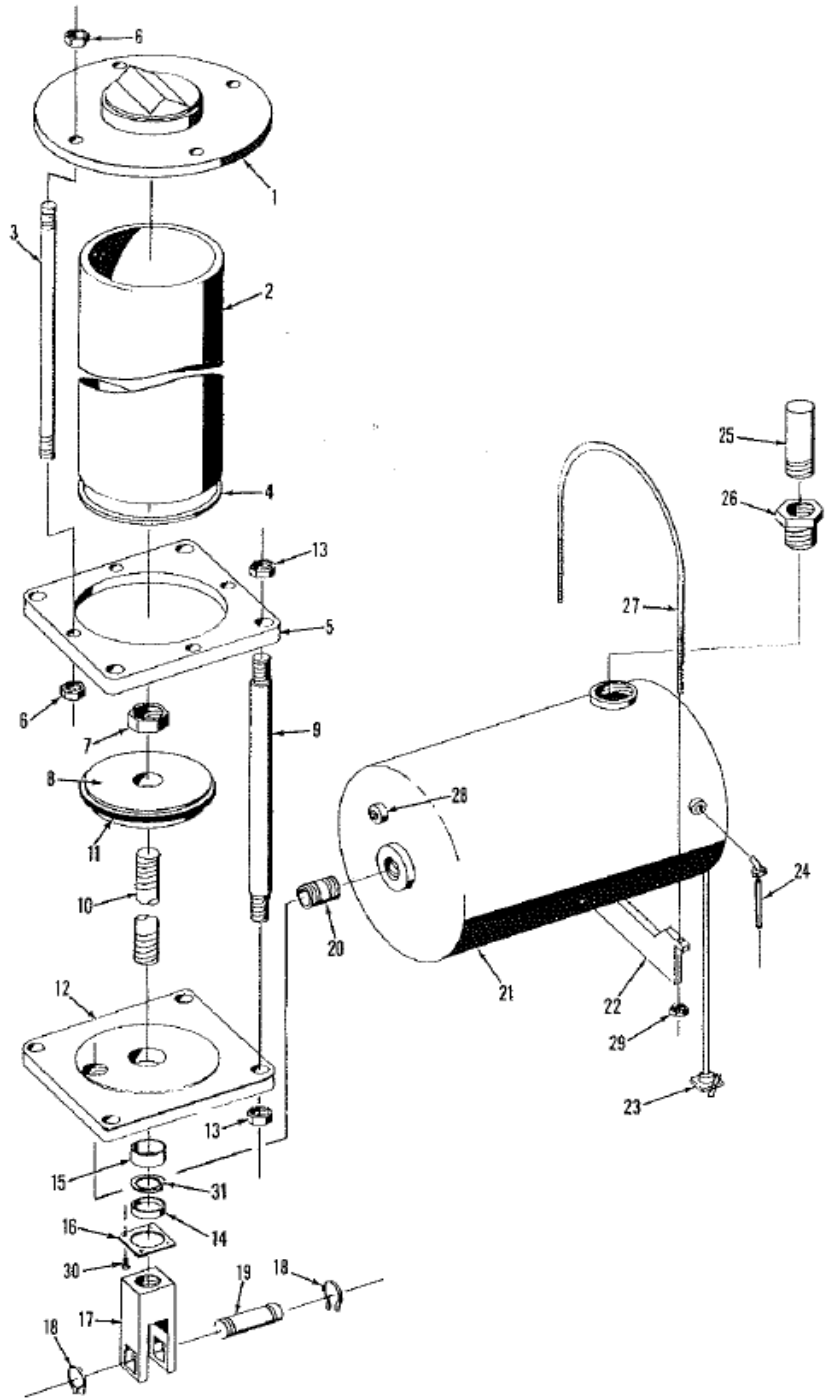


FORM A-6-B-2

AIR COUNTERBALANCE AND TANK

1. Cylinder Cap
2. Cylinder
3. Stud
4. Seal
5. Mounting Plate
6. Stud Nut
7. Piston Rod Nut
8. Piston
9. Tie Rod
10. Piston Rod
11. Piston Seal
12. Lower Cylinder Cover
13. Tie Rod Nut
14. Seal
15. Bushing
16. Retaining Plate
17. Clevis
18. Retaining Ring
19. Clevis Pin
20. Piping
21. Air Tank
22. Tank Bracket
23. Petcock
24. Air Line
25. Safety Valve
26. Bushing
27. Tank Rod
28. Fusible Plug
29. Tank Rod Nut
30. Retaining Plate Screws
31. Retaining Ring



861