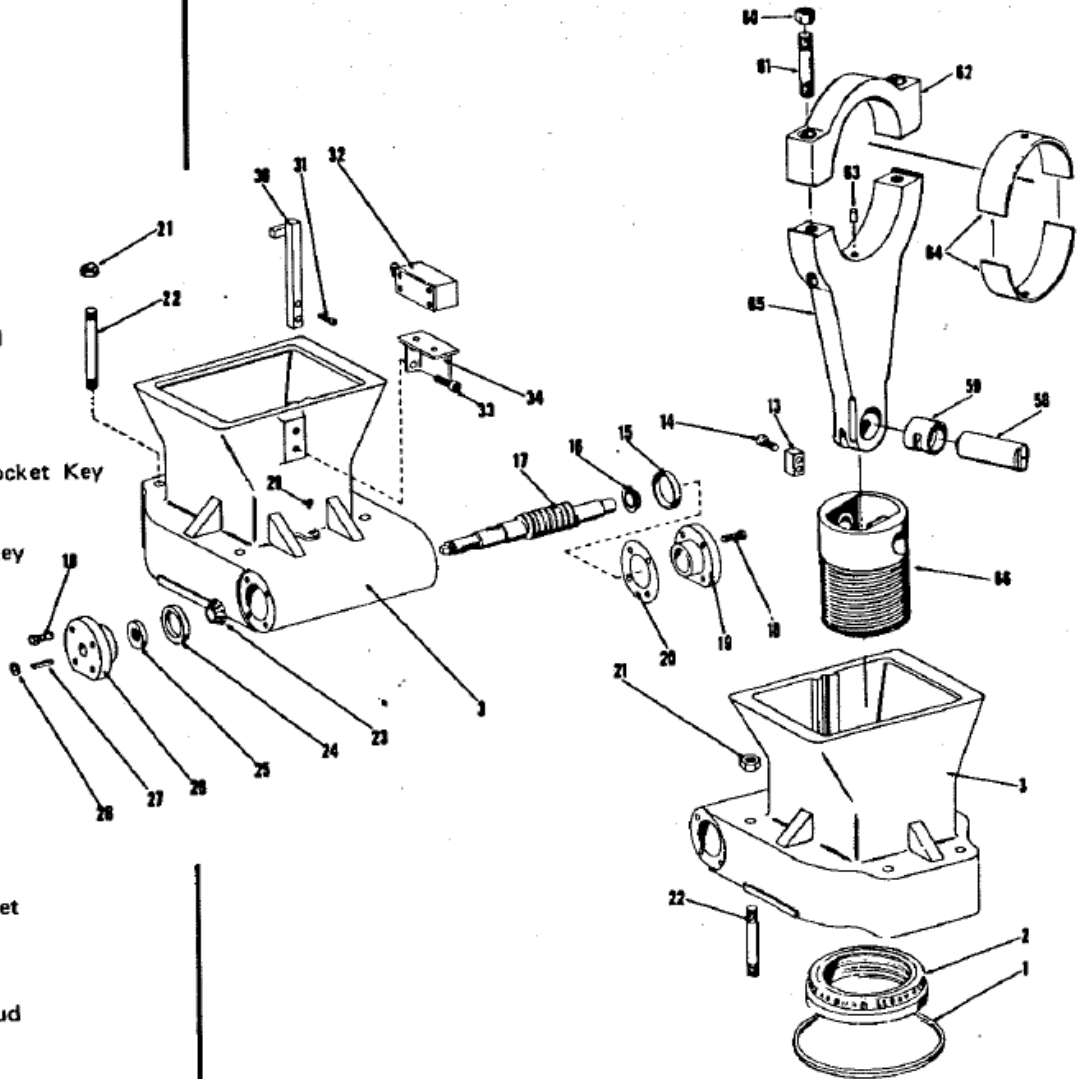


FORM A-13-D-2

BARREL ADJUSTMENT ASSEMBLY

WRIST PIN

- 1. Neoprene Oil Seal
- 2. Worm Nut
- 3. Barrel
- 13. Guide Key
- 14. Guide Key Screw
- 15. Bearing Cup
- 16. Bearing Cone
- 17. Worm Shaft
- 18. Bearing Cover Screw
- 19. Bearing Cover Rear
- 20. Shim
- 21. Nut
- 22. Barrel Mounting Stud
- 23. Bearing Cone
- 24. Bearing Cup
- 25. Oil Seal
- 26. Bearing Cover Front
- 27. Barrel Adjusting Sprocket Key
- 28. Snap Ring
- 29. Oil Plug
- 30. Limit Switch Cam Key



- 31. Screw
- 32. Limit Switch
- 33. Bracket Screw
- 34. Limit Switch Bracket
- 58. Wrist Pin
- 59. Wrist Pin Bushing
- *60. Nut
- *61. Connection Cap Stud
- *62. Connection Cap
- 63. Dowel
- 64. Eccentric Bushing
- *65. Connection
- 66. Connection Screw

*NOTE: "SE" Series Presses — One Piece Connections.

765