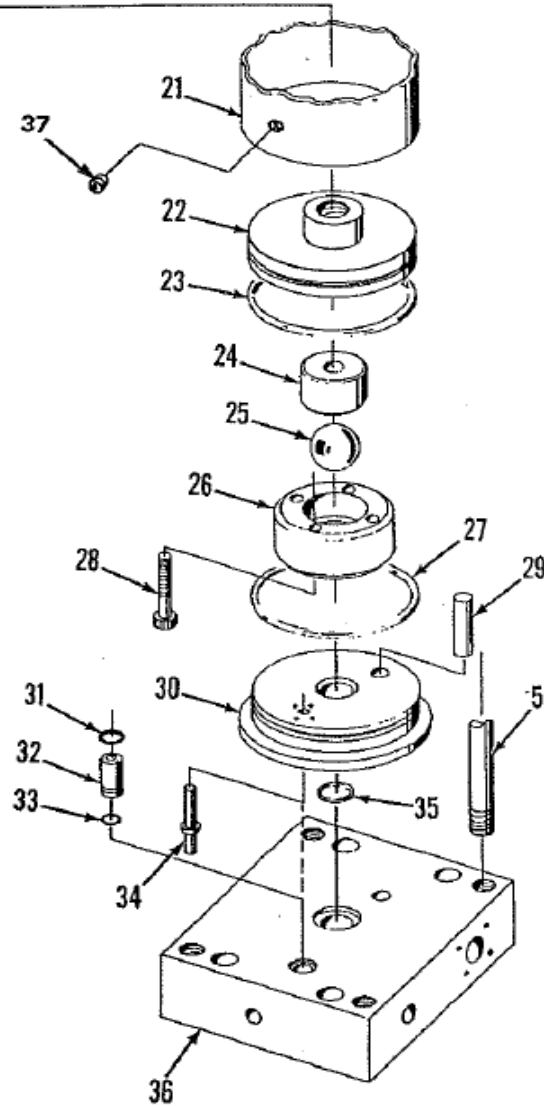
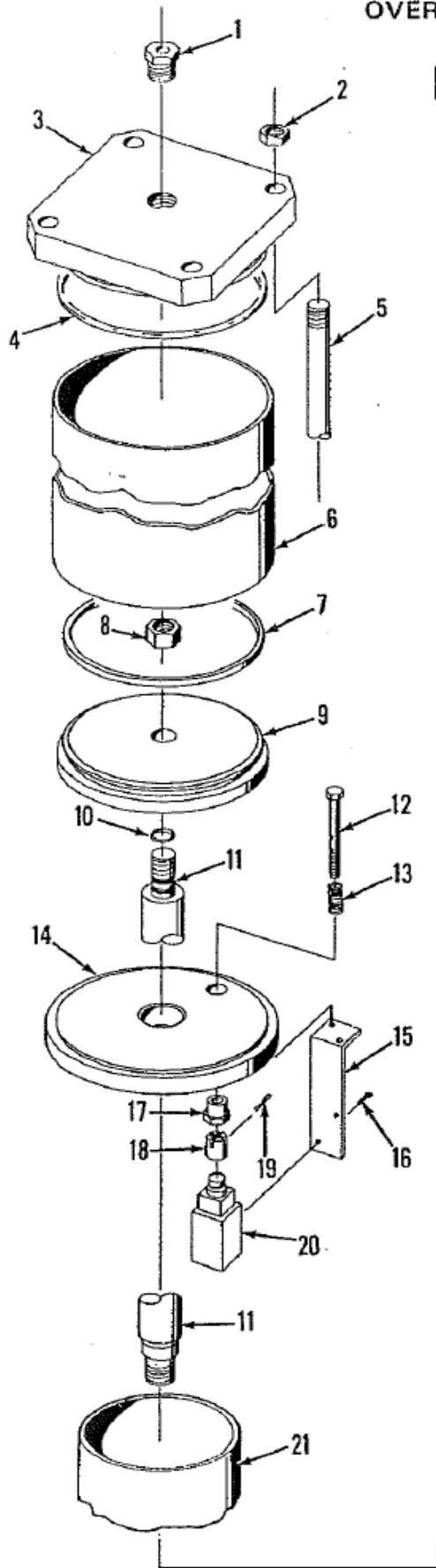


## OVERLOAD VALVE ASSEMBLY

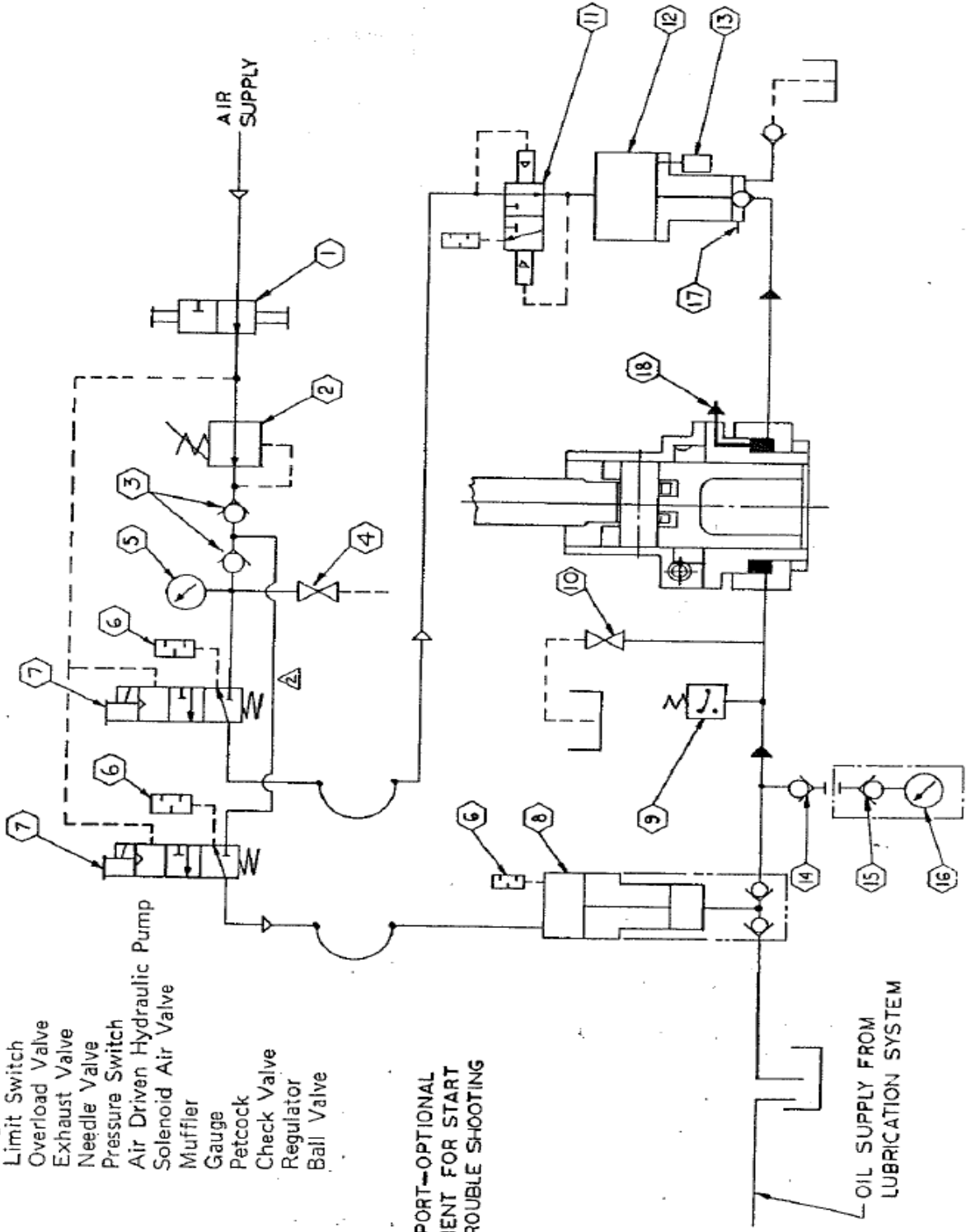


- |                        |                   |
|------------------------|-------------------|
| 1. Reducer             | 19. Cotter Pin    |
| 2. Nut                 | 20. Limit Switch  |
| 3. Cylinder Head       | 21. Cylinder      |
| 4. "O" Ring            | 22. Piston        |
| 5. Stud                | 23. "O" Ring      |
| 6. Cylinder            | 24. Ball Seat     |
| 7. Packing             | 25. Ball          |
| 8. Nut                 | 26. Ball Retainer |
| 9. Air Piston          | 27. "O" Ring      |
| 10. "O" Ring           | 28. Capscrew      |
| 11. Piston Rod         | 29. Dowel         |
| 12. Bolt               | 30. Orifice Plate |
| 13. Spring             | 31. "O" Ring      |
| 14. Intermediate Plate | 32. Check Valve   |
| 15. Limit Switch       | 33. "O" Ring      |
| 16. Screw              | 34. Pin           |
| 17. Bolt Guide         | 35. "O" Ring      |
| 18. Adjusting Nut      | 36. Manifold      |
|                        | 37. Vent Plug     |

# SCHEMATIC DIAGRAM

ITEM	QTY.	DESCRIPTION
18	1	Bleeder (1 each cylinder)
17	1	Vent Plug
16	1	Gauge
15	1	Socket
14	1	Plug
13	1	Limit Switch
12	1	Overload Valve
11	1	Exhaust Valve
10	1	Needle Valve
9	1	Pressure Switch
8	1	Air Driven Hydraulic Pump
7	2	Solenoid Air Valve
6	3	Muffler
5	1	Gauge
4	1	Petcock
3	2	Check Valve
2	1	Regulator
1	1	Ball Valve

SOURCE  
0-21852

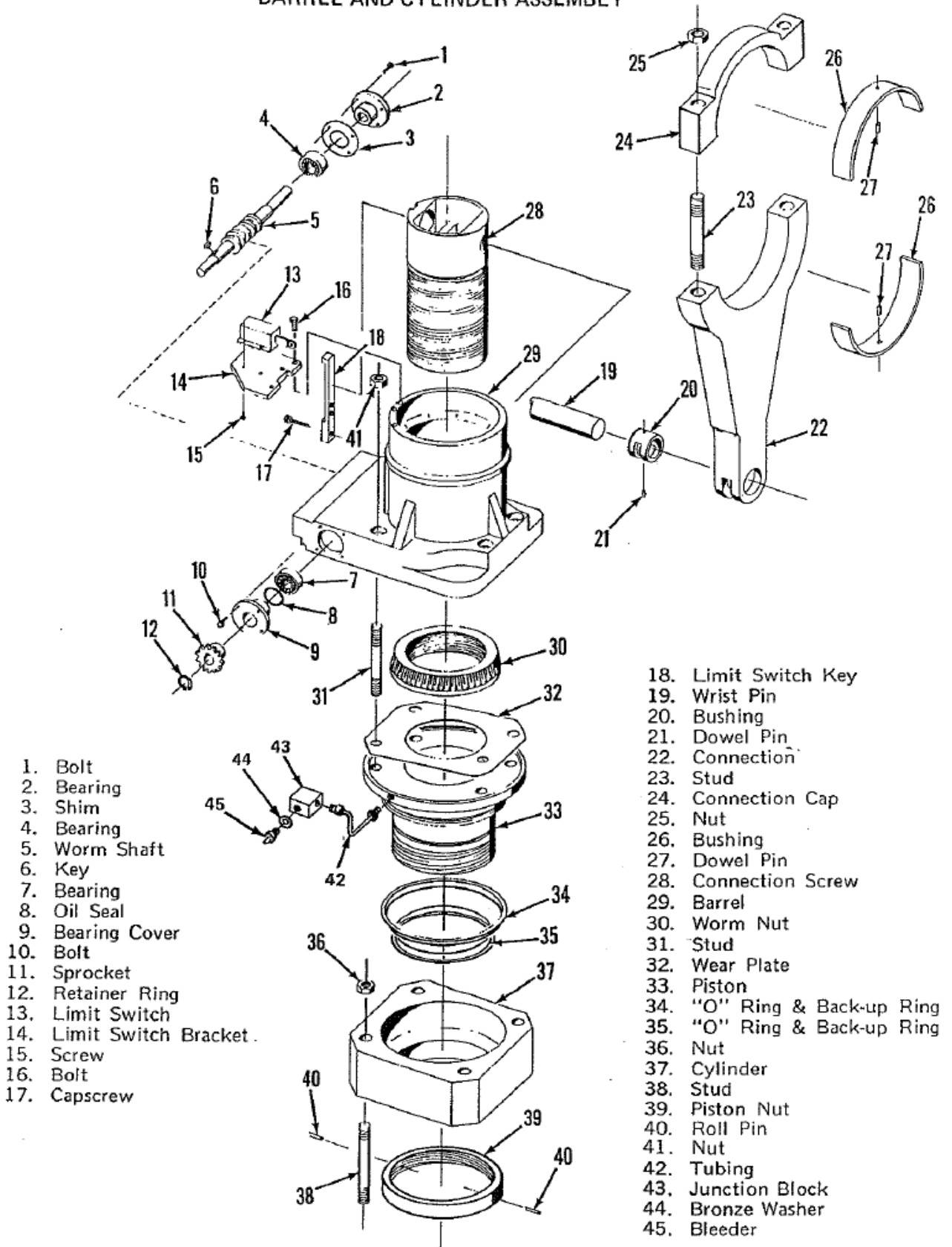


⊗ TEST PORT - OPTIONAL  
EQUIPMENT FOR START  
UP & TROUBLE SHOOTING

OIL SUPPLY FROM  
LUBRICATION SYSTEM

# PARTS LIST

## BARREL AND CYLINDER ASSEMBLY



- 1. Bolt
- 2. Bearing
- 3. Shim
- 4. Bearing
- 5. Worm Shaft
- 6. Key
- 7. Bearing
- 8. Oil Seal
- 9. Bearing Cover
- 10. Bolt
- 11. Sprocket
- 12. Retainer Ring
- 13. Limit Switch
- 14. Limit Switch Bracket
- 15. Screw
- 16. Bolt
- 17. Capscrew

- 18. Limit Switch Key
- 19. Wrist Pin
- 20. Bushing
- 21. Dowel Pin
- 22. Connection
- 23. Stud
- 24. Connection Cap
- 25. Nut
- 26. Bushing
- 27. Dowel Pin
- 28. Connection Screw
- 29. Barrel
- 30. Worm Nut
- 31. Stud
- 32. Wear Plate
- 33. Piston
- 34. "O" Ring & Back-up Ring
- 35. "O" Ring & Back-up Ring
- 36. Nut
- 37. Cylinder
- 38. Stud
- 39. Piston Nut
- 40. Roll Pin
- 41. Nut
- 42. Tubing
- 43. Junction Block
- 44. Bronze Washer
- 45. Bleeder