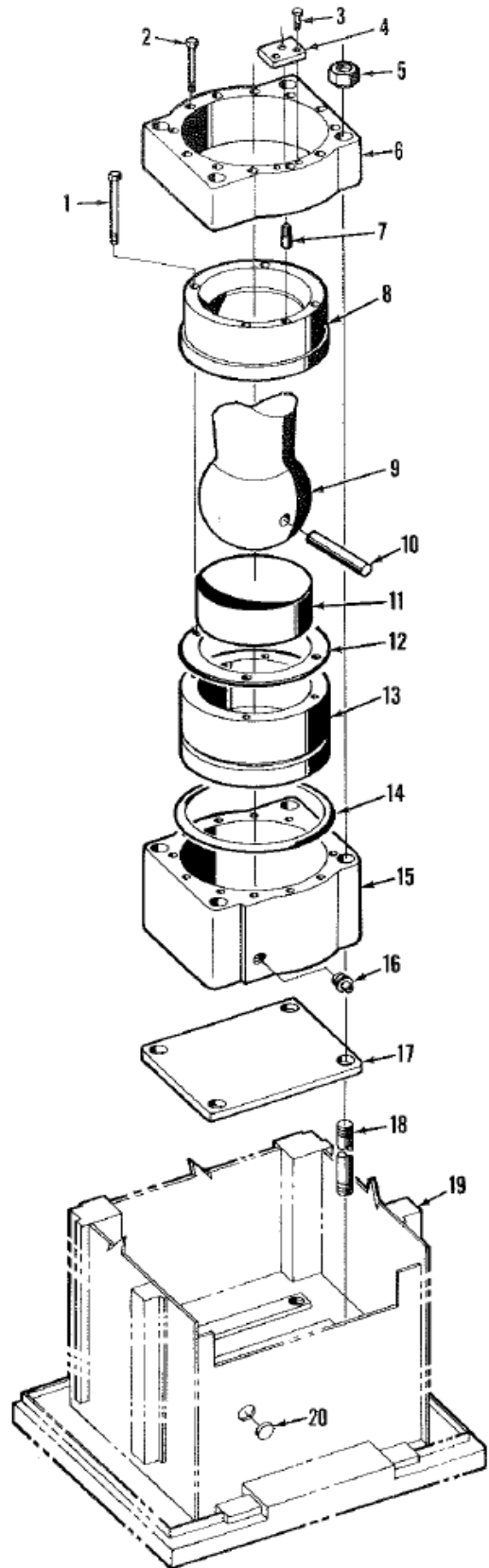
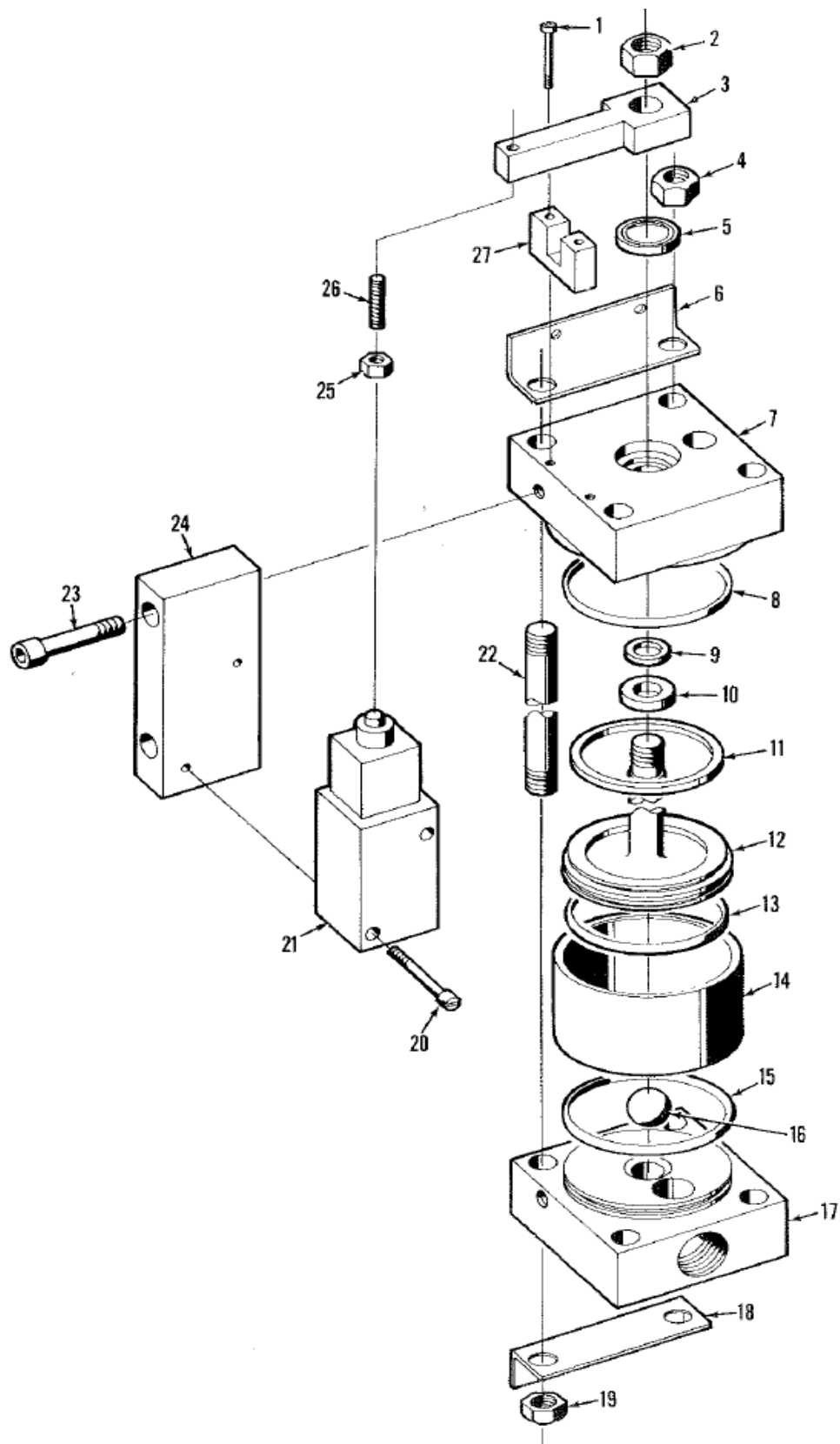


PARTS LIST

1. Socket Head Capscrew
2. Socket Head Capscrew
3. Hex Head Bolt
4. Retainer Plate
5. Hex Nut
6. Ball Cap Retainer
7. Shoulder Pin
8. Ball Cap
9. Ball
10. Pin
11. Ball Seat Insert
12. Shim
13. Piston
14. O-Ring & Backup Ring
15. Cylinder
16. Bleeder
17. Spacer Plate (When Required)
18. Stud
19. Slide
20. Plug



1. Socket Head Capscrew
2. Hex Nut
3. Limit Switch Lever
4. Hex Nut
5. Oil Seal
6. Valve Mounting Bracket
7. Overload Valve Head
8. O-Ring
9. Packing
10. Cushion Stop
11. Packing
12. Overload Piston
13. O-Ring
14. Overload Cylinder
15. O-Ring
16. Steel Ball
17. Overload Valve Seat
18. Valve Mounting Bracket
19. Hex Nut
20. Screw
21. Limit Switch
22. Stud
23. Cap Screw
24. Limit Switch Bracket
25. Lock Nut
26. Socket Set Screw
27. Lever Guide Bracket



SOURCE
M-4905

SCHEMATIC DIAGRAM

ITEM	QTY.	DESCRIPTION
14	1	Plug
13	1	Bleeder
*12	1	Gauge
*11	1	Socket
10	1	Plug
9	1	Bleeder
8	1	Air Driven Hydraulic Motor
7	1	Pressure Switch
6	1	Hydraulic Overload Valve
5	1	Solenoid Air Valve
4	1	Muffler
3	1	Gauge
2	1	Regulator
1	1	Check Valve

* TEST PORT -- Optional
Equipment for Start
Up and Trouble Shooting.

