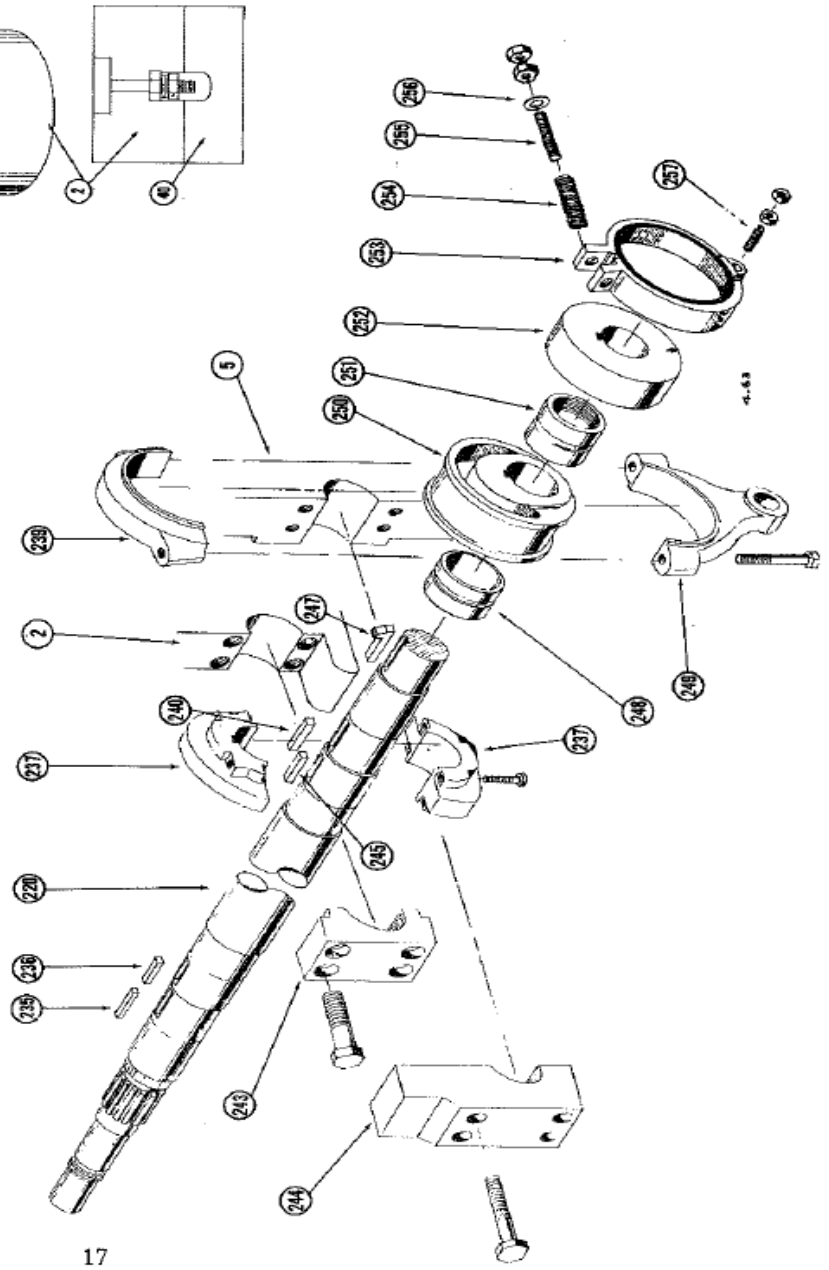


ECCENTRIC SHAFT - COUNTERBALANCE

- 248. Center Bearing Bushing
- 249. Eccentric Strap
- 250. Eccentric
- 251. RH Bearing Bushing
- 252. Brake Collar *
- 253. Brake Strap *
- 254. Brake Strap Spring *
- 255. Brake Adjusting Stud *
- 256. Washer *
- 257. Brake Strap Stud *

- 2. Crown
- 5. RH Housing
- 40. Crosshead
- 220. Eccentric Shaft
- 235. Key
- 236. Key
- 237. Cam
- 239. Eccentric Cap
- 240. Key
- 243. Center Bearing
- 244. RH Main Bearing Cap
- 245. Key
- 247. Key

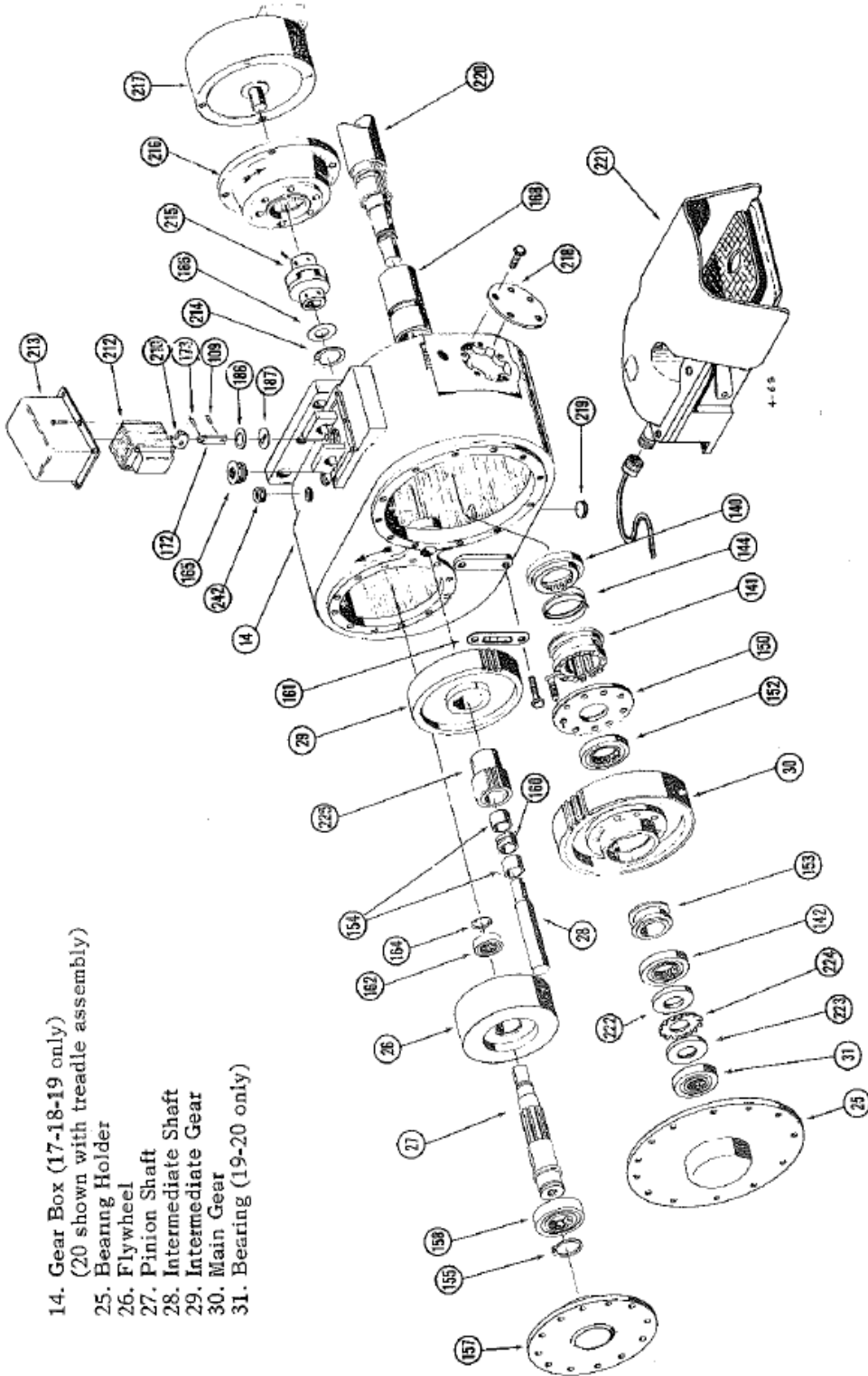
*17-18-19 only



- 258. Counterbalance Rod Upper Nut
- 259. Counterbalance Spring Washer
- 260. RH Counterbalance Spring
- 261. RH Counterbalance Spring
- 262. RH Counterbalance Spring Rod
- 263. Counterbalance Plug
- 264. Counterbalance Rod Lower Nut
- 265. Roll Pin
- 387. LH Counterbalance Spring **
- 388. LH Counterbalance Spring **
- 389. LH Counterbalance Spring Rod **
- 390. LH Main Bearing Cap **

**not shown:

OVERDRIVE GEARBOX

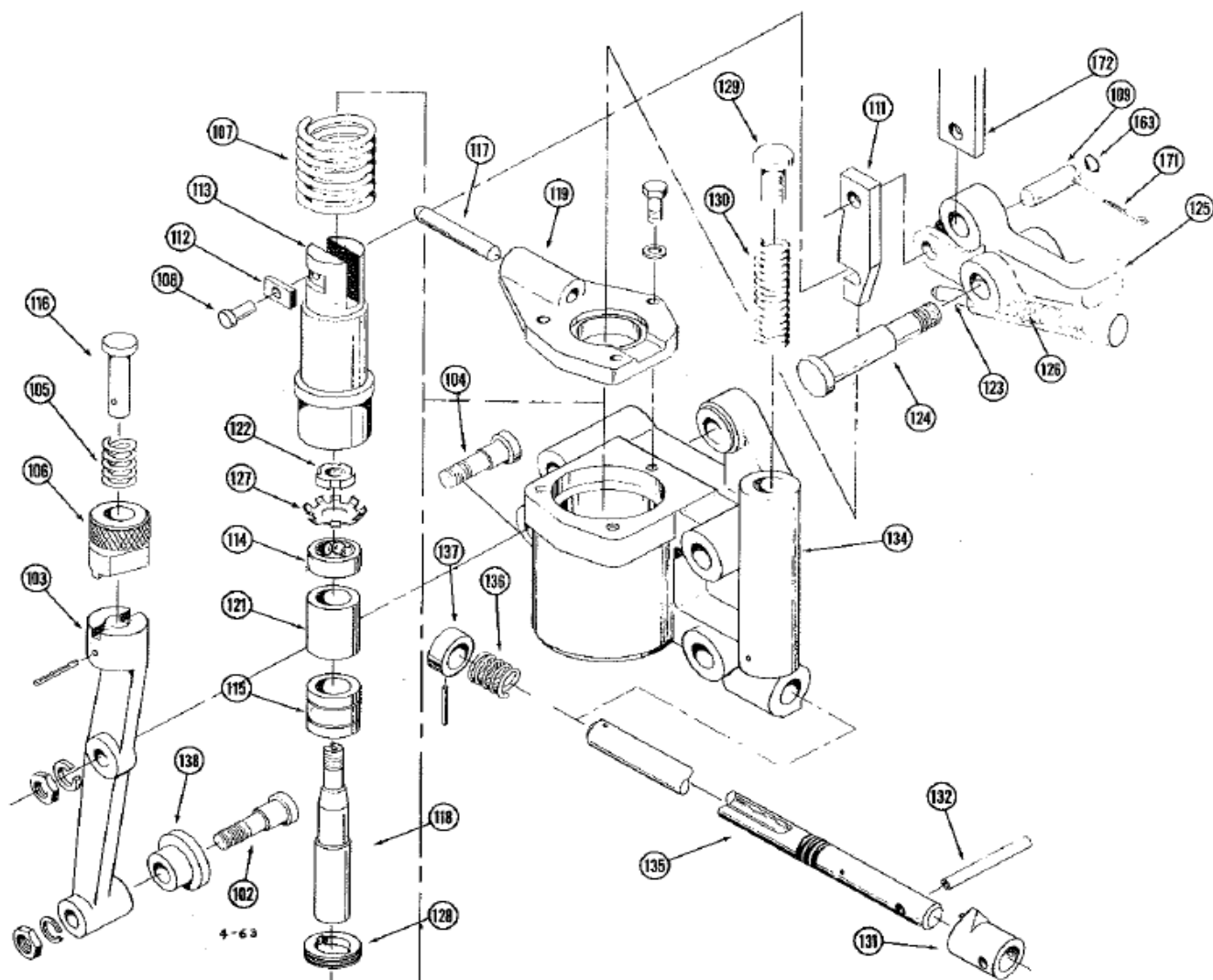


- 14. Gear Box (17-18-19 only)
(20 shown with treadle assembly)
- 25. Bearing Holder
- 26. Flywheel
- 27. Pinion Shaft
- 28. Intermediate Shaft
- 29. Intermediate Gear
- 30. Main Gear
- 31. Bearing (19-20 only)

- 109. Pin
- 140. Single Stroke Cam
- 141. LH Sleeve Clutch
- 142. Bearing
- 144. Clutch Sleeve Spring
- 150. LH Clutch Ring
- 152. Bearing
- 153. Spacing Collar
- 154. Bushing
- 155. Snap Ring
- 157. Pinion Shaft Bearing Holder
- 158. Bearing
- 160. Spacer
- 161. Oil Level Sight
- 162. Bearing
- 164. Snap Ring
- 165. Pipe Plug
- 166. Oil Slinger
- 168. LH Bearing Bushing
- 172. Solenoid Plunger Link *
- 173. Link Pin *
- 186. Gasket Retainer *
- 187. Gasket *
- 210. Solenoid Plunger *
- 212. Solenoid *
- 213. Solenoid cover *
- 214. Snap Ring
- 215. Flexible Coupling
- 216. Motor Adapter
- 217. Motor
- 218. Cover Plate*
- 219. Drain Plug
- 220. Eccentric Shaft
- 221. Electric Foot Switch*
- 222. Spacer (17-18 only)
- 223. Nut
- 224. Lock Washer
- 225. Main Pinion
- 242. Pipe Plug

*17-18-19 only

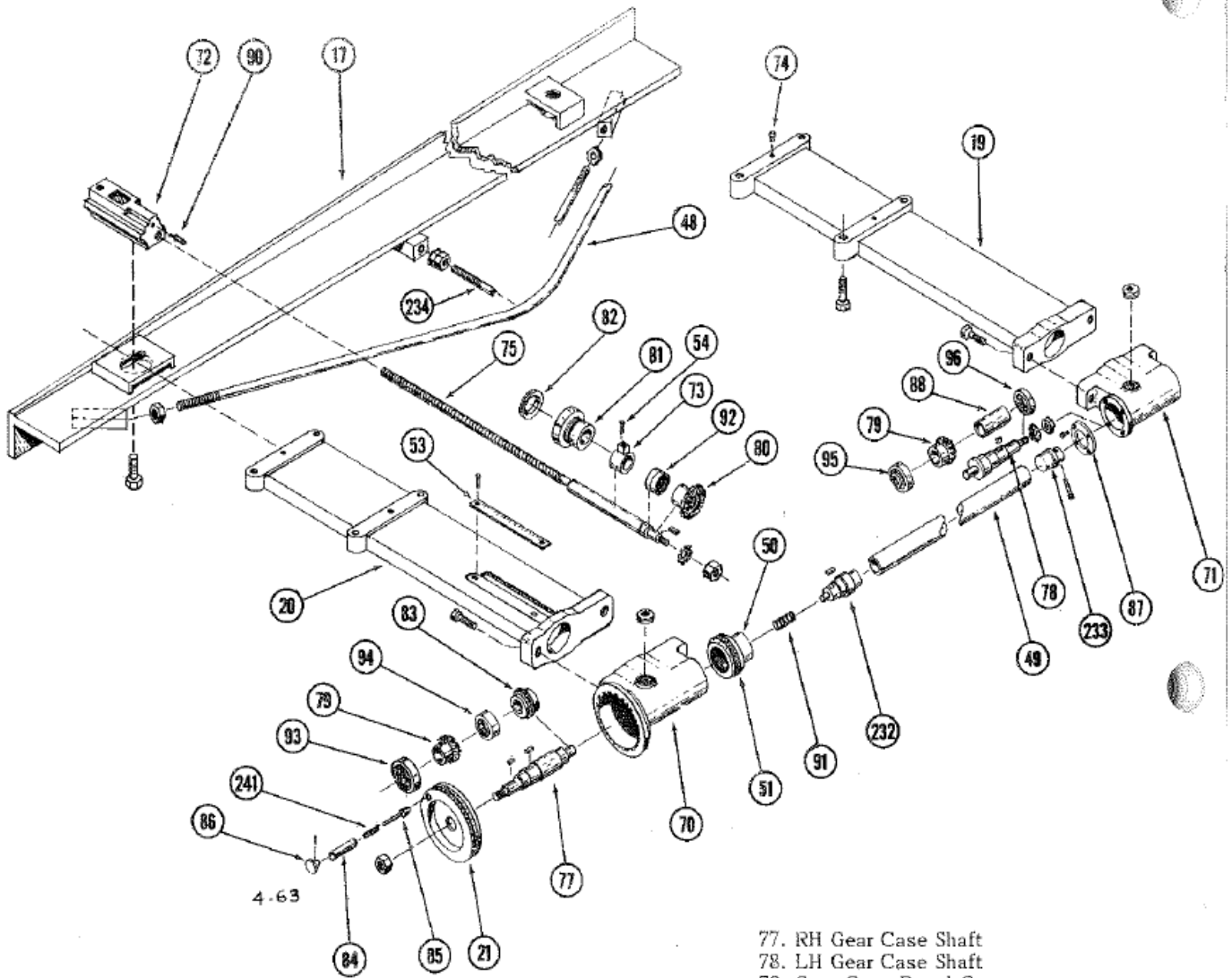
LATCH BRACKET



- 102. Cam Roller Shaft
- 103. Cam Lever
- 104. Cam Lever Pin
- 105. Selector Knob Spring
- 106. Selector Knob
- 107. Throwout Spring
- 108. Throwout Pin
- 109. Latch Pin
- 111. Latch
- 112. Throwout Key
- 113. Throwout
- 114. Throwout Ball Bearing
- 115. Throwout Needle Bearing
- 116. Selector Knob Pin
- 117. Sliding Pin
- 118. Throwout Shaft
- 119. Throwout Housing Cover
- 121. Spacing Collar
- 122. Lock Nut

- 123. Latch Spring Pin
- 124. Bell Crank Pin
- 125. Bell Crank
- 126. Latch Spring
- 127. Lock Washer
- 128. Throwout Shaft Collar
- 129. Treadle Spring Plunger
- 130. Treadle Spring
- 131. Locking Bar Indicator
- 132. Locking Bar Pin
- 134. Throwout Housing
- 135. Locking Bar
- 136. Locking Bar Spring
- 137. Locking Bar End Collar
- 138. Cam Roller
- 163. Snap Ring (17-18 only)
- 171. Cotter Pin (19-20 only)
- 172. Solenoid Plunger Link (17/18/19 only)

MANUAL BACKGAGE



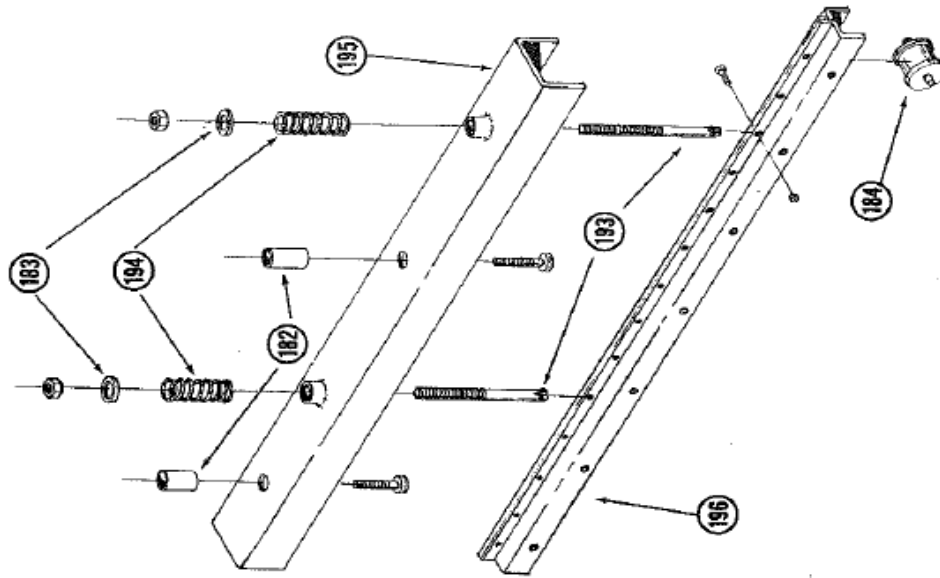
- 17. Backgage Bar
- 19. LH Backgage Bracket
- 20. RH Backgage Bracket
- 21. Backgage Handwheel
- 48. Backgage Brace Rod
- 49. Backgage Connection Shaft
- 50. Backgage Locking Sleeve
- 51. Locking Sleeve Scale
- 53. Bracket Scale
- 54. Adjusting Screw, Indicator Nut
- 70. RH Gear Case
- 71. LH Gear Case
- 72. Backgage Slide
- 73. Indicator Nut
- 74. Bracket Dowel
- 75. RH Adjusting Screw

- 77. RH Gear Case Shaft
- 78. LH Gear Case Shaft
- 79. Gear Case Bevel Gear
- 80. Adjusting Screw Bevel Gear
- 81. Retainer Bushing
- 82. Retainer Bushing Nut
- 83. Coupling Gear
- 84. Handle
- 85. Locking Pin
- 86. Knob
- 87. LH Gear Case Ring
- 88. Spacing Collar LH Shaft
- 89. LH Adjusting Screw **
- 90. Stop Pin
- 91. Locking Sleeve Spring
- 92. Adjusting Screw Double Bearing
- 93. RH Bearing RH Shaft
- 94. LH Bearing RH Shaft
- 95. RH Bearing LH Shaft
- 96. LH Bearing LH Shaft
- 232. RH Trunnion-Connection Shaft
- 233. LH Trunnion-Connection Shaft
- 234. Backgage Brace Rod Bolt
- 241. Handle Spring

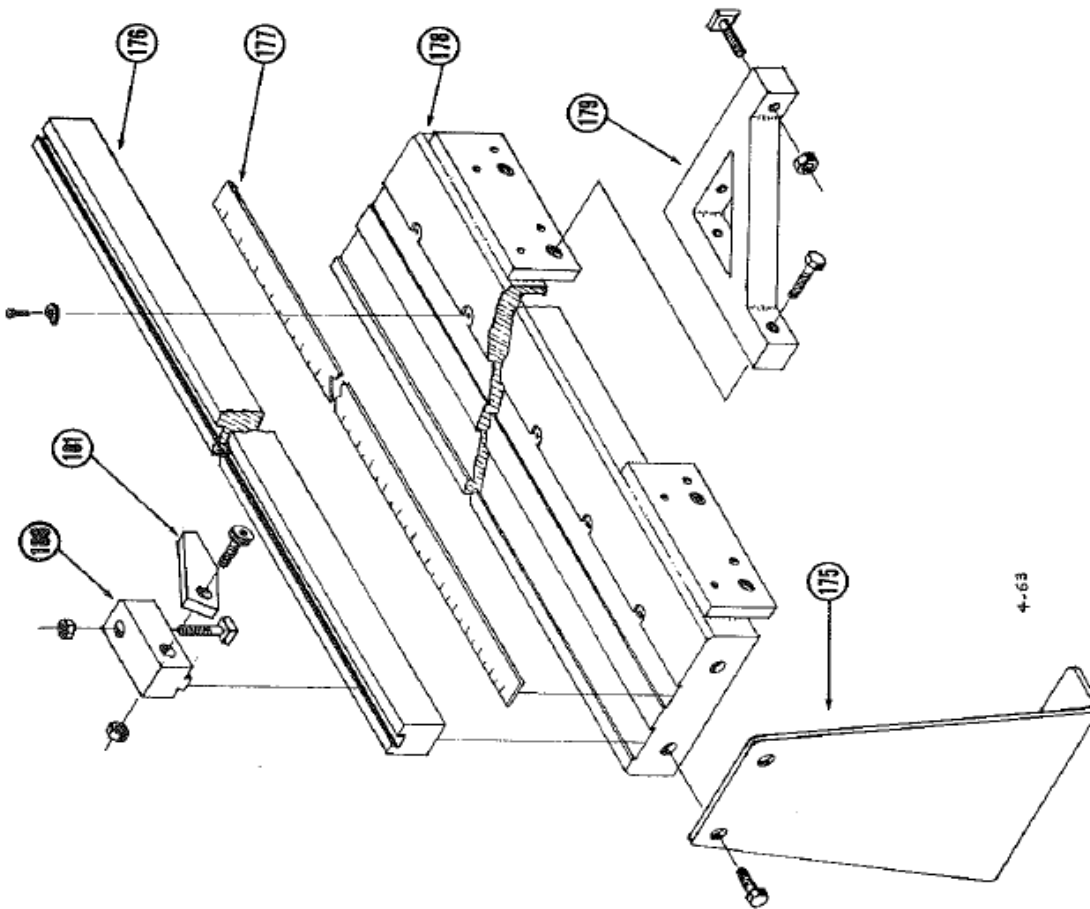
20

**not shown

SIDE EXTENSION GAGE - MAGNETIC ROLLERS



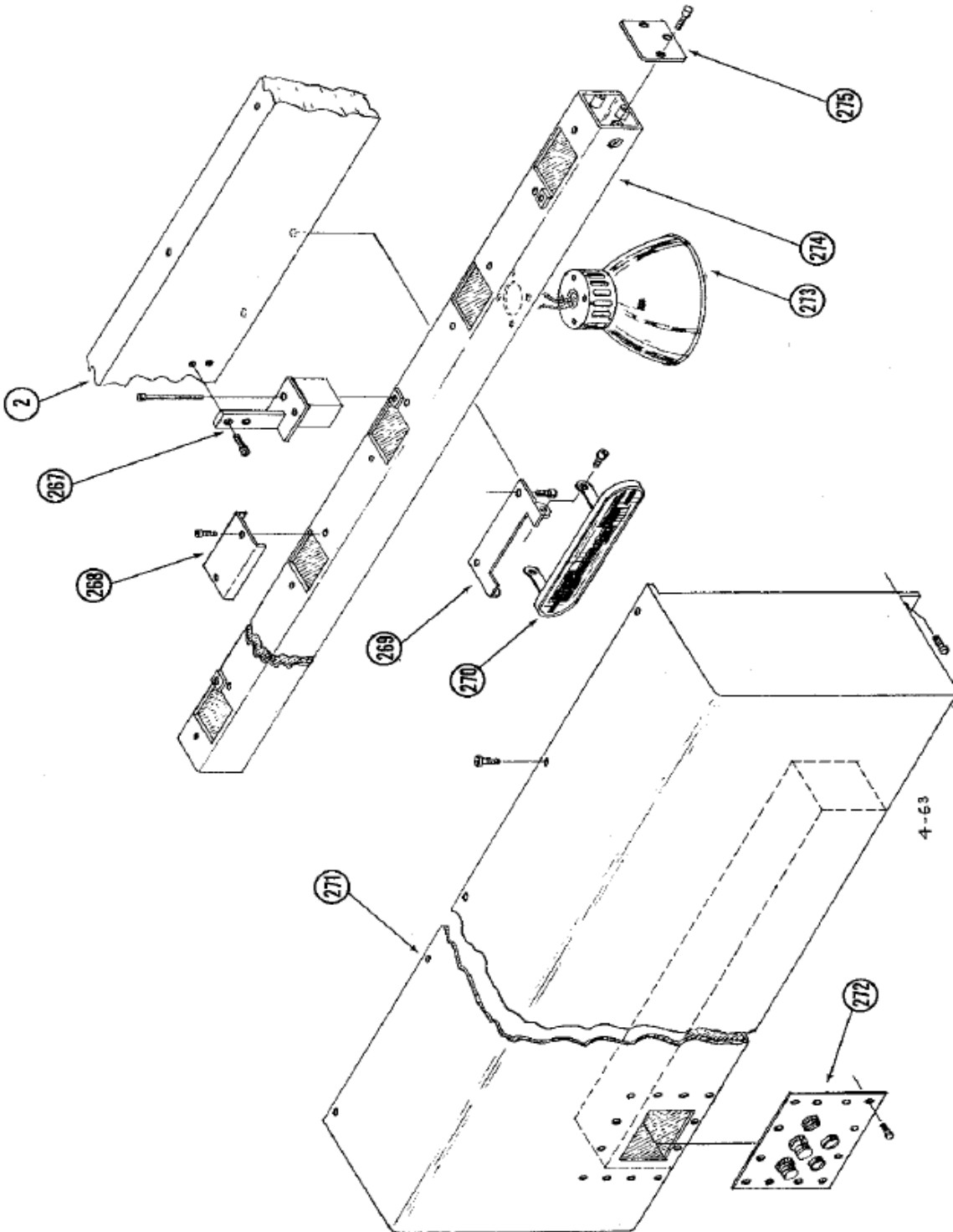
- 182. Roller Mounting Channel Collar
- 183. Washer
- 184. Magnetic Roller
- 193. Support Screw
- 194. Roller Mounting Channel Spring
- 195. Roller Mounting Channel
- 196. Magnetic Roller Channels



- 175. Outer Gage Support
- 176. Squaring Gage Bar
- 177. Extension Gage Scale
- 178. Extension Gage Arm
- 179. Reversible Bracket
- 180. Adjustable Stop Block
- 181. Adjustable Stop Arm

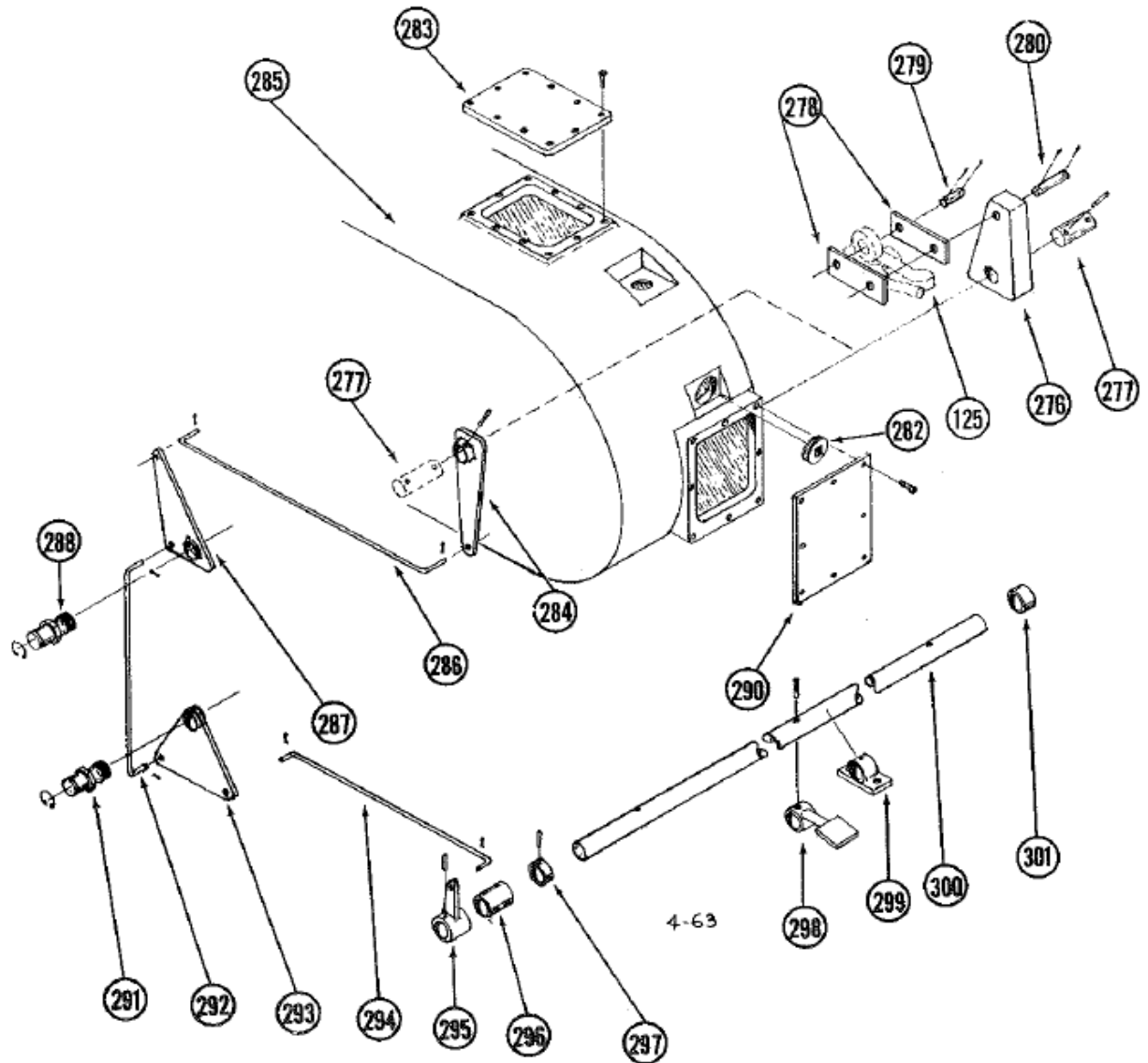
4-63

HOOD - LIGHTBAR



- 2. Crown
- 267. Light Bar Bracket
- 268. Top Plate
- 269. Mirror Bracket
- 270. Mirror
- 271. Hood
- 272. Push Button Panel
- 273. Reflector
- 274. Light Bar
- 275. End Plate

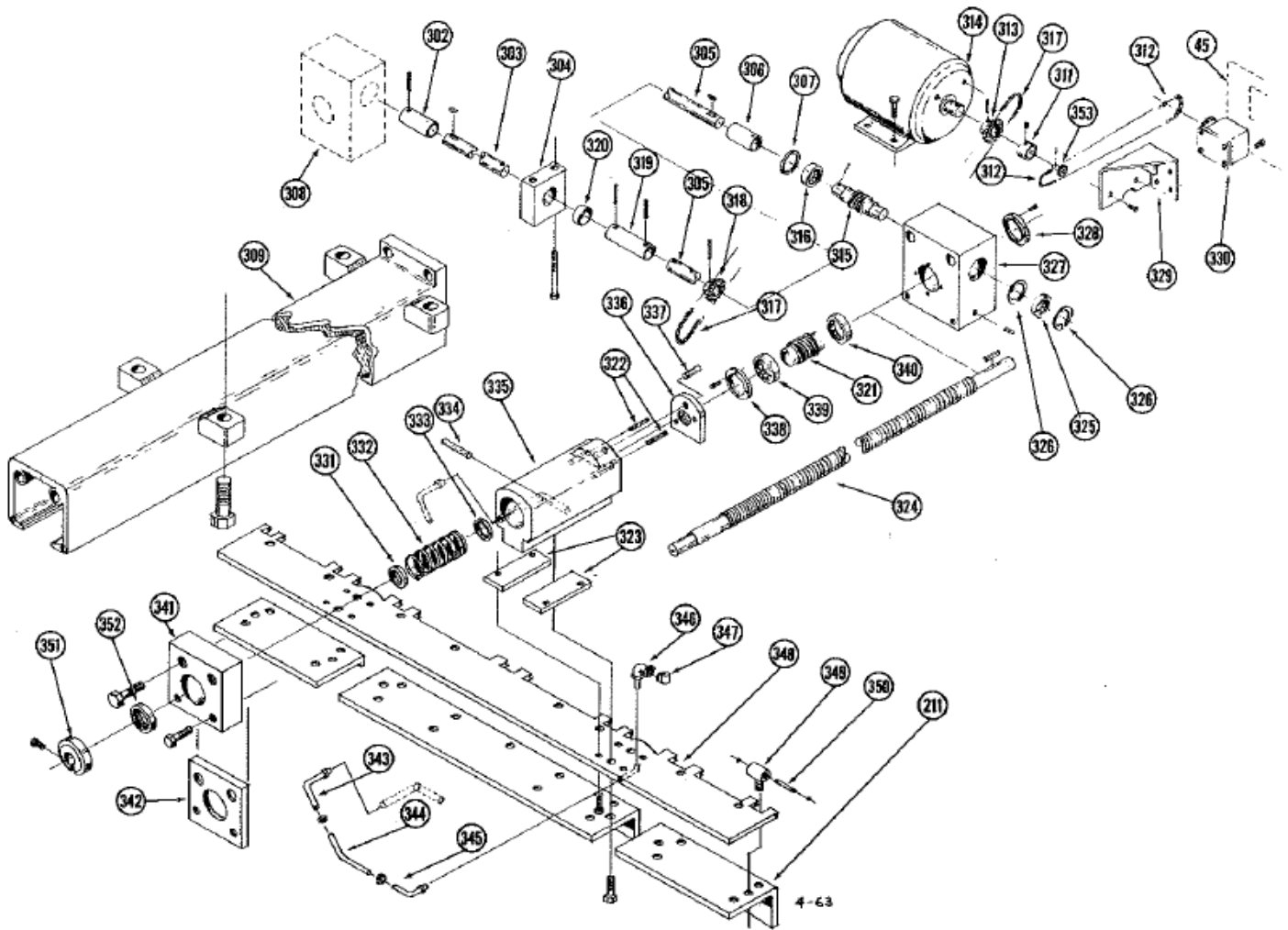
TREADLE ASSEMBLY SERIES NO. 20



- 125. Bell Crank
- 276. Inside Lever
- 277. Outside Lever Pin
- 278. Link
- 279. Link Pin
- 280. Inside Lever Pin
- 282. Pipe Plug
- 283. Top Cover
- 284. Outside Lever
- 285. Gear Box
- 286. Top Treadle Connection
- 287. Connection Lever
- 288. Stud Pin

- 290. Front Cover
- 291. Stud Pin
- 292. Vertical Treadle Connection
- 293. Bell Crank
- 294. Bottom Treadle Connection
- 295. Treadle Lever
- 296. Bushing
- 297. Collar
- 298. Treadle
- 299. Treadle Bearing
- 300. Treadle Shaft
- 301. Bushing

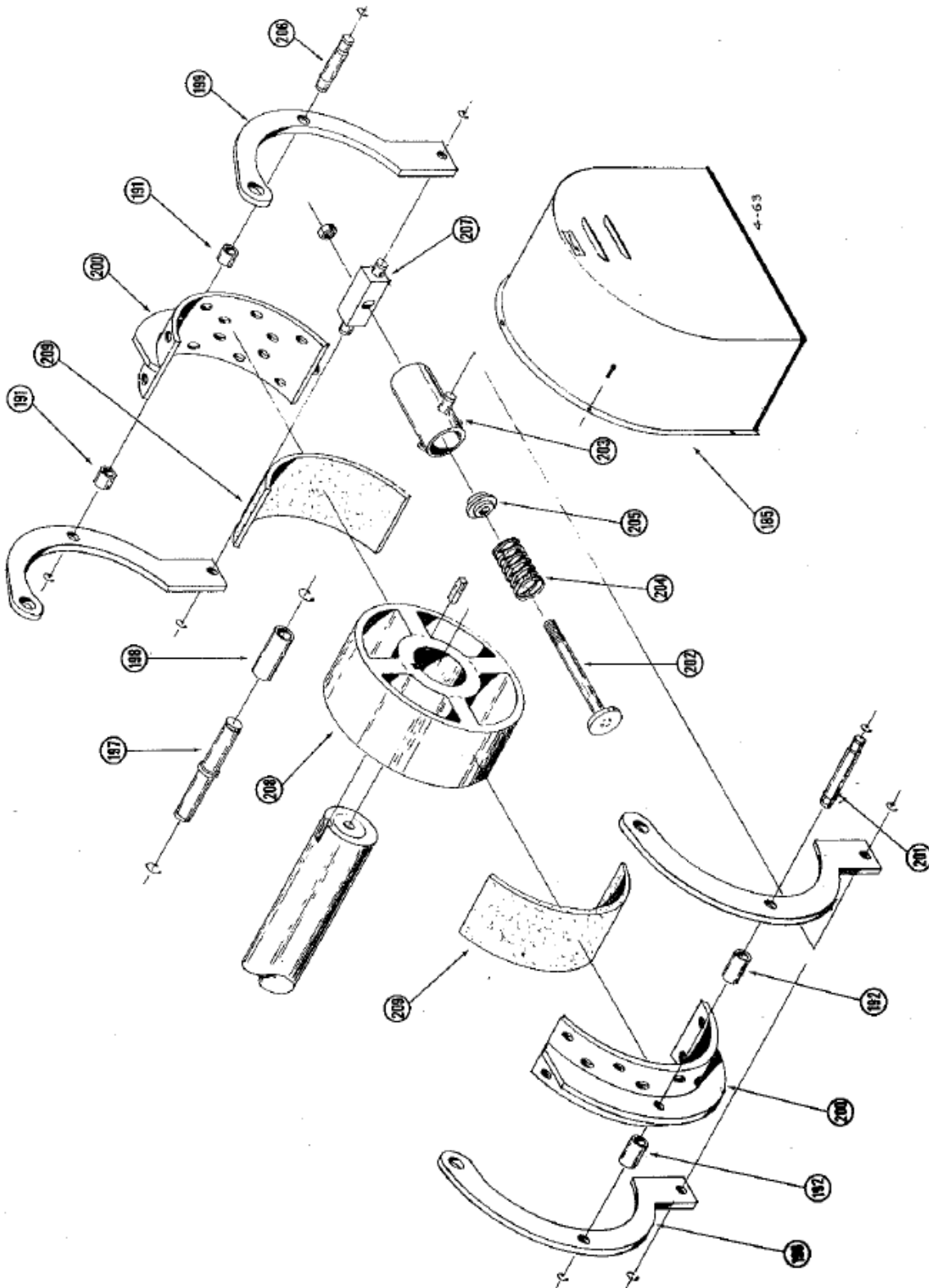
POWER DRIVEN BACKGAGE SERIES NO. 20



- 45. Crosshead Plate
- 211. Hinged Backgage Bar
- 302. Coupling
- 303. RH Connection Shaft
- 304. Center Bearing
- 305. LH Connection Shaft
- 306. Coupling
- 307. Snap Ring
- 308. RH Gear Box (same as LH)
- 309. LH Bracket (RH Same)
- 311. Sprocket Coupling
- 312. Micro Chain
- 313. Chain Sprocket-Motor
- 314. Motor
- 315. Worm
- 316. Bearing
- 317. Chain
- 318. Sprocket
- 319. Center Shaft Coupling
- 320. Bearing
- 321. Worm Wheel
- 322. Spring
- 323. Bracket Liner
- 324. LH Adjusting Shaft (RH Same)
- 325. Bearing
- 326. Snap Ring

- 327. LH Gear Box (RH Same)
- 328. Bearing Retainer
- 329. Counter Bracket
- 330. Counter
- 331. Spring Collar
- 332. Spring
- 333. Spring Collar
- 334. Felt Wicking
- 335. Slide
- 336. Slide Spring Retainer
- 337. Dowel
- 338. Bearing Retainer
- 339. Bearing
- 340. Bearing
- 341. Back Plate
- 342. Back Plate Bearing Retainer
- 343. Copper Tubing with Pipe Plug
- 344. Copper Tubing
- 345. Copper Tubing with Pipe Plug
- 346. Elbow and Nipple
- 347. Oil Cup
- 348. Backgage Plate
- 349. Hinge Bolt
- 350. Hinge Bolt Pin
- 351. Adjusting Collar
- 352. Bearing
- 353. Micropitch Sprocket

BRAKE ASSEMBLY SERIES NO. 20



- 202. Spring Rod
- 203. Spring Pod
- 204. Spring
- 205. Bushing
- 206. Brake Shoe Pin
- 207. Trunnion
- 208. Brake Collar
- 209. Brake Lining

- 185. Brake Cover
- 191. Brake Shoe Spacer
- 192. Brake Shoe Spacer
- 197. Pivot Pin
- 198. Pivot Spacer
- 199. Brake Lever Arm
- 200. Brake Shoe
- 201. Brake Shoe Pin