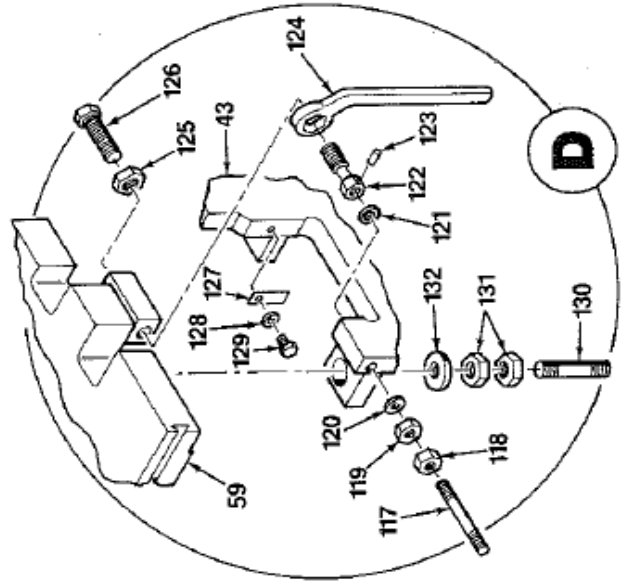
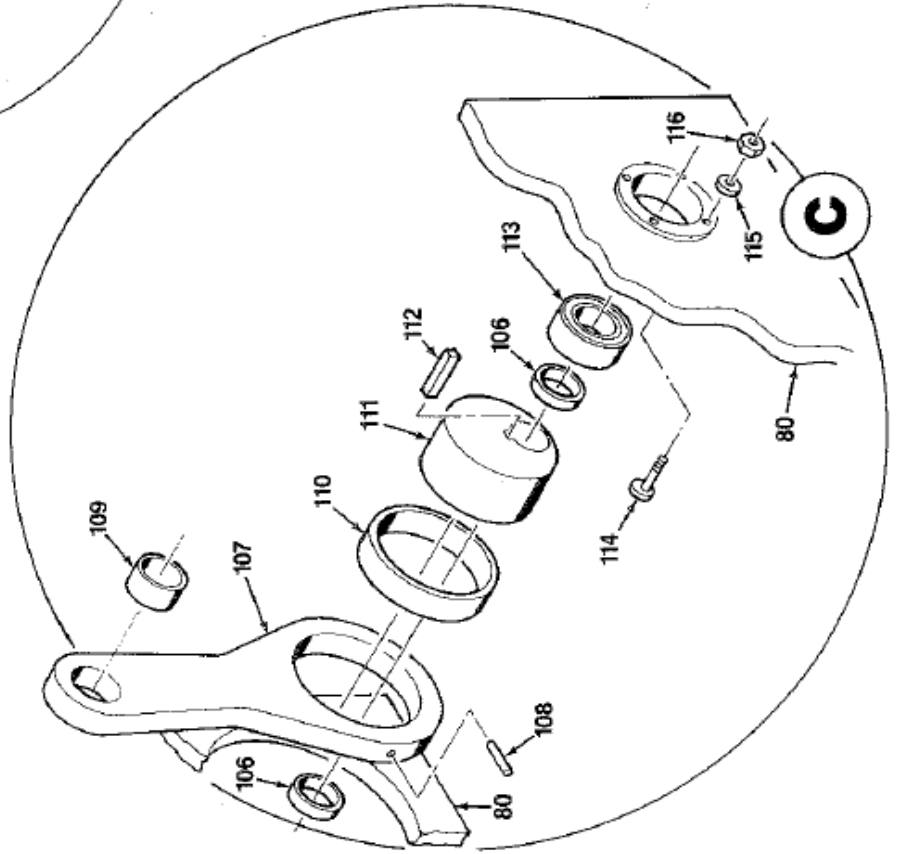
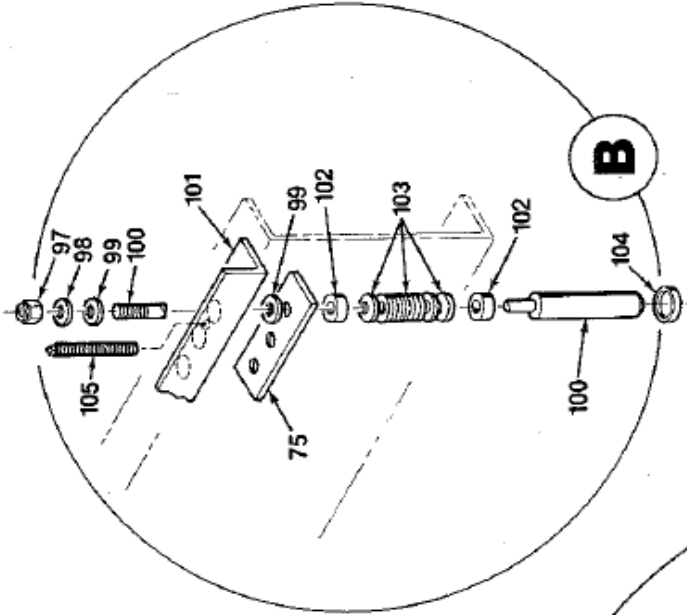
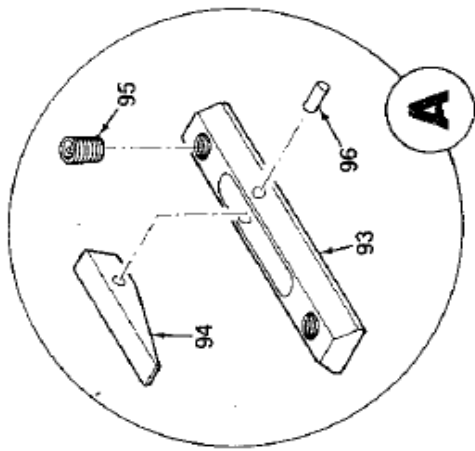


FRAME

- | | | |
|--------------------------------------|------------------------------------|--|
| 1. Ram | 32. Control Box | 63. Washer |
| 2. Lubricator Bracket | 33. Push Button Box | 64. Rear Cover |
| 3. Bracket Mounting Screw | 34. Bearing Support Mounting Screw | 65. Rear Cover Mounting Screw |
| 4. Lubricator | 35. R.H. Bearing Support | 66. Connection Pin |
| 5. Lubricator Mounting Screw | 36. Retaining Ring | 67. Connection Pin Retainer |
| 6. Washer | 37. Bearing | 68. Retainer Mounting Screw |
| 7. Backgage (see separate part list) | 38. Retaining Ring | 69. L.H. Gib Liner Backing |
| 8. Holddown Foot Lift Block | 39. Bed Shoe | 70. Motor Drive and Gearbox (see separate part list) |
| 9. Lift Block Mounting Screw | 40. Shoe Lock | 71. Solenoid Valve |
| 10. Moving Blade | 41. Screw | 72. Valve Mounting Screw |
| 11. Reverse Key Plow Bolt | 42. Bed Beam Screw | 73. Filter/Regulator/Lubricator |
| 12. Washer | 43. R.H. Housing | 74. Mounting Screw |
| 13. Hex Nut | 44. Side Gage | 75. Holddown Assembly |
| 14. Brace Rod | 45. Side Gage Mounting Screw | 76. Holddown Mounting Screw |
| 15. Hex Nut | 46. Scale | 77. L.H. Knife Guard |
| 16. Gib Liner | 47. Scale Clamp Screw | 78. R.H. Knife Guard |
| 17. Gib Shim | 48. Scale Clamp Washer | 79. Knife Guard Mounting Screw |
| 18. Gib Liner Mounting Screw | 49. Front Bracket | 80. L.H. Housing |
| 19. Gib Spacer | 50. 'V' - Head Bolt | 81. L.H. Holddown Guard |
| 20. Gib Spacer Mounting Screw | 51. Hex Nut | 82. R.H. Holddown Guard |
| 21. Limit Switch Cam | 52. Liner Backing Mounting Screw | 83. Holddown Guard Mounting Screw |
| 22. Cam Mounting Screw | 53. R.H. Gib Liner Backing | 84. Roll Pin |
| 23. Washer | 54. Fixed Blade | 85. Holddown End Guard |
| 24. Limit Switch | 55. Reverse Key Plow Bolt | 86. End Guard Mounting Screw |
| 25. Limit Switch Mounting Screw | 56. Bolt Pocket Cover | 87. Pillow Block Bracket |
| 26. Limit Switch Mounting Block | 57. Pocket Cover Screw | 88. Bracket Mounting Screw |
| 27. Block Mounting Screw | 58. Bed Beam | 89. Washer |
| 28. Washer | 59. Bed | 90. Pillow Block |
| 29. Push Button Bracket | 60. Eccentric Shaft | 91. Pillow Block Mounting Screw |
| 30. Control Bracket | 61. Rear Chute and Support | 92. Foot Switch |
| 31. Bracket Mounting Screw | 62. Chute Mounting Screw | |



FRAME DETAILS

DISAPPEARING STOP - DETAIL A

- 93. Disappearing Stop Bracket
- 94. Disappearing Stop
- 95. Lock Screw
- 96. Disappearing Stop Pin

HOLDDOWN & FOOT - DETAIL B

- 97. Elastic Stop Nut
- 98. Washer
- 99. Upper Holddown Foot Washer
- 100. Holddown Foot
- 101. Holddown Foot Lift Angle
- 102. Holddown Foot Spacer
- 103. Disc Spring Washer
- 104. Holddown Foot Cup
- 105. Jack Screw

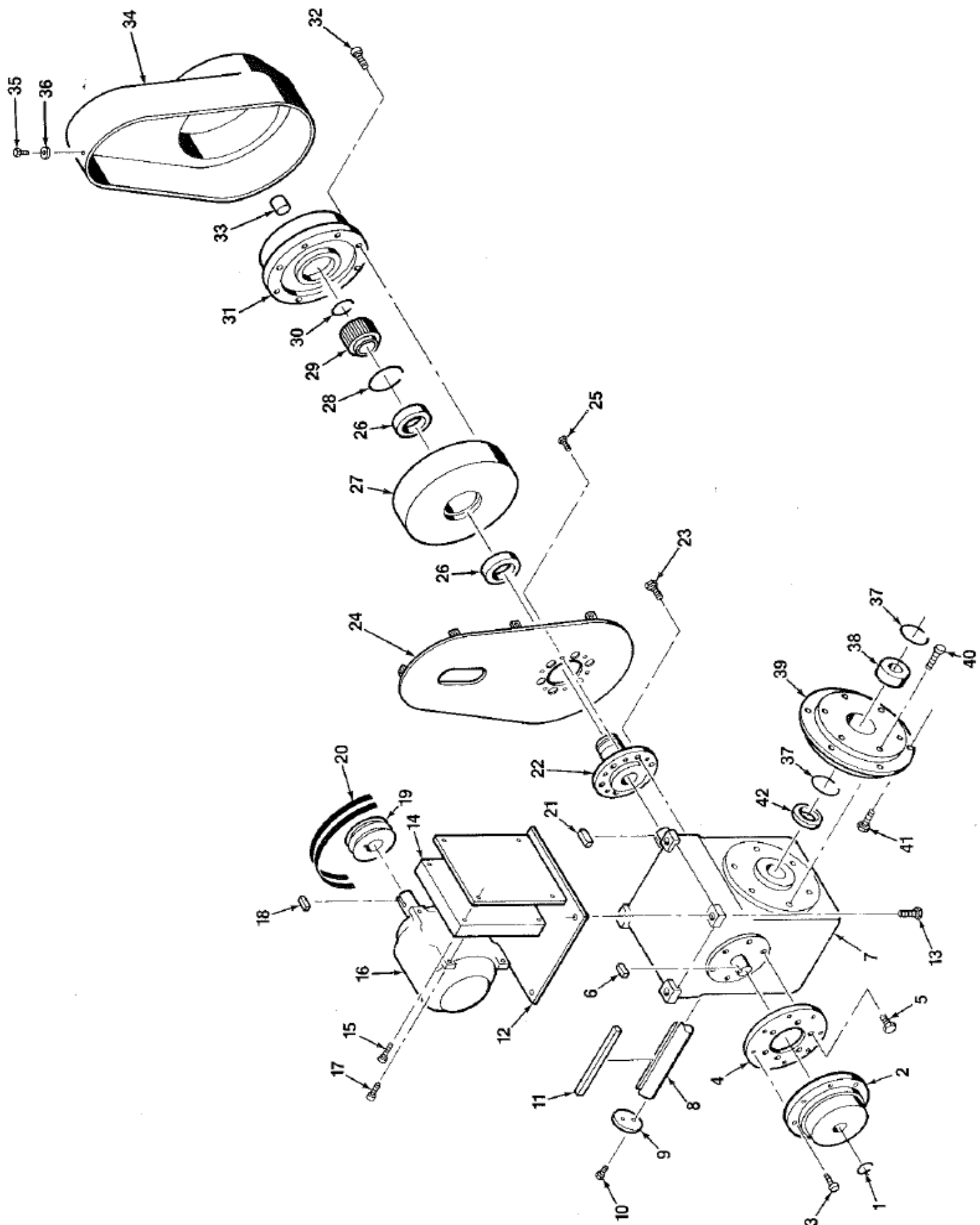
ECCENTRIC ASSEMBLY - DETAIL C

- 106. Bearing Spacer
- 107. Eccentric Connection
- 108. Dowel
- 109. Bushing
- 110. Bushing

- 111. Eccentric
- 112. Eccentric Key
- 113. Bearing
- 114. Bearing Retainer Bolt
- 115. Washer
- 116. Hex Nut

BED ADJUSTMENT ASSEMBLY - DETAIL D

- 117. Adjusting Stud
- 118. Hex Jam Nut
- 119. Hex Nut
- 120. Washer
- 121. Washer
- 122. Front Adjusting Bolt
- 123. Roll Pin
- 124. Bed Adjusting Wrench
- 125. Hex Jam Nut
- 126. Rear Adjusting Bolt
- 127. Adjusting Spacer
- 128. Washer
- 129. Screw
- 130. Bed Stud
- 131. Hex Jam Nut
- 132. Adjusting Washer

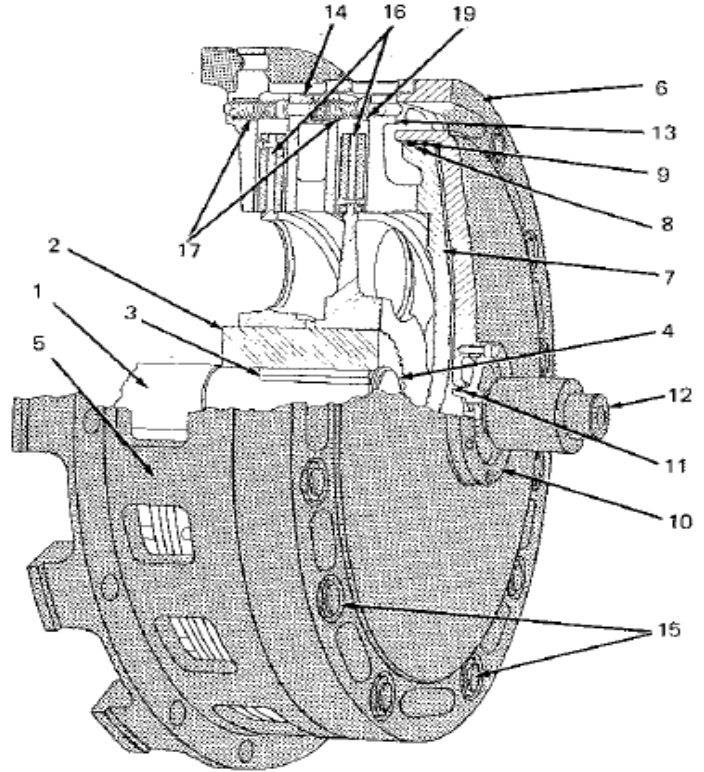


DRIVE AND GEAR BOX

1. Retaining Ring
2. Brake Hub
3. Brake Mounting Screw
4. Brake Mounting Plate
5. Plate Mounting Screw
6. Brake Hub Key
7. Gear Box
8. Eccentric Shaft (*reference*)
9. Shaft Clamp
10. Shaft Clamp Screw
11. Key
12. Motor Bracket
13. Motor Bracket Screws
14. Sliding Motor Base
15. Motor Base Screw
16. Motor
17. Motor Mounting Screw
18. Motor Sheave Key
19. Motor Sheave
20. V - Belts
21. Clutch Hub Key
22. Quill
23. Quill Mounting Screw
24. Belt Guard Back Plate
25. Back Plate Mounting Screw
26. Bearing
27. Flywheel
28. Retaining Ring
29. Clutch Hub
30. Retaining Ring
31. Clutch
32. Clutch Mounting Screws
33. Union
34. Belt Guard
35. Belt Guard Mounting Screws
36. Washer
37. Retaining Ring
38. Bearing
39. Gear Box Mounting Plate
40. Gear Box Mounting Screws
41. Plate Mounting Screws
42. Gear Box Spacer

AIR FRICTION CLUTCH - TYPE LI-P

1. Drive Shaft
2. Driving Hub
3. Key
4. Retainer Ring
5. Clutch Housing
6. Clutch Cylinder
7. Clutch Piston
8. Piston Wiper
9. Piston "O" Ring
10. Rotary Air Seal Adapter
11. Adapter "O" Ring
12. Rotary Air Seal
13. Pressure Plate
14. Inner Pressure Plate
15. Pressure Plate Guides & Nut
16. Friction Disc
17. Spreader Spring
18. Spring Guide
19. Guide Collar

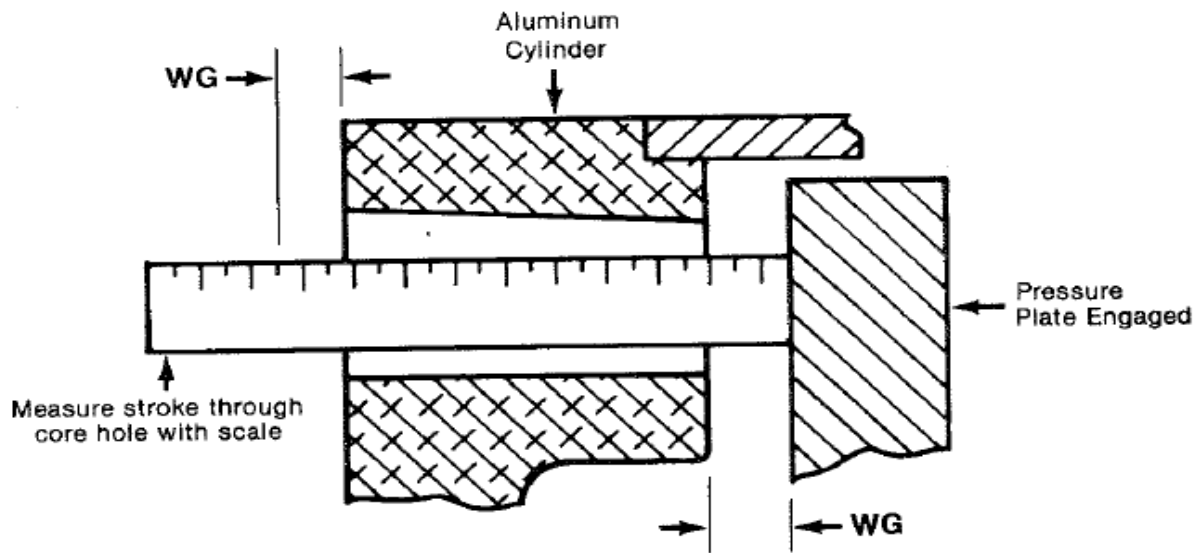


*Refer to Table for recommended torque value.

TORQUE VALUES BY FRICTION DISC DIAMETER	
11"	35-40 ft/lbs

CLUTCH LINING REPLACEMENT

Replace linings on Niagara Air Friction Clutches when WG is equal to or greater than the WG given in the following table:



DISC RELINE SPECIFICATIONS

DISC QTY.	DISC DIA.	WG
1	08"	1/4"

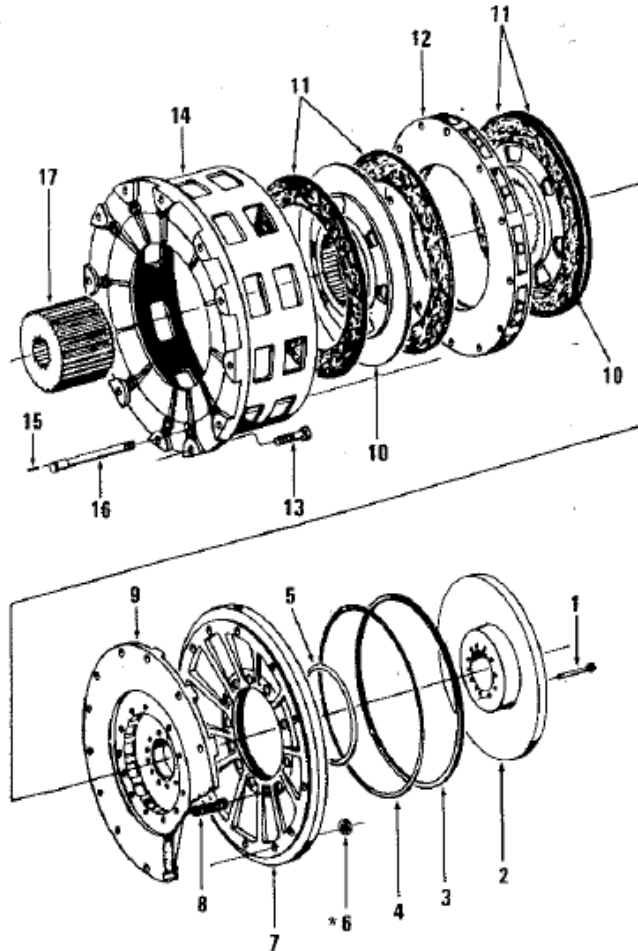
Disc Diameter	Thickness New	Thickness for Reline
11½"	.56"	.44"

AIR RELEASING DISC BRAKE

1. Piston Screw (Remove to replace seal and rings.)
2. Piston
3. Piston Dust Seal
4. Piston Ring (outer)
5. Piston Ring (inner)
- *6. Cylinder Stud Nut (Remove to replace linings.)
7. Cylinder
8. Spring
9. Pressure Plate
10. Brake Disc (quantity may vary)
11. Brake Lining (quantity may vary)
12. Center Plate (not used with single disc)
13. Brake Ring Mounting Screw
14. Brake Ring
15. Brake Stud Pin
16. Brake Stud
17. Brake Hub
18. Lining Rivet (not shown)

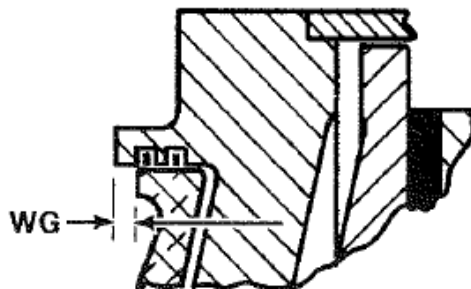
* Refer to Table for recommended torque value.

TORQUE VALUES BY FRICTION DISC DIAMETER	
11"	35-40 ft/lbs



BRAKE LINING REPLACEMENT

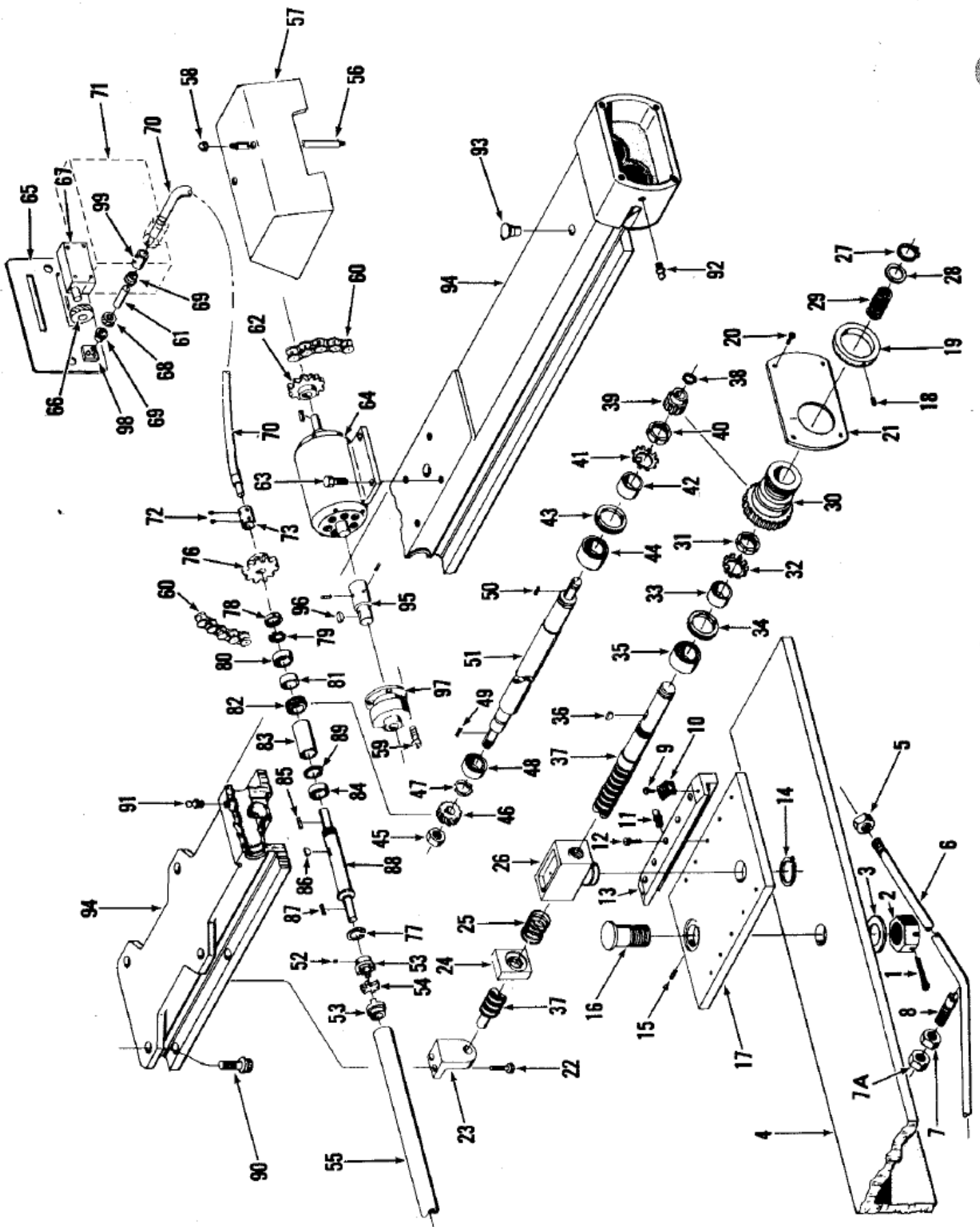
Replace linings on Niagara Air Releasing Brakes when the WG reaches the WG figure given in the following tables:



DISC RELINE SPECIFICATIONS

DISC QTY.	DISC DIA.	WG
1	08"	1/8"

Disc Diameter	Thickness New	Thickness for Reline
11 1/2"	.56"	.44"



BACKGAGE

- | | | |
|--|---|---|
| <p>1. Cotter Pin
2. Castle Nut
3. Washer
4. Gage Bar
5. Brace Rod Nuts
6. Brace Rod
7. Jam Nut
7A Brace Rod Bolt Adjusting Nut
8. Brace Rod Bolt
9. Wiper Fastening Screw
10. Wiper
11. Lube Fitting
12. Slide Cap Fastening Screw
13. Slide Cap
14. Retaining Ring
15. Set Screw
16. Slide Stud
17. Slide
18. Set Screw
19. Indicating Collar
20. Plate Mounting Screw
21. Gear Cover Plate
22. Support Mounting Screw
23. Screw Support
24. Backlash Nut
25. Backlash Spring
26. Adjusting Nut
27. Retaining Ring
28. Washer
29. Adjusting Collar Spring
30. Adjusting Collar
31. Locknut
32. Lockwasher</p> | <p>33. Bearing Spacer
34. Bearing Nut
35. Bearing
36. Adjusting Collar Key
37. Adjusting Screw
38. Retaining Ring
39. Adjusting Gear
40. Locknut
41. Lockwasher
42. Bearing Spacer
43. Bearing Nut
44. Bearing
45. Retaining Nut
46. Worm Gear
47. Retaining Ring
48. Bearing
49. Worm Gear Key
50. Collar Key
51. Intermediate Shaft
52. Set Screw
53. Coupling Half
54. Coupling Insert
55. Connecting Shaft
56. Mounting Rod
57. Guard
58. Acorn Nut
59. Mounting Screw
60. Chain
61. Pinion Shaft
62. Motor Sprocket
63. Motor Mounting Screw
64. Motor
65. Indicator Cover</p> | <p>66. Counter Helical Gear
67. Counter
68. Shaft Helical Gear
69. Bushing
70. Flexible Shaft
71. Indicator Bracket
72. Set Screw
73. Shaft Adapter
76. Driveshaft Sprocket
77. Outside Retaining Ring
78. Locknut
79. Lockwasher
80. Bearing
81. Gear Spacer
82. Helical Gear
83. Bearing Spacer
84. Bearing
85. Coupling Key (Used only with Part No. 53)
86. Helical Gear Key
87. Coupling Key (Used only with Part No. 53)
88. Drive Shaft
89. Inside Retaining Ring
90. Bracket Mounting Screw
91. Center Gear Case Lube Fitting
92. End Gear Case Lube Fitting
93. Oil Cup
94. Gage Brackets
95. Shaft Extension
96. Woodruff Key
97. Brake
98. Retainer
99. Coupling</p> |
|--|---|---|