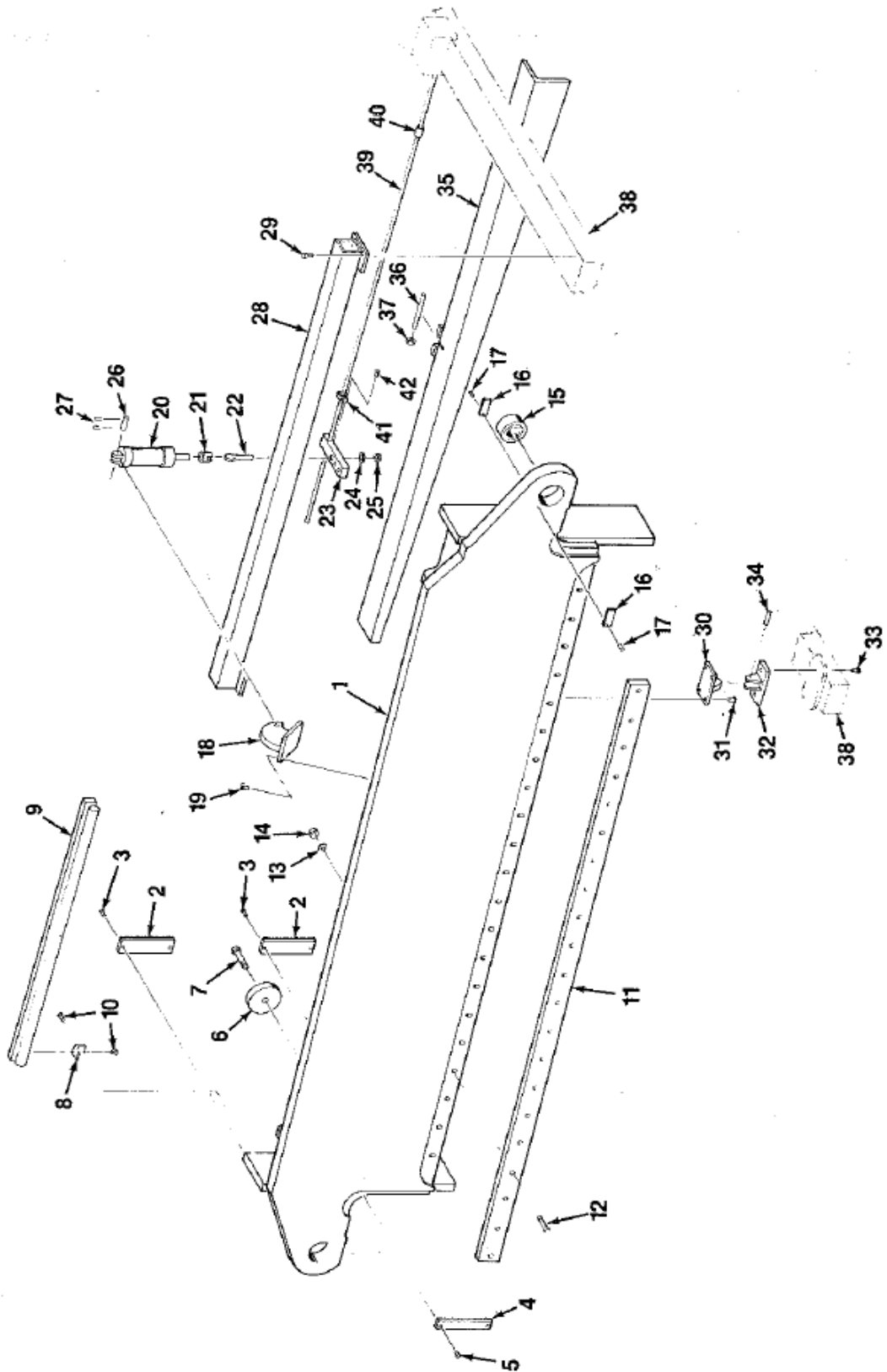


FRAME ASSEMBLY

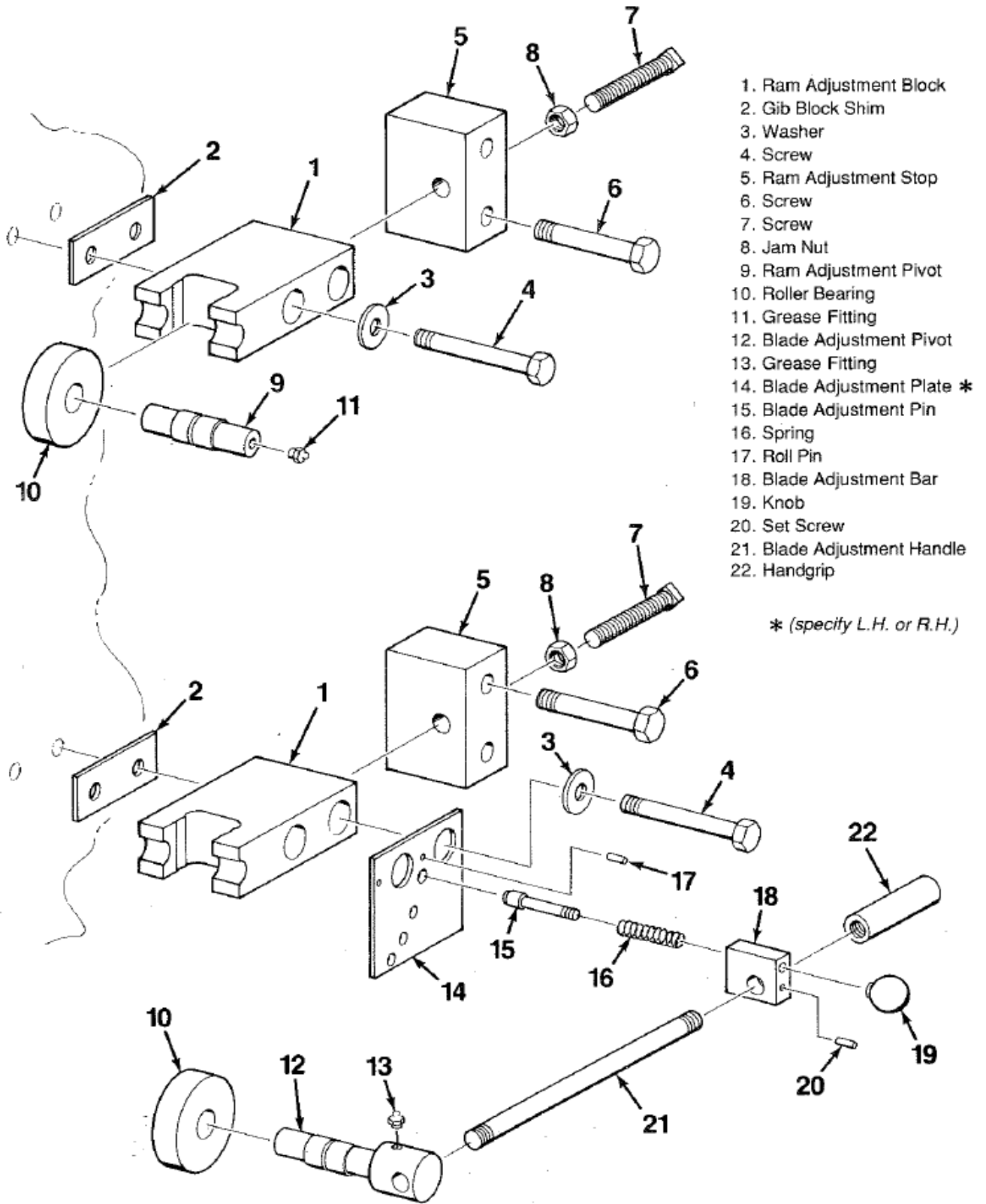
1. Frame
2. Ram Assembly (*see separate part list*)
3. Hydraulic Cylinder Assembly (*see separate part list*)
4. Bearing
5. Swivel Pin
6. Snap Ring
7. Ram Adjustment/Blade Adjustment Assem. (*see separate part list*)
8. Holddown Bar
9. Screw
10. Holddown Cylinder
11. R.H. Blade Guard
12. L.H. Blade Guard (*not shown*)
13. Screw
14. L.H. Awareness Barrier
15. R.H. Awareness Barrier (*not shown*)
16. Screw
17. Holddown End Cover
18. Screw
19. Fixed Blade
20. Reversed Key Plow Bolt
21. Washer
22. Hex Nut
23. Front Bed Cover
24. Screw
25. Front Rail
26. Screw
27. Bed Rail (*wide*)
28. Bed Adjusting Screw
29. Screw
30. R.H. Bed Rail
31. L.H. Bed Rail
32. Bed Rail
33. Side Gage
34. Scale
35. Rear Chute
36. Screw
37. Top Cover
38. Screw
39. Frame Lift Bar
40. Screw
41. Side Covers (*specify location*)
42. Screw
43. L.H. Bed Cover
44. Center Bed Cover
45. R.H. Bed Cover
46. Hydraulic Power Unit
47. Grease Fitting
48. Foundation Screw
49. Leveling Screw
50. Spring Pot Cylinder
51. Spring Pot Screw
52. Disc Springs
53. Spring Pot Piston
54. Track Roller
55. Pin
56. Roll Pin
57. Grease Fitting
58. Screw
59. Front Bracket (*optional*)
60. T' Slot Screw (*optional*)
61. Hex Nut (*optional*)



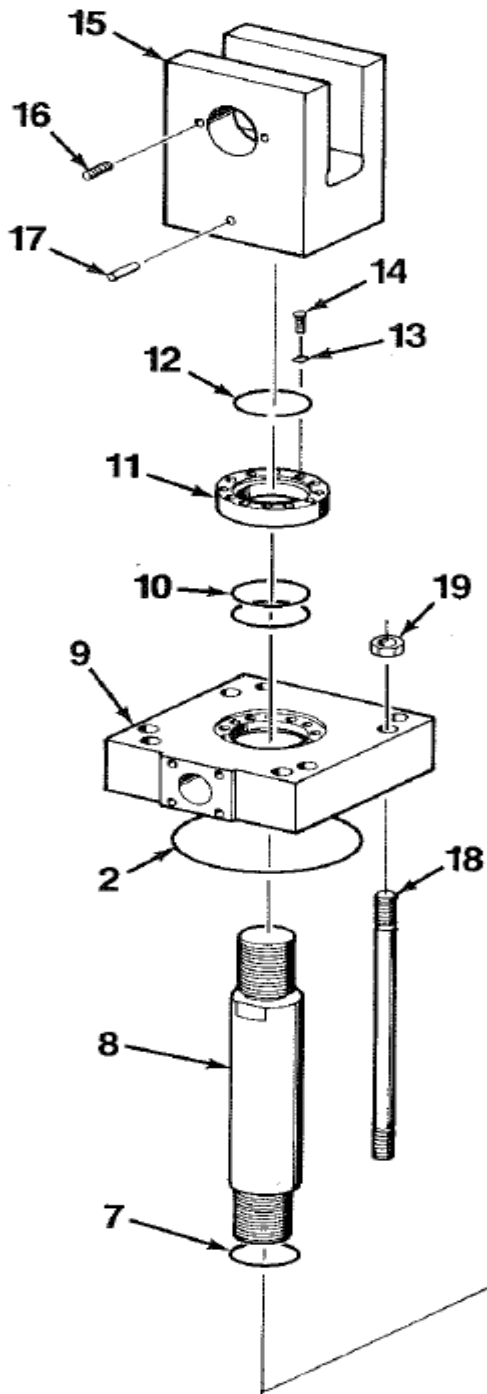
RAM ASSEMBLY

1. Ram
2. Rear Gibb
3. Screw
4. Front Gibb
5. Screw
6. End Roller
7. Shoulder Screw
8. 'L' Bracket
9. Light Fixture
10. Screw
11. Moving Blade
12. Reverse Key Plow Bolt
13. Washer
14. Hex Nut
15. Bearing
16. Bearing Keeper
17. Screw
18. Backgage Lift Bracket
19. Screw
20. Cylinder
21. Rod Clevis
22. Lift Rod Eye
23. Shaft Support
24. Washer
25. Hex Nut
26. Clevis Pin
27. Snap Ring
28. Backgage Bridge
29. Screw
30. Backgage Pivot Bracket
31. Screw
32. Backgage Hinge
33. Screw
34. Pin
35. Backgage Bar
36. Stud
37. Hex Nut
38. Backgage (see separate part list)
39. Backgage Connection Shaft
40. Coupling
41. Shaft Support Bearing
42. Screw

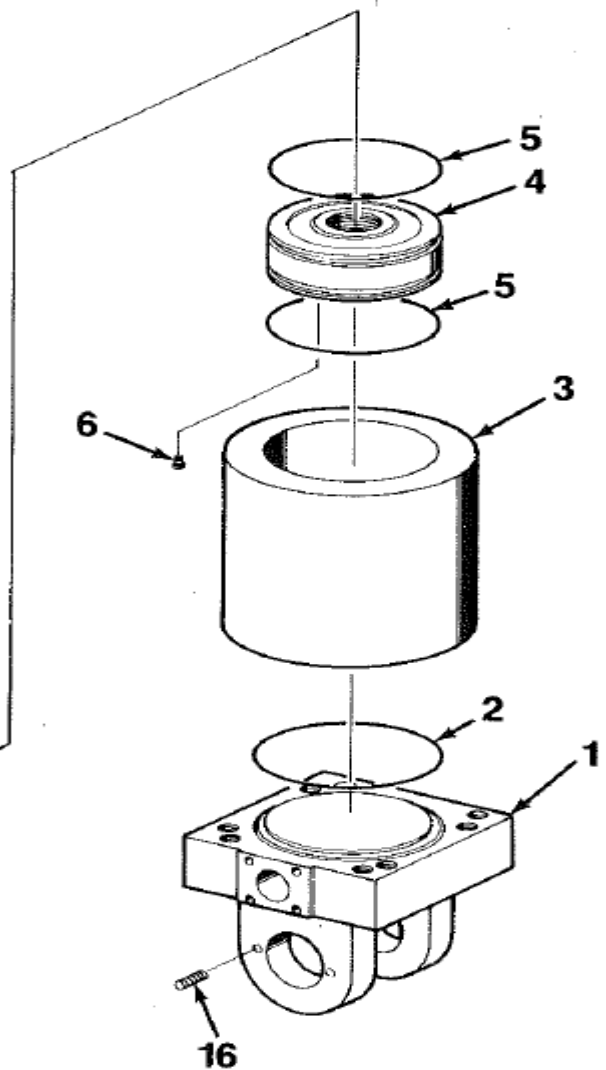
RAM/BLADE ADJUSTMENT ASSEMBLY

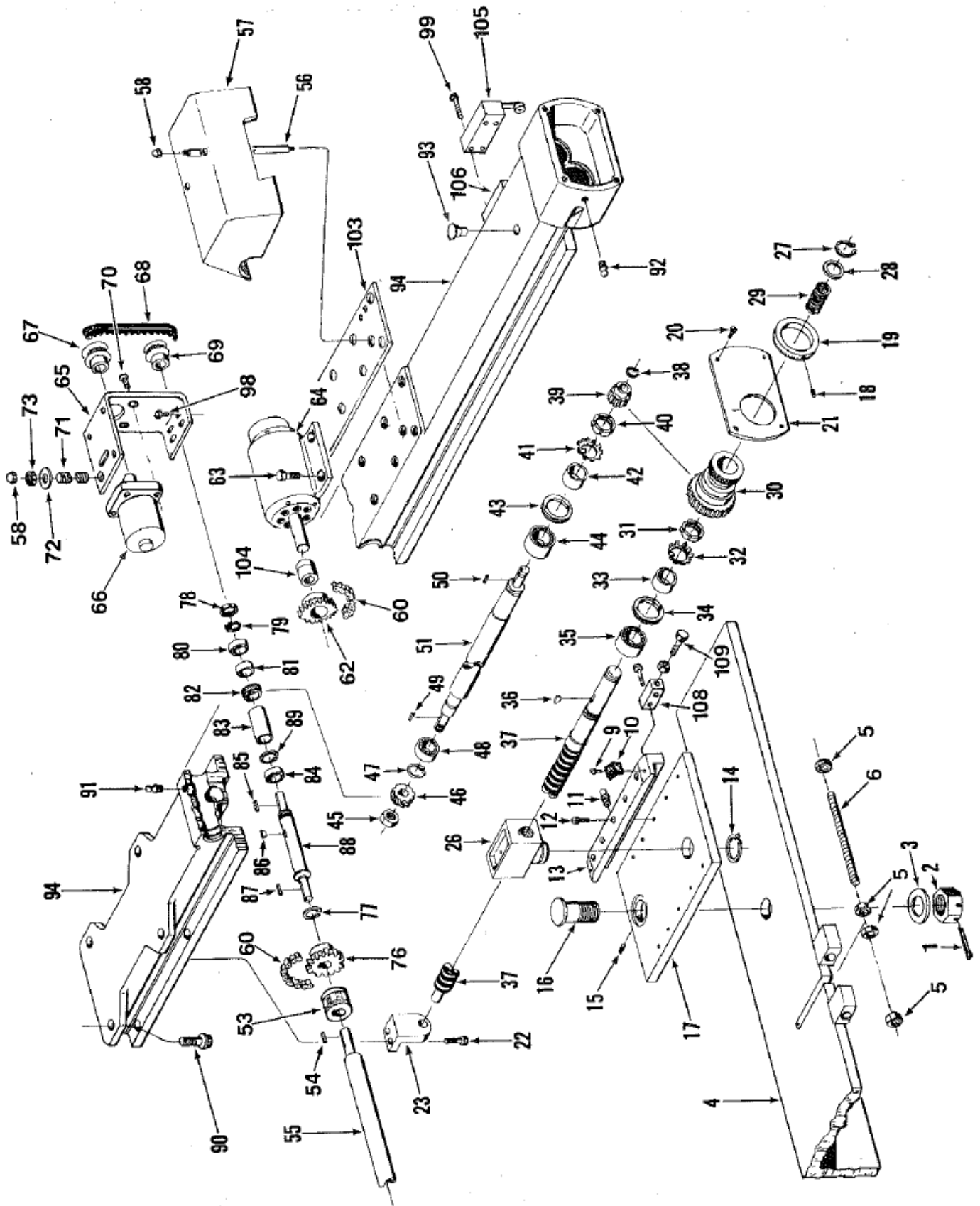


CYLINDER ASSEMBLY, SPECIFY L.H. OR R.H. (Bore Size)



- | | |
|------------------------------|-------------------|
| 1. Cylinder Head, Clevis End | 11. Packing Gland |
| 2. O-Ring | 12. Seal |
| 3. Cylinder | 13. Retainer |
| 4. Piston | 14. Screw |
| 5. Seal | 15. Rod Clevis |
| 6. Seal | 16. Set Screws |
| 7. O-Ring | 17. Roll Pin |
| 8. Rod | 18. The Rod |
| 9. Cylinder Head, Rod End | 19. Hex Nut |
| 10. Seal | |





BACKGAGE

1.	Cotter Pin		
2.	Castle Nut		
3.	Washer		
4.	Gage Bar		
5.	Hex Nut		
6.	Stud		
9.	Wiper Fastening Screw		
10.	Wiper		
11.	Lube Fitting		
12.	Slide Cap Fastening Screw		
13.	Slide Cap		
14.	Retaining Ring		
15.	Set Screw		
16.	Slide Stud		
17.	Slide		
18.	Set Screw		
19.	Indicating Collar		
20.	Plate Mounting Screw		
21.	Gear Cover Plate		
22.	Support Mounting Screw		
23.	Screw Support		
26.	Adjusting Nut		
27.	Retaining Ring		
28.	Washer		
29.	Adjusting Collar Spring		
30.	Adjusting Collar		
31.	Locknut		
32.	Lockwasher		
33.	Bearing Spacer		
34.	Bearing Nut		
35.	Bearing		
36.	Adjusting Collar Key		
37.	Adjusting Screw		
38.	Retaining Ring		
39.	Adjusting Gear		
40.	Locknut		
41.	Lockwasher		
42.	Bearing Spacer		
43.	Bearing Nut		
44.	Bearing		
45.	Retaining Nut		
46.	Helical Gear		
47.	Retaining Ring		
48.	Bearing		
49.	Worm Gear Key		
50.	Collar Key		
51.	Intermediate Shaft		
53.	Coupling		
54.	Key		
55.	Connecting Shaft		
56.	Mounting Rod		
57.	Guard		
58.	Acorn Nut		
60.	Chain		
62.	Motor Sprocket		
63.	Motor Mounting Screw		
64.	Motor with Brake		
65.	Encoder Bracket		
66.	Encoder		
67.	Pulley		
68.	Belt		
69.	Pulley		
70.	Mounting Screw		
71.	Threaded Rod		
72.	Washer		
73.	Nut		
76.	Driveshaft Sprocket		
77.	Outside Retaining Ring		
78.	Locknut		
79.	Lockwasher		
80.	Bearing		
81.	Gear Spacer		
82.	Helical Gear		
83.	Bearing Spacer		
84.	Bearing		
85.	Key		
86.	Helical Gear Key		
87.	Key		
88.	Drive Shaft		
89.	Inside Retaining Ring		
90.	Bracket Mounting Screw		
91.	Center Gear Case Lube Fitting		
92.	End Gear Case Lube Fitting		
93.	Oil Cup		
94.	Gage Brackets		
98.	Mounting Screw		
99.	Mounting Screw		
102.	Lubrication Plate (Not shown)		
103.	Motor Adapter Plate		
104.	Trantorque Unit		
105.	Limit Switch		
106.	L.S. Mounting Plate		
108.	Adj. Screw Mounting Plate		
109.	Adjusting Screw		