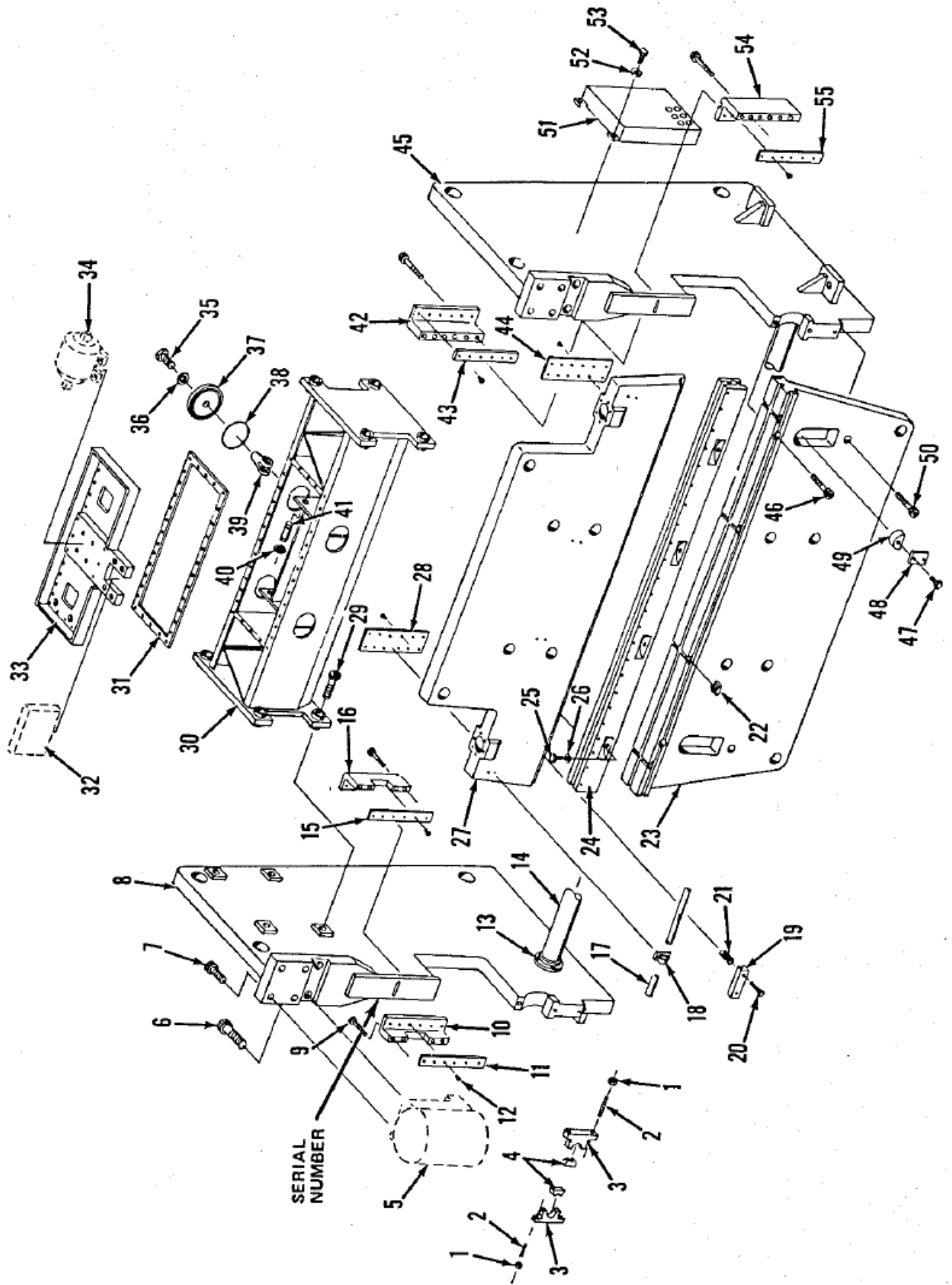


FRAME (ONE PIECE)

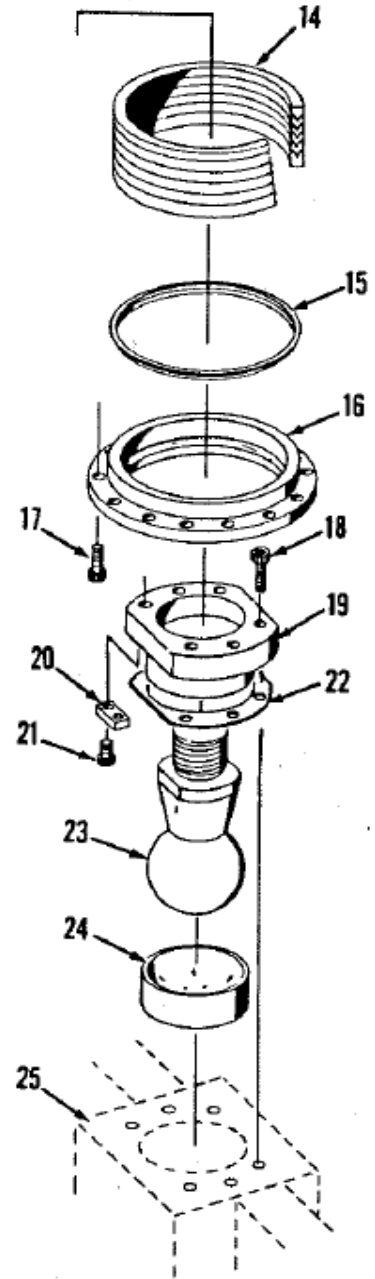
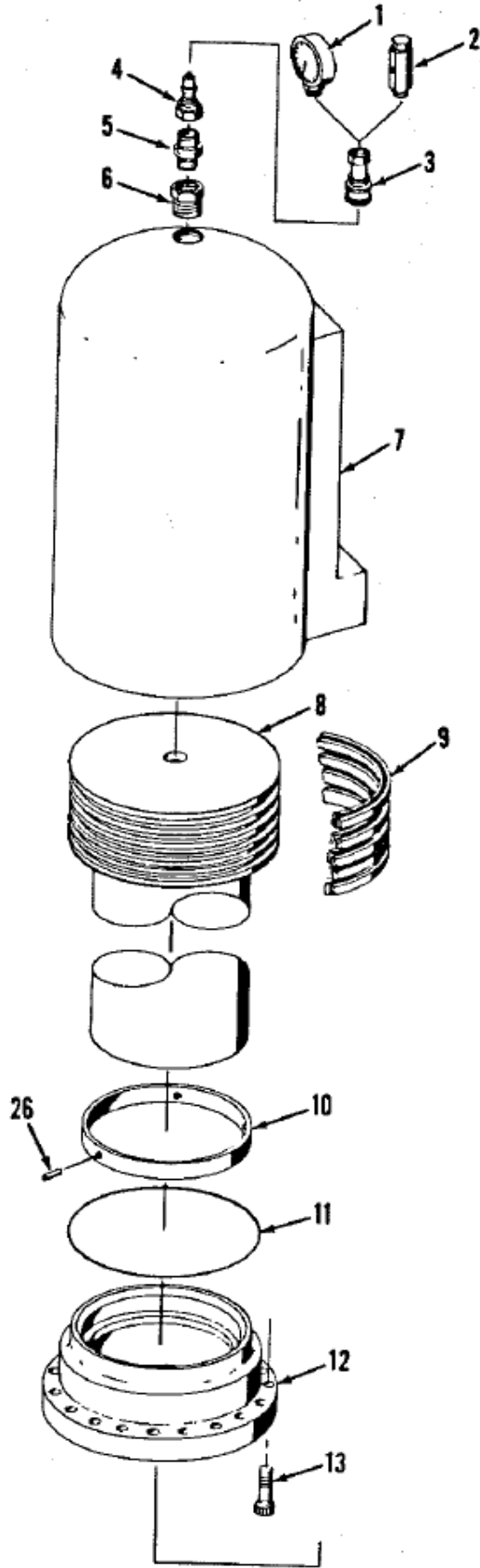
- | | |
|---|--|
| <ol style="list-style-type: none"> 1. Oil Sight Gage 2. Motor, Manifold & Pump Assembly 3. Reservoir Cover 4. Gasket 5. Capscrew 6. Frame 7. Capscrew 8. L.H. Outer Gib 9. Gib Liner 10. Screw 11. Cylinder 12. Capscrew 13. Nut 14. Stud 15. Outer Pivot Shoe Retainer 16. Pivot Shoe 17. Pivot Shoe 18. Inner Pivot Shoe Retainer 19. Stud 20. Nut 21. L.H. Inner Gib 22. Capscrew 23. Gib Liner 24. Filler Block 25. Bed (Detachable Type) 26. Capscrew 27. Bolt 28. Bed Shoe Lock 29. Bed Shoe 30. Capscrew | <ol style="list-style-type: none"> 31. "T" Nut 32. Ram Liner 33. Ram 34. Safety Rail 35. Bolt 36. Rail Support 37. Ram Clamp Bars 38. Bolt 39. Spring 41. Ram Liner 42. Bolt 43. Washer 45. Capscrew 46. R.H. Inner Gib 47. Gib Liner 48. Capscrew 49. R.H. Outer Gib 50. Gib Liner 51. Control Box 52. Washer 53. Bolt 54. Retaining Ring 55. Pin 56. Clevis 57. "O" Ring 58. Inspection Door 59. Washer 60. Bolt |
|---|--|
-
- | | |
|---|---|
| <p style="text-align: center;"> } With Detachable Type Bed Only </p> | <p style="text-align: center;"> } Clean Out Cover Kit Purchased As Assembly </p> |
|---|---|



FRAME (COMPONENT PIECES)

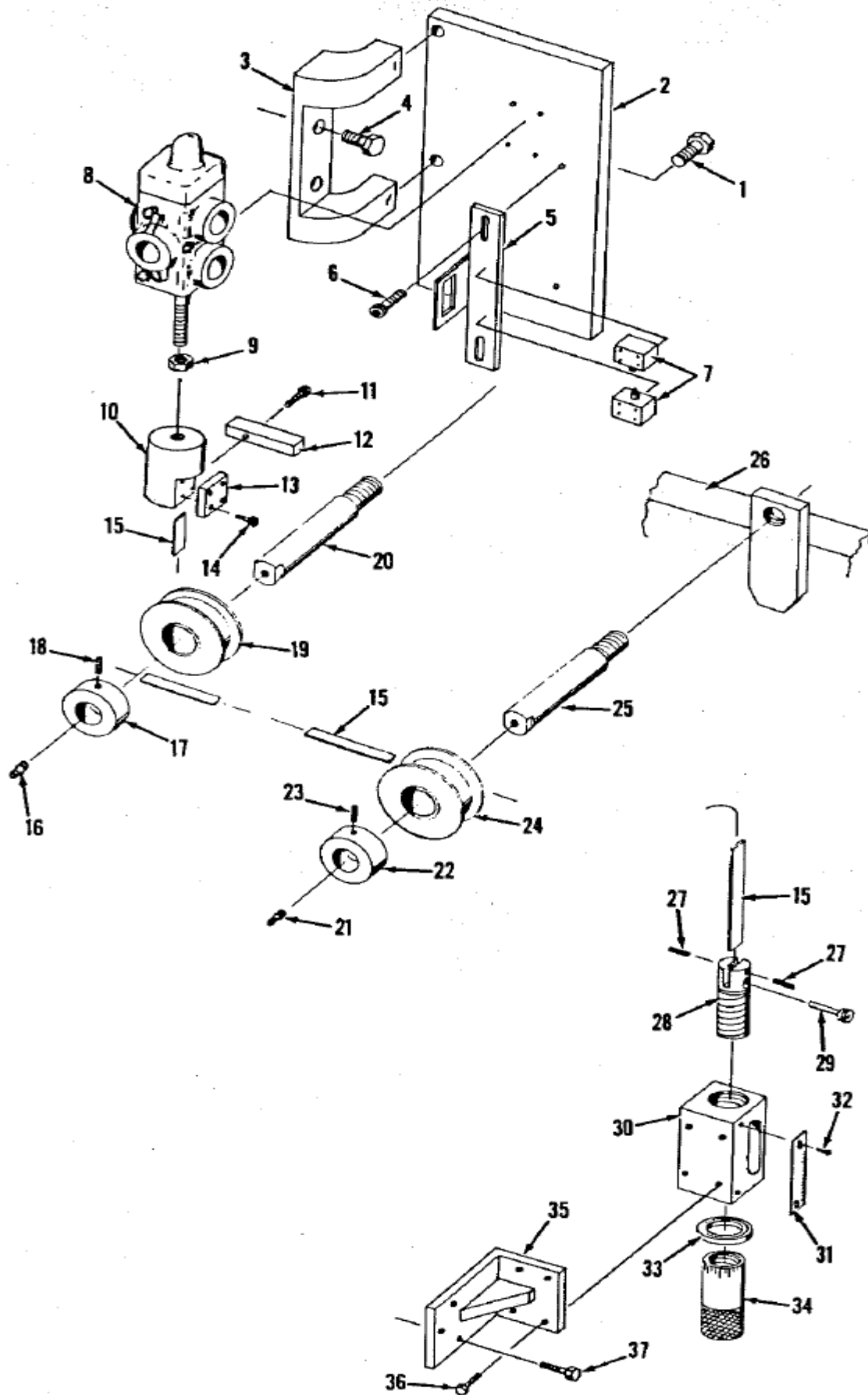
- | | |
|--|---|
| <ol style="list-style-type: none"> 1. Nut 2. Stud 3. Pivot Shoe Retainer 4. Pivot Shoe 5. Cylinder 6. Capscrew 7. Capscrew 8. L.H. Housing 9. Capscrew 10. L.H. Outer Gib 11. Gib Liner 12. Screw 13. Flange 14. Pipe 15. Gib Liner 16. L.H. Inner Gib 17. Safety Rail 18. Rail Support 19. Ram Clamp Bar 20. Bolt 21. Spring 22. "T" Nut 23. Bed 24. Filler Block 25. Nut 26. Washer 27. Ram 28. L.H. Ram Liner | <ol style="list-style-type: none"> 29. Capscrew 30. Reservoir 31. Gasket 32. Manifold 33. Reservoir Cover 34. Motor 35. Bolt 36. Washer 37. Clean Out Cover 38. "O" Ring 39. Clevis 40. Retaining Ring 41. Pin 42. R.H. Inner Gib 43. Gib Liner 44. R.H. Ram Liner 45. R.H. Housing 46. Capscrew 47. Bolt 48. Bed Shoe Lock 49. Bed Shoe 50. Capscrew 51. Control Box 52. Washer 53. Bolt 54. R.H. Outer Gib 55. Gib Liner |
|--|---|

Clean Out
Cover Kit
Purchased
As Assembly



MAIN CYLINDER

1. Test Gage
2. Bleeder Valve
3. Socket
4. Plug
5. Nipple
6. Reducer
7. Cylinder
8. Piston
9. Piston Rings
10. Bushing
11. "O" Ring
12. Cylinder Cap
13. Capscrew
14. "V" Packing
15. Wiper Cord
16. Packing Gland
17. Capscrew
18. Capscrew
19. Ballcap
20. Lock
21. Capscrew
22. Shim
23. Ballscrew
24. Ballseat
25. Ram
26. Dowel

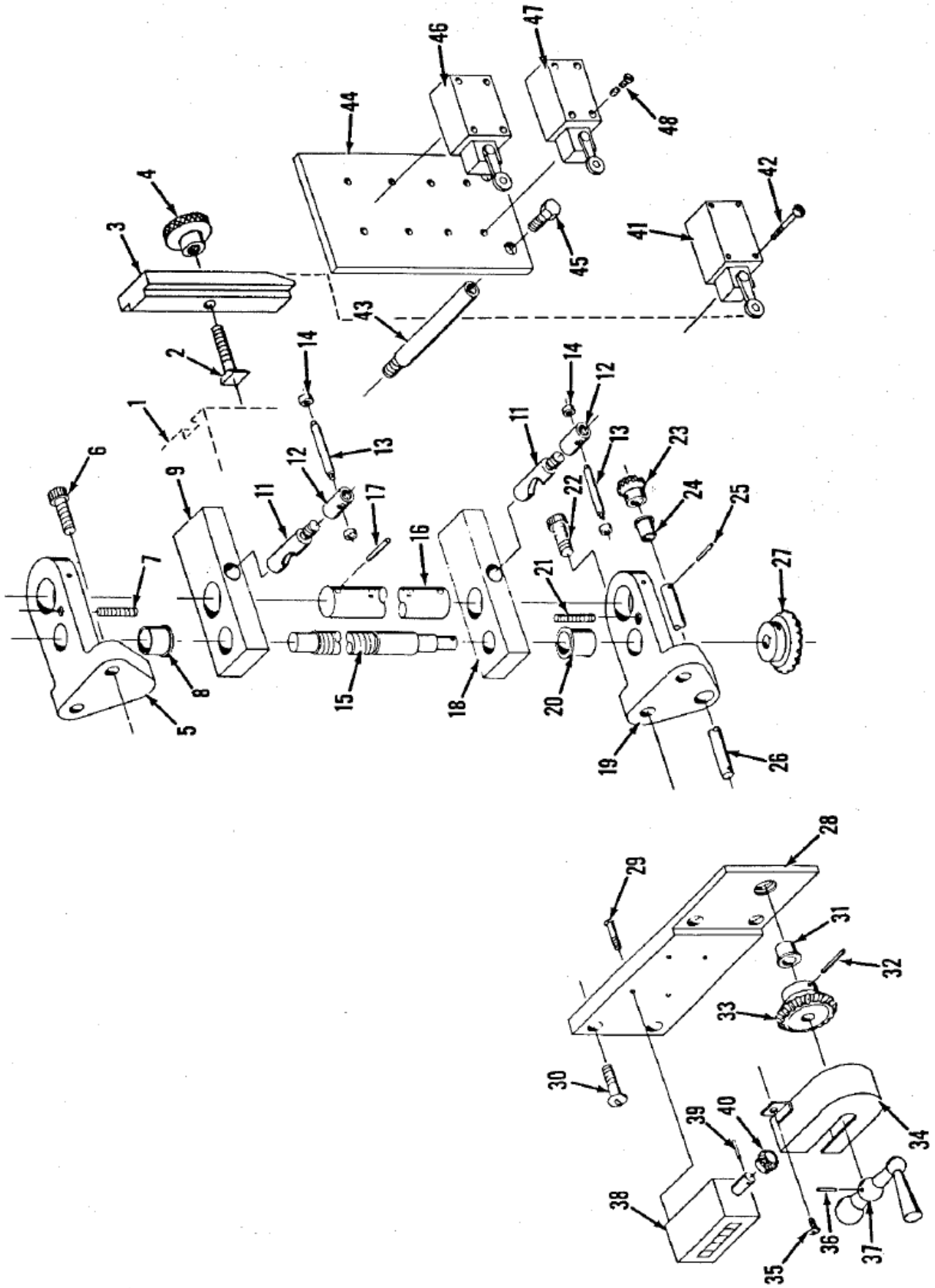


RAM LEVEL CONTROL

1. Bolt
2. Valve Plate
3. Valve Plate Bracket
4. Bolt
5. Micro Switch Bracket
6. Capscrew
7. Micro Switch
8. Valve
9. Nut
10. Tape Holder
11. Capscrew
12. Micro Switch Trip
13. Tape Clamp
14. Capscrew
15. Tape
16. Grease Fitting
17. Collar*
18. Set Screw*
19. Pulley
20. Pulley Shaft*
21. Grease Fitting
22. Collar**
23. Set Screw**
24. Pulley
25. Pulley Shaft**
26. Ram
27. Set Screw
28. Tape Adjusting Screw
29. Pin & Knob
30. Screw Housing
31. Tilt Adjust Scale
32. Screw
33. Bearing
34. Adjusting Knob
35. Tilt Adjust Bracket
36. Bolt
37. Bolt

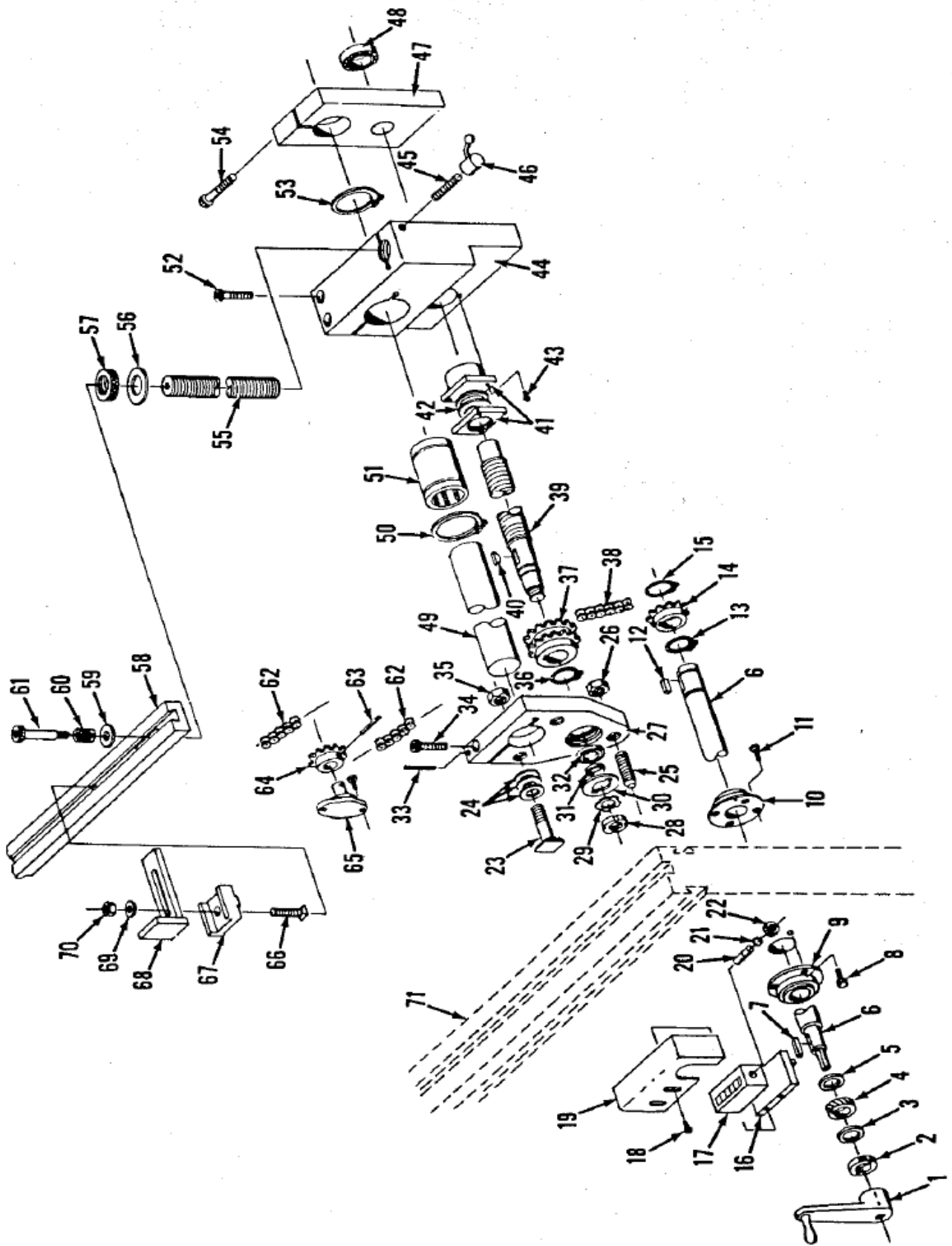
* Purchased Together

** Purchased Together



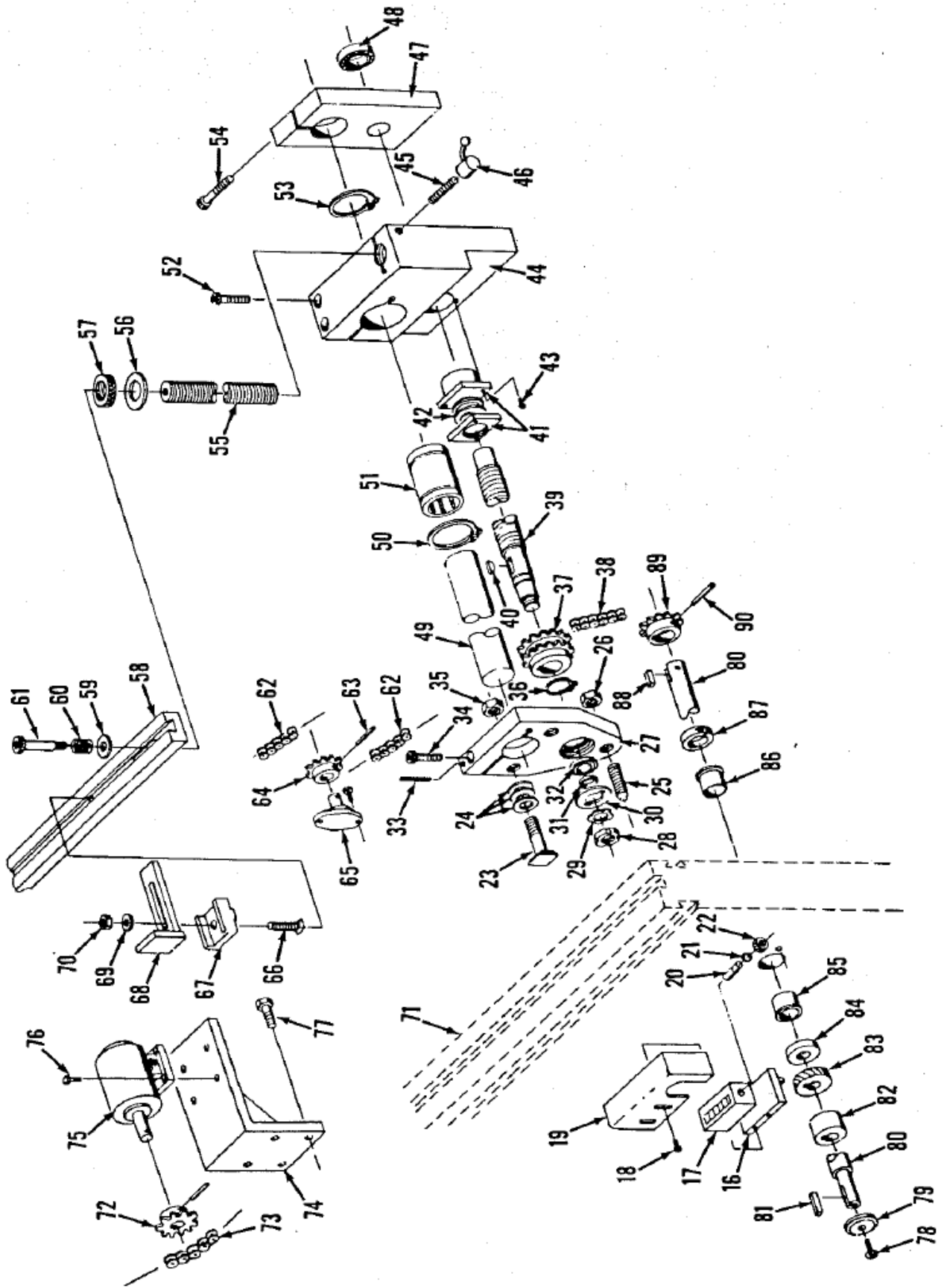
UPPER AND LOWER LIMIT ASSEMBLY

- | | | | |
|-----|------------------------|-----|-----------------------------|
| 1. | R.H. Outer Gib | 26. | Shaft |
| 2. | Dovetail Bolt | 27. | Bevel Gear |
| 3. | Speed Change Cam | 28. | Counter Plate |
| 4. | Knurled Nut | 29. | Screw |
| 5. | Upper Gage Rod Bracket | 30. | Button Head Screw |
| 6. | Capscrew | 31. | Bushing |
| 7. | Set Screw | 32. | Roll Pin |
| 8. | Bushing | 33. | Bevel Gear |
| 9. | Upper Stop Block | 34. | Gear Cover |
| 11. | Clamp Bolt | 35. | Screw |
| 12. | Clamp Nut | 36. | Roll Pin |
| 13. | Handle | 37. | Handle |
| 14. | Knob | 38. | Counter |
| 15. | Screw | 39. | Roll Pin |
| 16. | Gage Rod | 40. | Bevel Pinion |
| 17. | Roll Pin | 41. | Limit Switch (Speed Change) |
| 18. | Lower Stop Block | 42. | Screw |
| 19. | Lower Gage Rod Bracket | 43. | Bracket Support |
| 20. | Bushing | 44. | Limit Switch Mounting Plate |
| 21. | Set Screw | 45. | Bolt |
| 22. | Capscrew | 46. | Limit Switch (Bottom Limit) |
| 23. | Bevel Pinion | 47. | Limit Switch (Top Limit) |
| 24. | Bushing | 48. | Screw |
| 25. | Roll Pin | | |



HEAVY DUTY BACKGAGE MANUALLY OPERATED

1.	Handle	38.	Chain
2.	Collar	39.	Backgage Screw
3.	Spacer	40.	Woodruff Key
4.	Helical Gear	41.	Backlash Plate
5.	Spacer	42.	Disc Springs
6.	Shaft	43.	Screw
7.	Key	44.	Finger Rest Support Bracket
8.	Bolt	45.	Stud
9.	Flange Block	46.	Clamping Handle
10.	Flange Block	47.	Rear Stop Plate
11.	Bolt	48.	Bearing
12.	Key	49.	Shaft
13.	Retaining Ring	50.	Retaining Ring
14.	Sprocket	51.	Ball Bushing
15.	Retaining Ring	52.	Capcrew
16.	Counter Bracket	53.	Retaining Ring
17.	Counter Cover	54.	Capcrew
18.	Screw	55.	Elevating Screw
19.	Counter Cover	56.	Thrust Bearing
20.	Counter Shaft	57.	Knurled Nut
21.	Retaining Ring	58.	Finger Rest
22.	Helical Gear	59.	Washer
23.	Dovetail Bolt	60.	Spring
24.	Washer	61.	Shouldered Capcrew
25.	Stud	62.	Chain
26.	Nut	63.	Roll Pin
27.	Support Plate	64.	Sprocket
28.	Lock Nut	65.	Drive Tightener
29.	Lock Washer	66.	Dovetail Bolt
30.	Bearing Nut	67.	Finger Support
31.	Bearing	68.	Backgage Finger
32.	Bearing	69.	Washer
33.	Set Screw	70.	Nut
34.	Capcrew	71.	Bed
35.	Nut		
36.	Retaining Ring		
37.	Sprocket		



HEAVY DUTY BACKGAGE POWER OPERATED

- | | | | |
|-----|-----------------------------|-----|---------------------|
| 16. | Counter Bracket | 55. | Elevating Screw |
| 17. | Counter | 56. | Thrust Bearing |
| 18. | Screw | 57. | Knurled Nut |
| 19. | Counter Cover | 58. | Finger Rest |
| 20. | Counter Shaft | 59. | Washer |
| 21. | Retaining Ring | 60. | Spring |
| 22. | Helical Gear | 61. | Shouldered Capscrew |
| 23. | Dovetail Bolt | 62. | Chain |
| 24. | Washer | 63. | Roll Pin |
| 25. | Stud | 64. | Support |
| 26. | Nut | 65. | Drive Tightener |
| 27. | Support Plate | 66. | Dovetail Bolt |
| 28. | Lock Nut | 67. | Finger Support |
| 29. | Lock Washer | 68. | Backgage Finger |
| 30. | Bearing Nut | 69. | Washer |
| 31. | Spacer | 70. | Nut |
| 32. | Bearing | 71. | Bed |
| 33. | Set Screw | 72. | Sprocket |
| 34. | Capscrew | 73. | Chain |
| 35. | Nut | 74. | Bracket |
| 36. | Retaining Ring | 75. | Hydraulic Motor |
| 37. | Sprocket | 76. | Bolt |
| 38. | Chain | 77. | Bolt |
| 39. | Backgage Screw | 78. | Screw |
| 40. | Woodruff Key | 79. | Washer |
| 41. | Backlash Plate | 80. | Shaft |
| 42. | Disc Springs | 81. | Key |
| 43. | Screw | 82. | Spacer |
| 44. | Finger Rest Support Bracket | 83. | Helical Gear |
| 45. | Stud | 84. | Spacer |
| 46. | Clamping Handle | 85. | Bushing |
| 47. | Rear Stop Plate | 86. | Bushing |
| 48. | Bearing | 87. | Collar |
| 49. | Shaft | 88. | Key |
| 50. | Retaining Ring | 89. | Sprocket |
| 51. | Ball Bushing | 90. | Roll Pin |
| 52. | Capscrew | | |
| 53. | Retaining Ring | | |
| 54. | Capscrew | | |