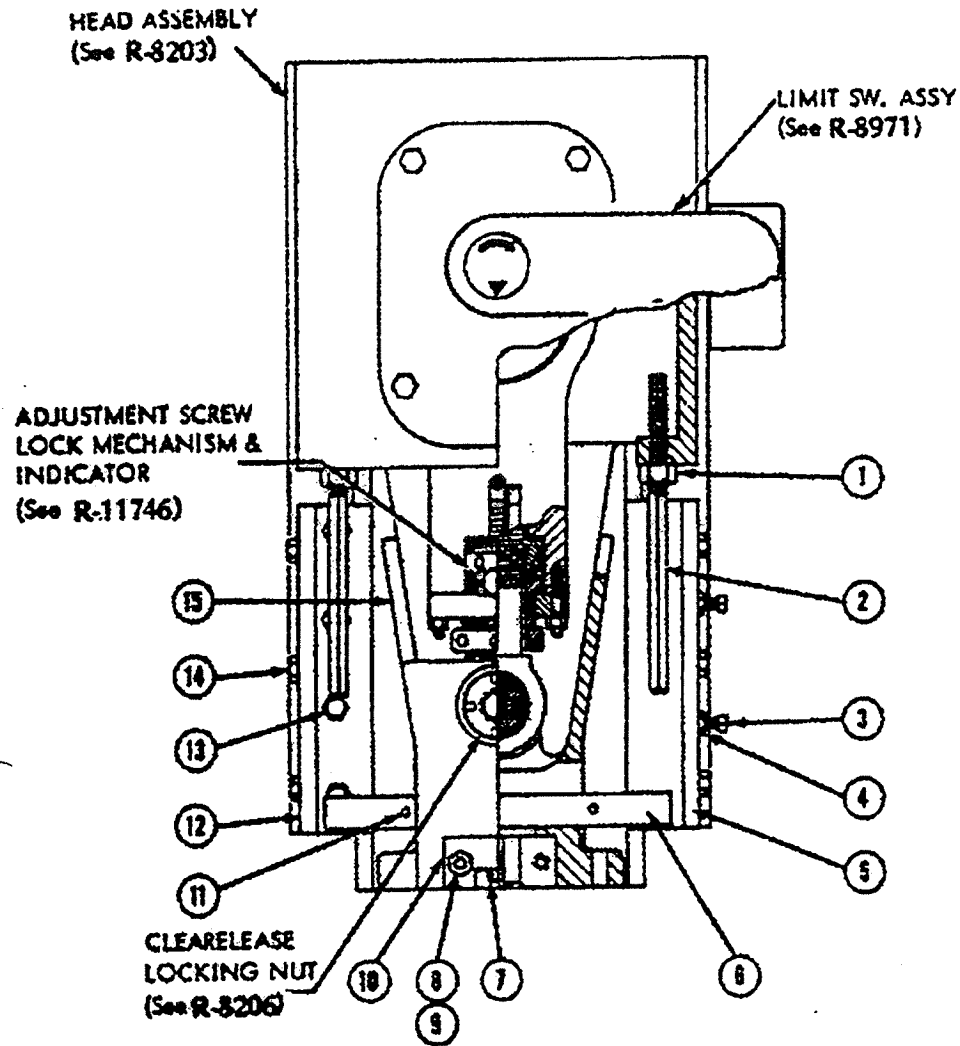


SLIDE ADJUSTMENT

22 Ton OBI



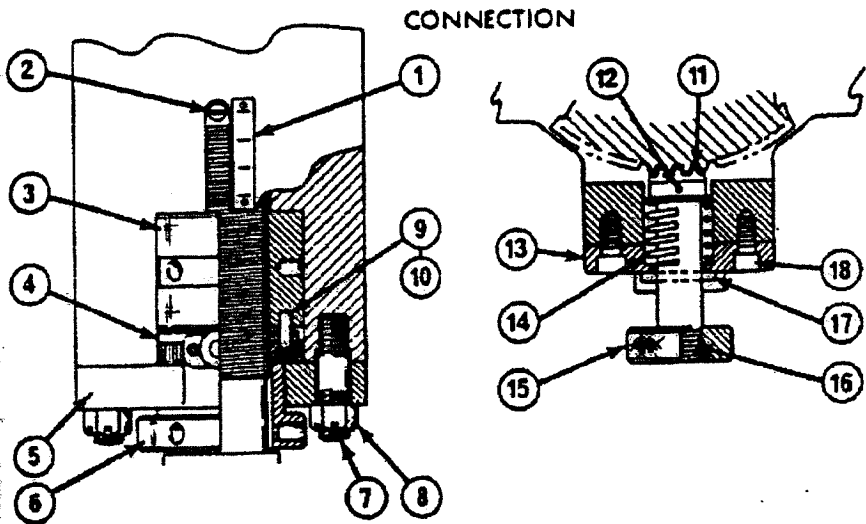
R-8205

1. Hex Nut,
2. Knockout Rod
3. Sq.Hd.Set Scrw.
4. Jamb Nut,
5. R.H. Gib
6. Knockout Bar
7. Hx.Hd.Cap Scrw.
8. Stud,

9. Hex Nut,
10. Slide Cap
11. Roll Pin
12. L.H. Gib
13. Hx.Hd.Cap Scrw,
14. Hx.Hd.Cap Scrw,
15. Slide

INDICATOR ASSEMBLY

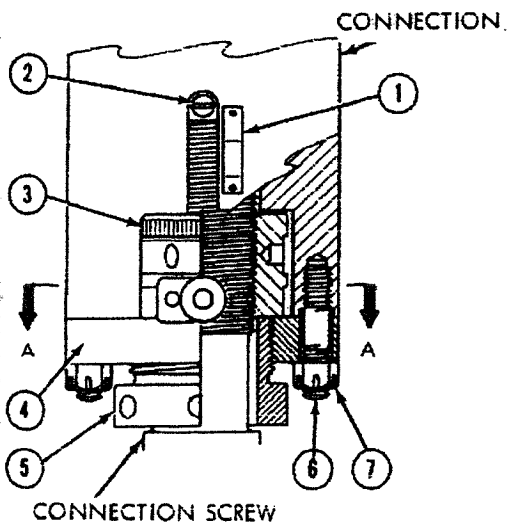
60 TON OBI



R-11746

PARTS LIST FOR NEWER STYLE INDICATOR

- | | |
|---------------------------|--|
| 1. Scale | 10. Dowel Pin, |
| 2. Indicator Screw | 11. Rack |
| 3. Connection Nut (upper) | 12. Roll Pin, |
| 4. Connection Nut (lower) | 13. Adjustment Lock Cover |
| 5. Adjustment Lock Plate | 14. Spring |
| 6. Slide Adj. Lock Nut | 15. Knurled Nut |
| 7. Stud, | 16. Gear Rack Holder |
| 8. Slotted Hex Nut | 17. Dowel Pin, |
| 9. Pipe Plug, | 18. Soc.Hd.Cap Screws,
Connection Screw, New style
Connection Screw, Old style |

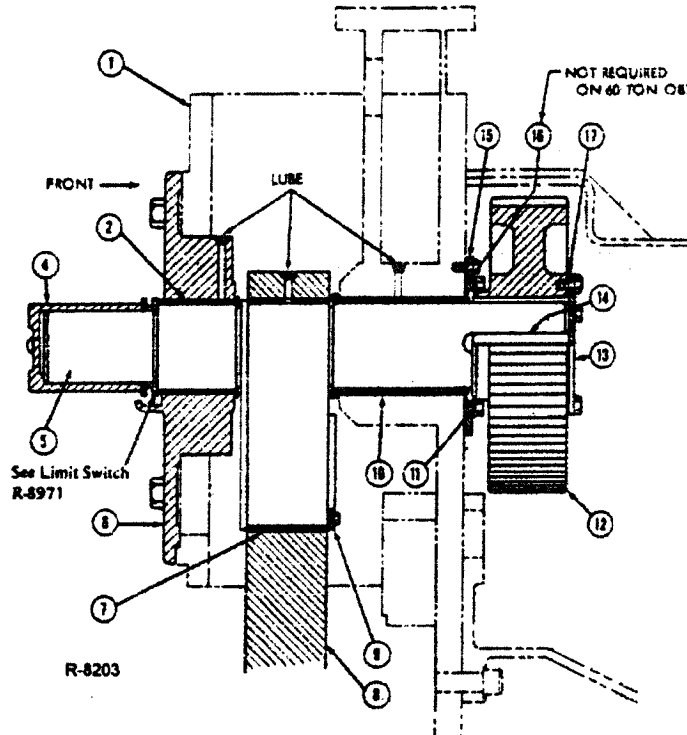


PARTS LIST FOR OLDER STYLE INDICATOR

- | |
|--------------------|
| 1. Scale |
| 2. Indicator Screw |
| 3. Connection Nut |
| 4. Adj. Lock Plate |

R-8207
Ref.Layout

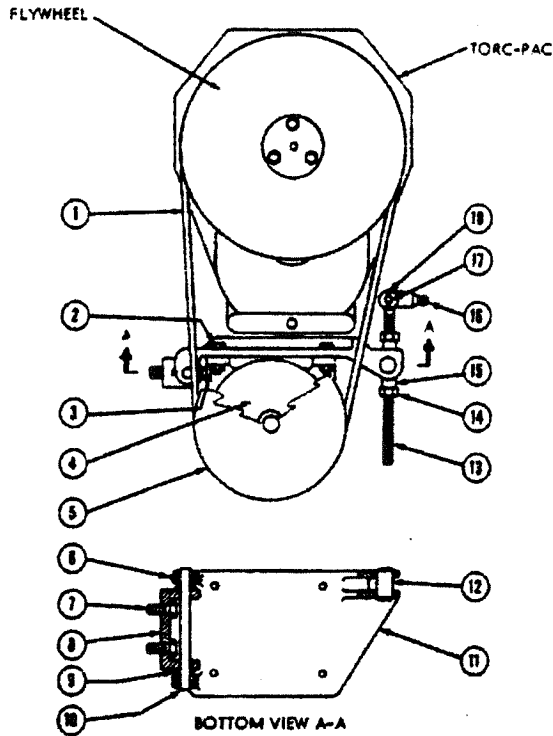
HEAD ASS'Y 22 Ton OBI



R-8203

- 1. Head
- 2.*Ecc.Bushing F.
- 3.
- 4. Lock Sleeve
- 5. Ecc. Shaft
- 6. Front Cover
- 7.*Ecc. Bushing
- 8. Connection Strap
- 9. Retainer Ring

- 10.*Ecc.Bushing R.
- 11.*Oil Seal,
- 12. Main Gear, Standard
Main Gear, Hi-Speed
- 13. Shaft End Cover
- 14. Main Gear Key
- 15. Seal Housing
- 16. Gasket,
- 17. Gasket,



MOTOR DRIVE

22 Ton OBI

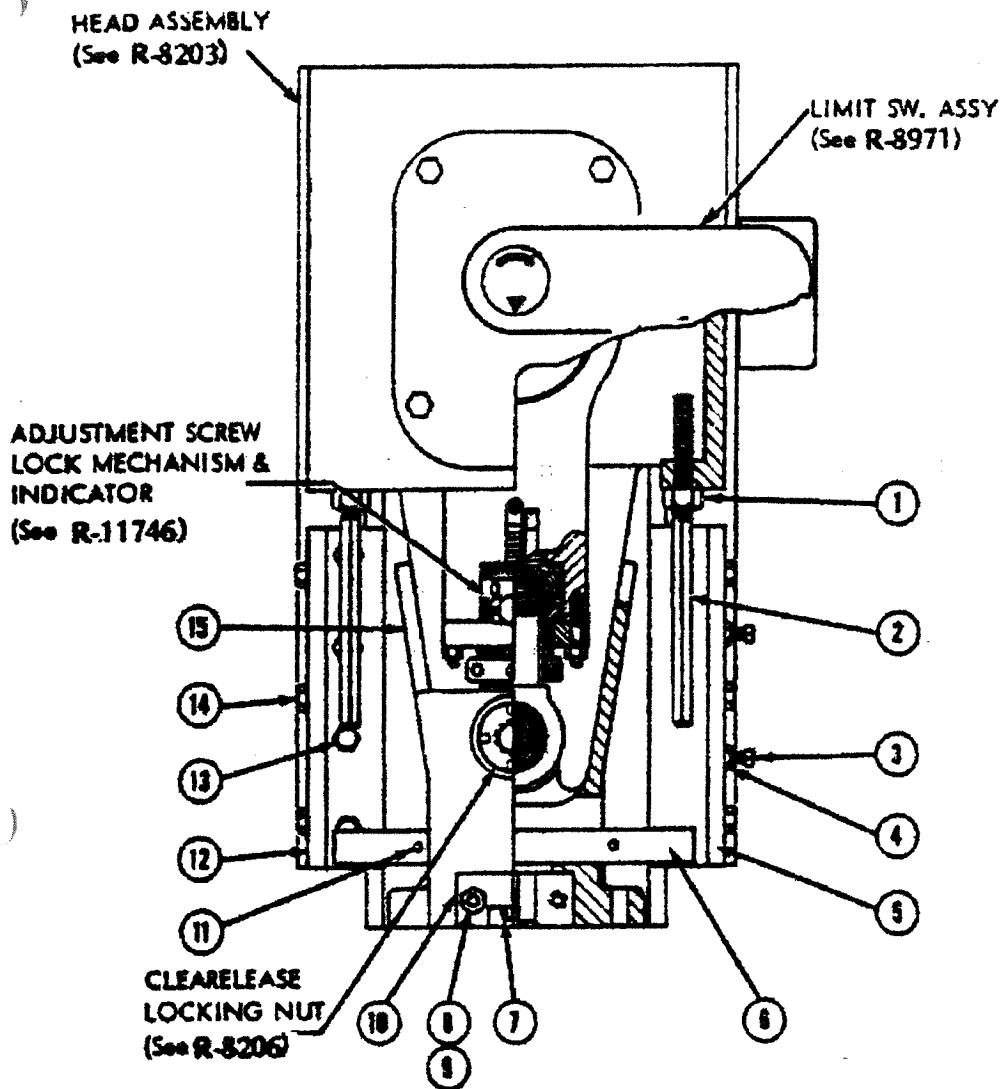
R-8204

- 1.* Vbelts
- 2. Hx.Hd.Cap Screws
- 3. Security Locknut
- 4. Main Motor
- 5. Sheave
- 6. Cotter Pins
- 7. Hx.Hd.Cap Screws
- 8. Bracket
- 9. Washers

- 10. Motor Support Pin
- 11. Motor Support
- 12. Pivot Pin
- 13. Rod End
- 14. Hex. Nut,
- 15. Spacers
- 16. Threaded Yoke
- 17. Pin
- 18. Cotter Pins

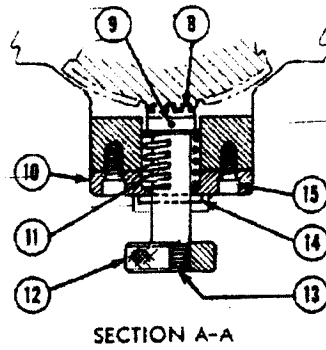
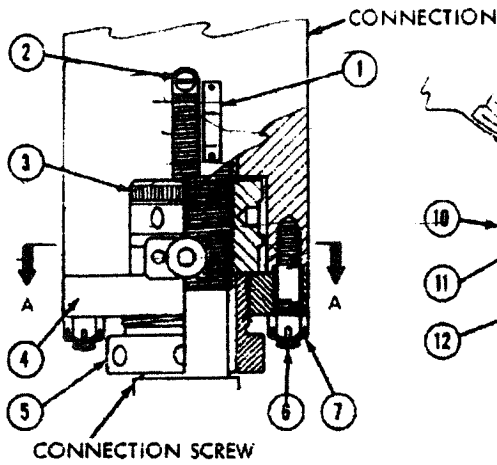
SLIDE ADJUSTMENT

22 Ton OBI



R-8205

- | | |
|--------------------|---------------------|
| 1. Hex Nut, | 9. Hex Nut, |
| 2. Knockout Rod | 10. Slide Cap |
| 3. Sq.Hd.Set Scrw. | 11. Roll Pin |
| 4. Jamb Nut, | 12. L.H. Gib |
| 5. R.H. Gib | 13. Hx.Hd.Cap Scrw, |
| 6. Knockout Bar | 14. Hx.Hd.Cap Scrw, |
| 7. Hx.Hd.Cap Scrw. | 15. Slide |
| 8. Stud, | |



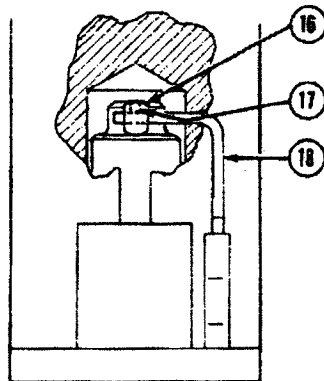
NEW STYLE ADJUSTMENT SCREW LOCK

22 Ton OBI

R-8207

- 1. Scale
- 2. Indicator Screw
- 3. Connection Nut
- 4. Adj. Lock Plate
- 5. Sl. Adj. Locknut
- 6. Stud
- 7. Slotted Hx. Nut
- 8. Rack

- 9. Roll Pin
- 10. Adj. Lock Cover
- 11. Spring
- 12. Knurled Nut
- 13. Gear Rack Holder
- 14. Dowel Pin
- 15. Soc.Hd.Set Screw (2)



OLD STYLE ADJUSTMENT SCREW LOCK

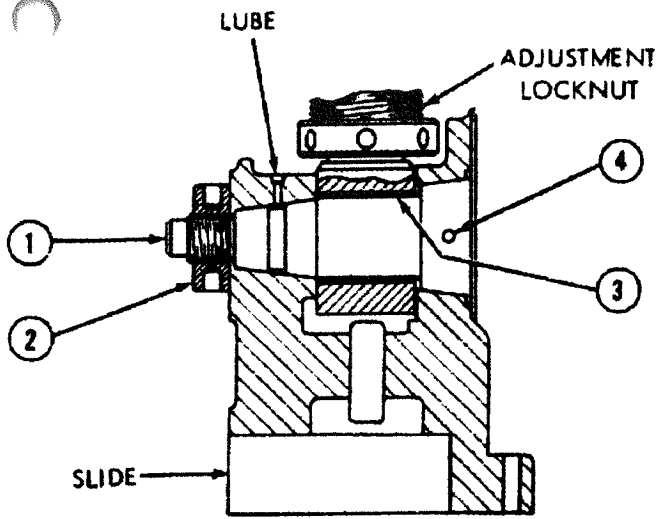
22 Ton OBI

- 16. Latch Screw
- 17. Set Screw
- 18. Indicator

**CLEARELEASE
MECHANISM**

22 Ton OBI

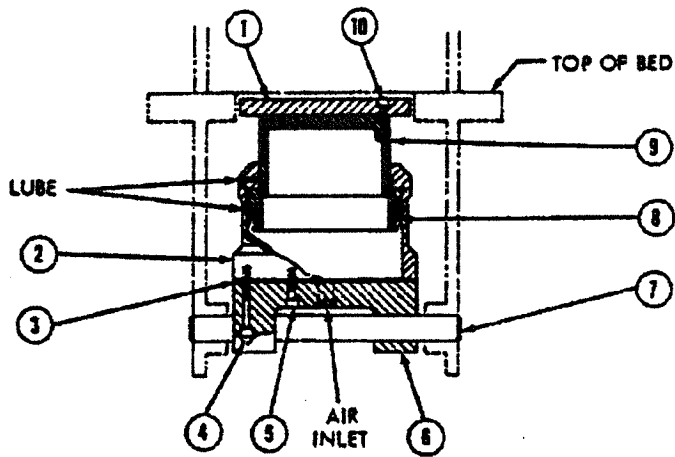
R-8206



- 1. Wrist Pin
- 2. Locking Nut

- 3. Wrist Pin Bushing
- 4. Locating Dowel

22



Cushion Assembly

22 Ton OBI

R-8210

- | | |
|---------------------|----------------------|
| 1. Pressure Plate | 6. Cushion Support |
| 2. Cushion Cylinder | 7. Support Pin |
| 3. Gasket | 8. * 'U'-Packing |
| 4. Soc.Hd.Cap Scrw. | 9. Cushion Piston |
| 5. Soc.Hd.Cap Scrw. | 10. Soc.Hd.Cap Scrw, |

6" Cushion; 1.4 tons @ 100 psi; 2" stroke