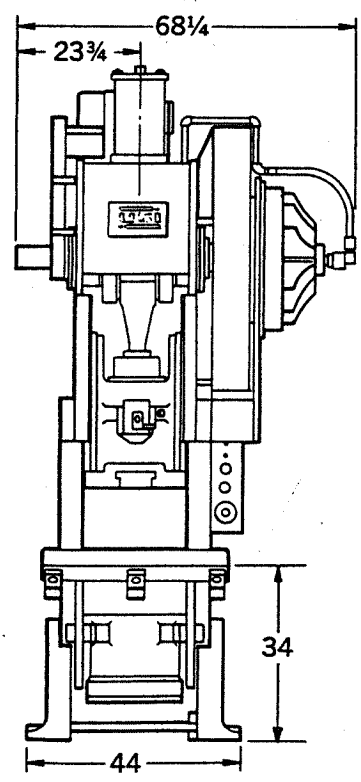
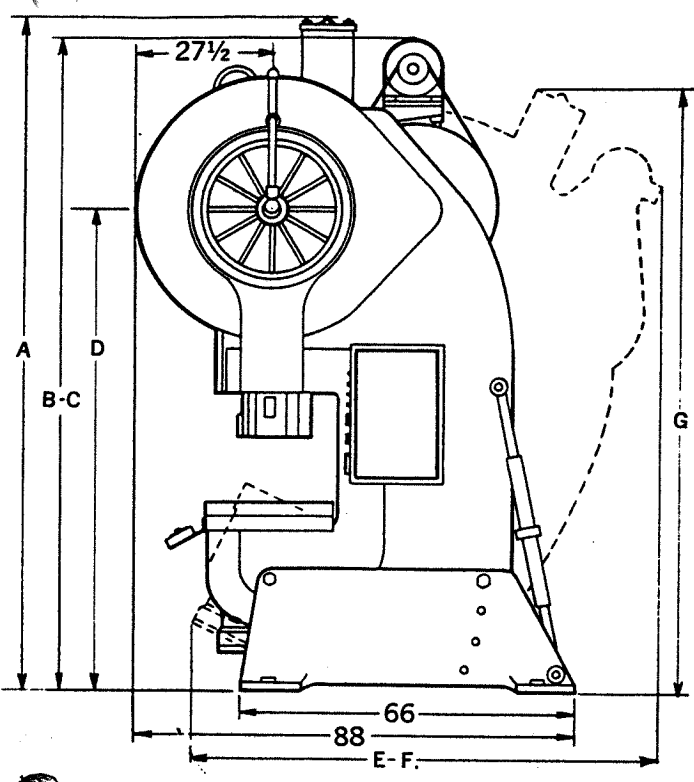


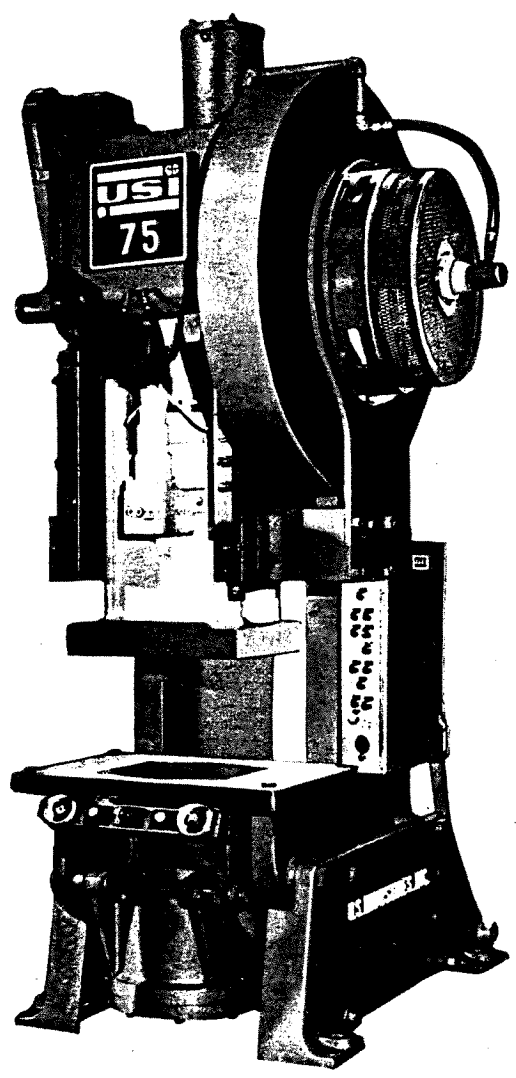
INCLINABLE PRESSES



FRAME DIMENSIONS



	A	B	C	D	E	F	G
		Std Mtr.	Var. Sp. Mtr.		Std Mtr.	Var. Sp. Mtr.	
Standard	128 3/4	126 7/8	130 1/4	90%	90%	110 1/4	115 3/4
High Body	132 3/4	130%	134 1/4	94%	92	111 3/4	119 1/2

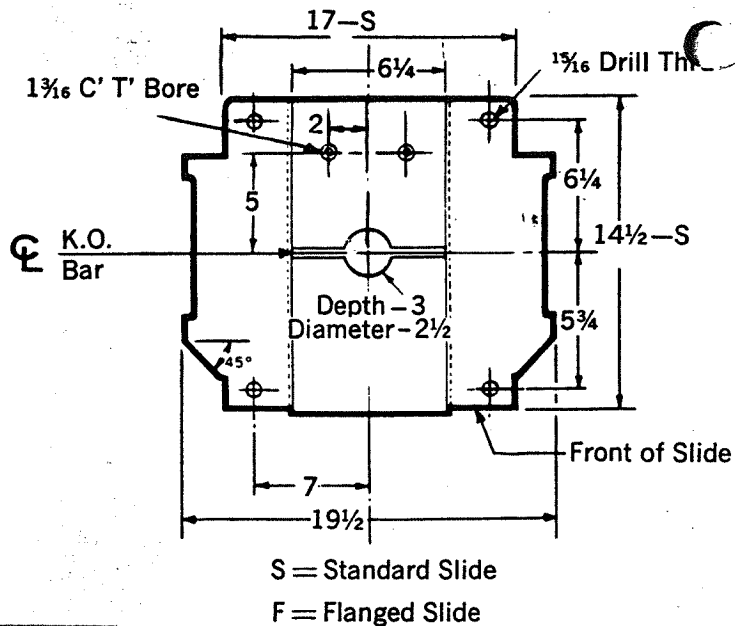
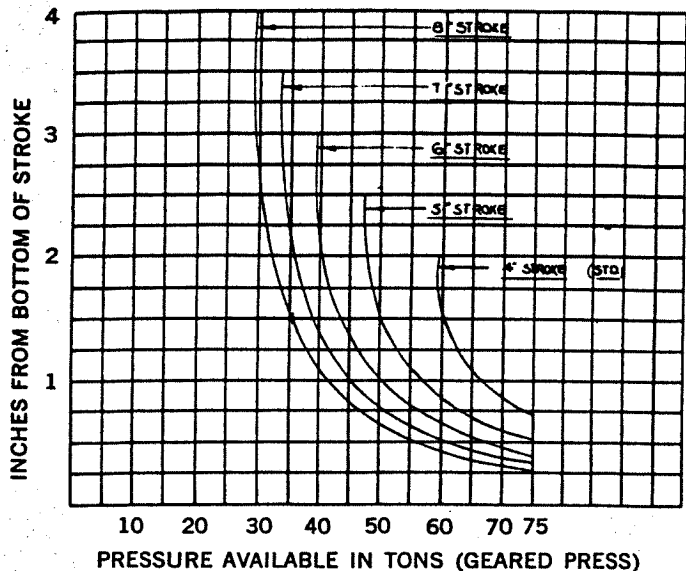


SHIPPING WEIGHT OF ASSEMBLED STANDARD BODY 75 TON CAPACITY PRESS WITH COUNTER-BALANCE CYLINDER AND BOLSTER IN PLACE:

FLYWHEEL	15,500 pds.
GEARED	16,000 pds.

75 TON HEAVY SERIES OPEN BACK

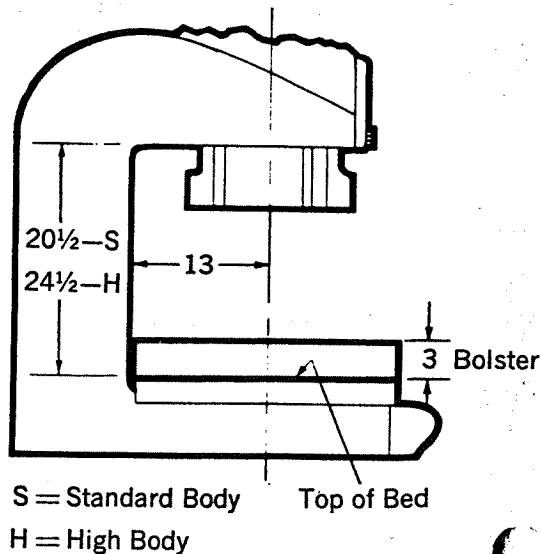
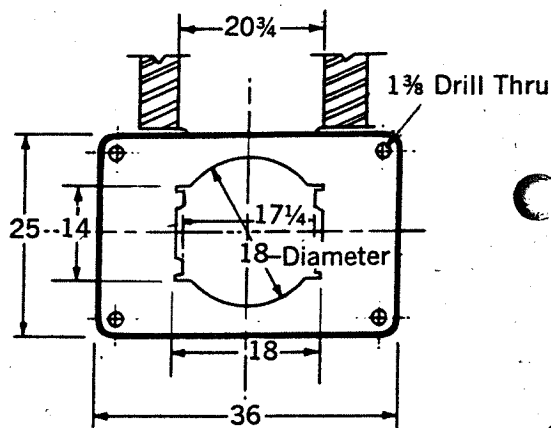
TRUE CAPACITY CURVE

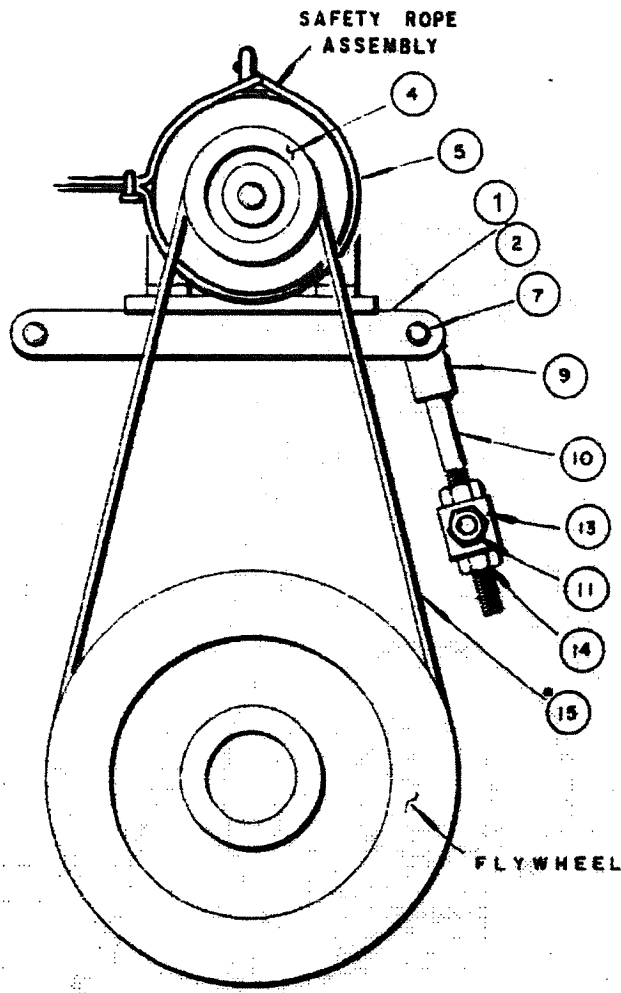


SPECIFICATIONS	GEARED	NON-GEARED
Capacity	75 tons	75 tons
Type of Frame	Steel Weldment	Steel Weldment
Bolster Size (LR x FB)	36 x 25	36 x 25
Single Speed		
Strokes per Minute, Std.	40	90
Strokes per Minute, Max.	60	120
Variable Speed		
Strokes per Minute	40-80	80-160
Slide Adjustment	3	3
Motor Horsepower	7 1/2	7 1/2
Motor RPM	1800	900
Driveshaft RPM (@ Std. SPM)	300	-
Flywheel Diameter	33	48
Flywheel Face	5	8 1/2
Flywheel Weight, Pounds	1,130	1,690
Main Gear Pitch Diameter	48	-
Crankshaft at Main Bearings, Diameter	4 3/4	4 3/4
Crankshaft at Crank Pin, Diameter	5 3/4	5 3/4
Cushions, Optional		
Double Cylinder, Diameter	8-16	8-16
Single Cylinder, Diameter	16	16
Capacity at 100 psi		
Double, Tons	12.5	12.5
Single, Tons	10.1	10.1
Cushion Stroke	4	4

Stroke, Inches	Standard Body Shutheight	High Body Shutheight
2	16 3/4	20 3/4
3	16 1/4	20 1/4
4 (Std.)	15 3/4	19 3/4
5	14 3/4	18 3/4
6	13 3/4	17 3/4
7	12 3/4	16 3/4
8	11 3/4	15 3/4

Shutheight—stroke down, adjustment up (face of slide to top of bed)
 Flanged Slide (inches shutheight reduced) 4 3/4 4 3/4





**MOTOR DRIVE
GEARED**

75 Ton OBI

R-7483

- 1. Motor Base
- 2. Pivot Pin
- 3.
- 4. Sheave
- 5. Motor
- 6.
- 7. Clevis Pin

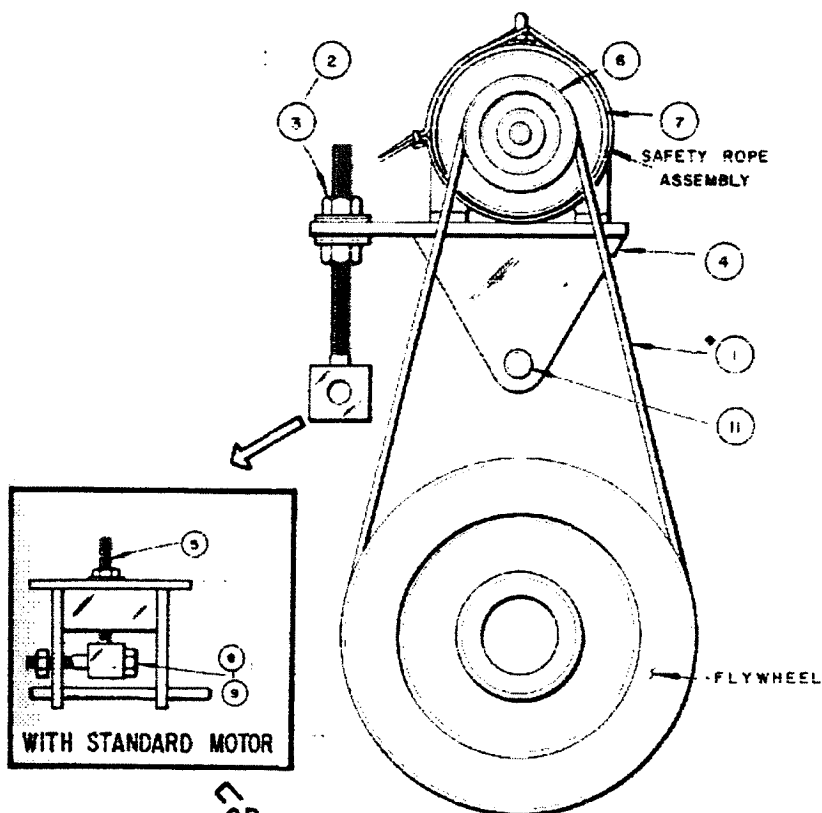
- 9. Motor Base Pivot
- 10. Adjustment Stud
- 11. Hex Jam Nut,
- 12.
- 13. Pivot Block
- 14. Hex Nut,
- 15. * "V"-Belt

#5
MOTOR

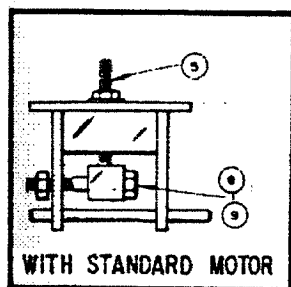
MOTOR DRIVE FLYWHEEL

75 Ton OBI

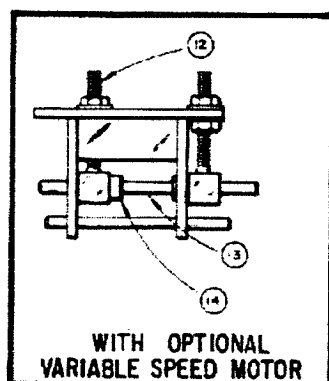
VARIABLE SPEED
OPTIONAL



R-8582

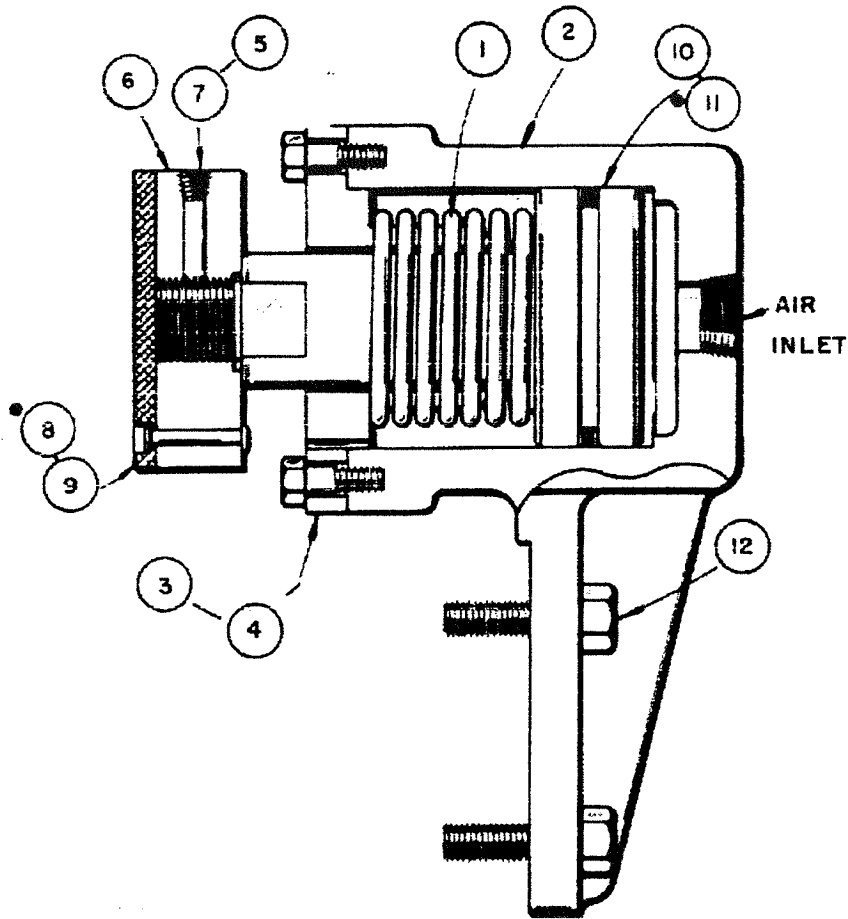


OR



1. "V"-Belts
2. Nut (2)
3. Spher. Washer (2)
4. Motor Base
5. Support, 3/4"-10
6. Motor Sheave
7. Motor
8. Cap Screw
9. Locknut,
10. Ring
11. Pin
12. Support (2)
13. Pin (2)
14. Collar (2)

75



**FLYWHEEL BRAKE
GEARED**

75 TON OBI

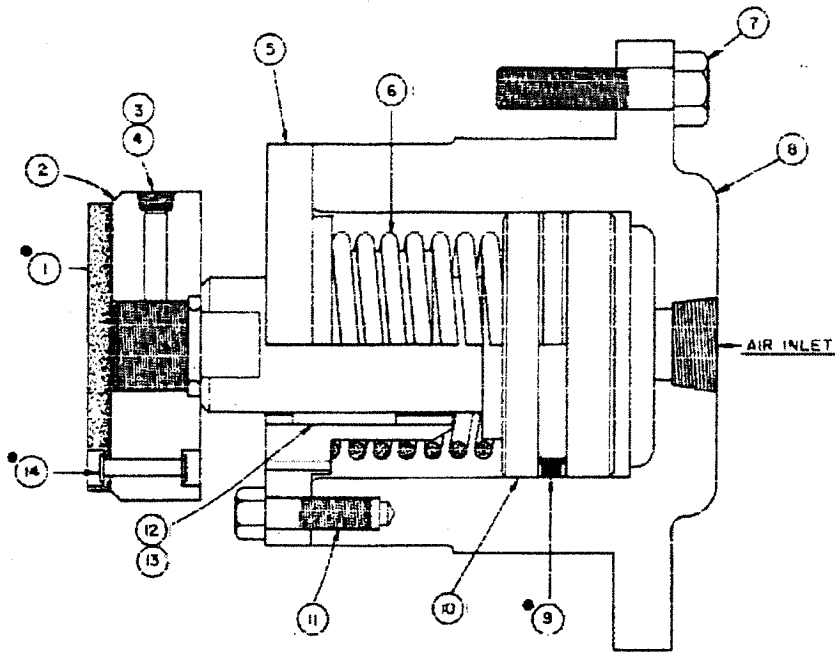
OPTIONAL

R-6686

- 1. Spring
- 2. Housing
- 3. Cap
- 4. Hex Hd. Cap Screw
- 5. Pipe Plug
- 6. Brake Shoe

- 7. Dowel Pin
- 8.* Lining
- 9. Rivet
- 10. Piston
- 11.* Packing, Palmetto
- 12. H.H.CapScrew (4)

75



FLYWHEEL BRAKE FLYWHEEL

75 Ton OBI

OPTIONAL

R-11178

- 1.* Brake Lining
- 2. Brake Shoe
- 3. Pipe Plug
- 4. Dowel Pin
- 5. Housing Cap
- 6. Spring
- 7. H.H.C.S,

- 8. Housing
- 9.* Packing
- 10. Piston
- 11. H.H.Cap Screw (4)
- 12. Key
- 13. Soc.H.Cap Scrw,
- 14.* Brass Rivet

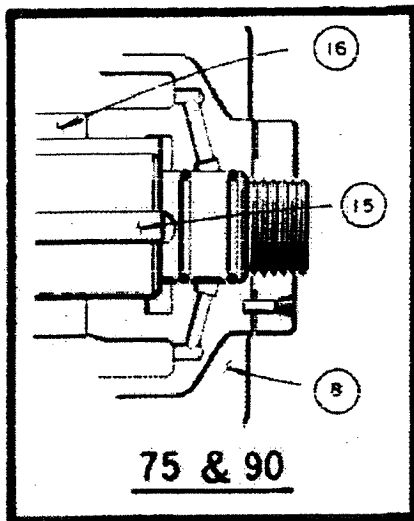
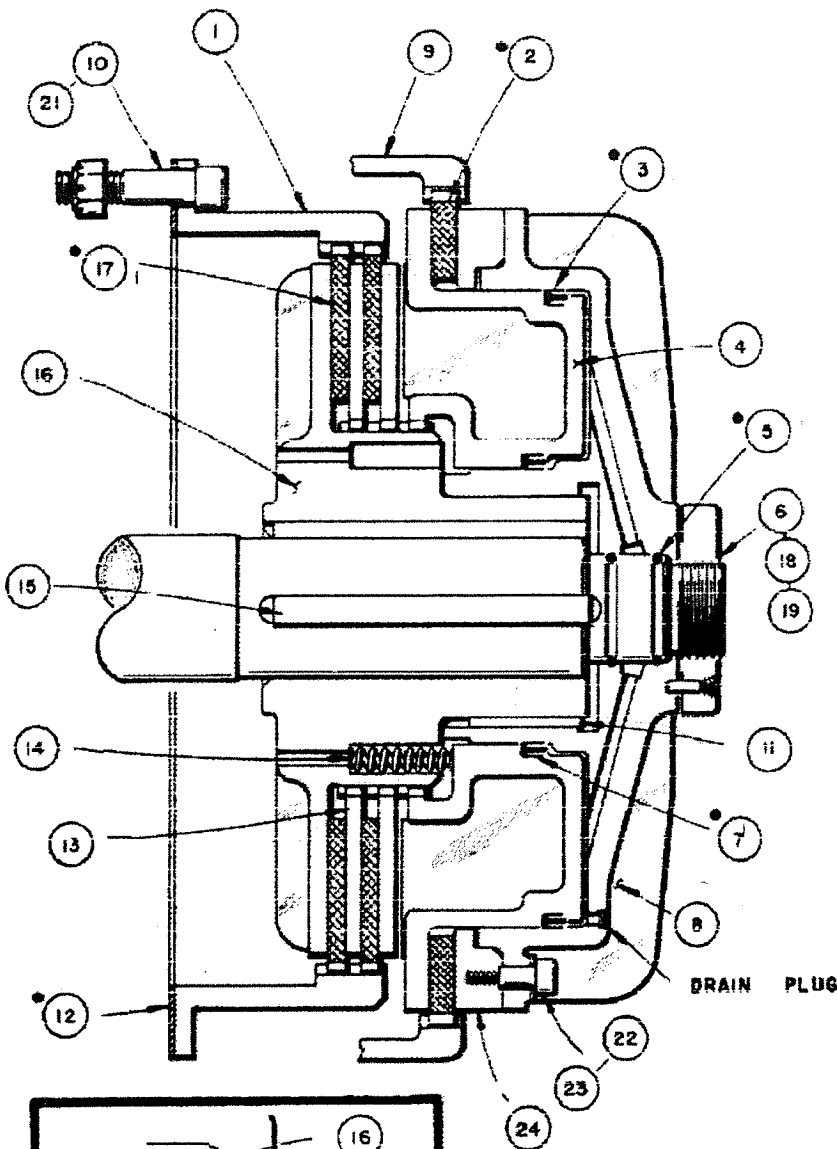
Note: Brake shoe, Item #2, is sold as a complete unit and includes items #1 (lining) and item #14 (rivets).

CLUTCH & BRAKE GEARED OR FLYWHEEL

75 Ton OBI

STANDARD

R-8913
Ref. Drwg.

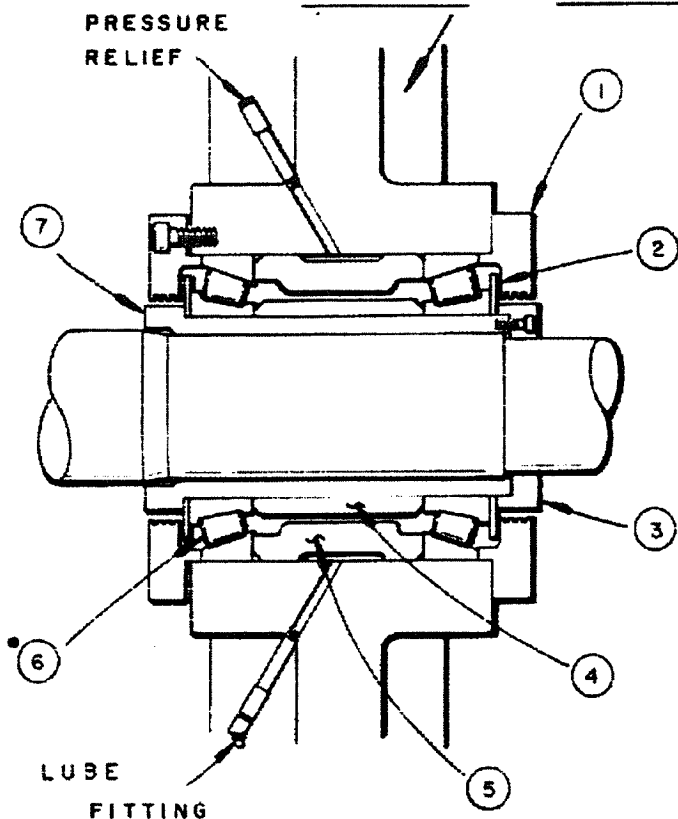


1. Clutch Drive Ring
- 2.* Brake Fric. Disc
- 3.* Outer "E"-Packing
4. Piston
- ② 5. "O"-Ring.
6. Locknut
7. Inner "E"-Packing
8. Clutch Cylinder
- 9.
10. Cap Screw
11. Key
- 12.* Gasket, 1/16"
13. Interm. Disc (2)
14. Spring,
15. Key,
16. Clutch Drive Hub
- 17.* Clutch Friction
18. Dowel Pin
19. Pipe Plug
- 20.
21. Locknut
22. Shoulder Scr, 1/2-13
23. Shim
24. Spacer

Note:
Shaft diameter on 75 ton OBI - 4-7/16"

Rotary Union: 1" with 3/4" adaptor,

MAIN GEAR OR FLYWHEEL



MAIN GEAR BEARING OR FLYWHEEL BEARING

75 Ton OBI

STANDARD

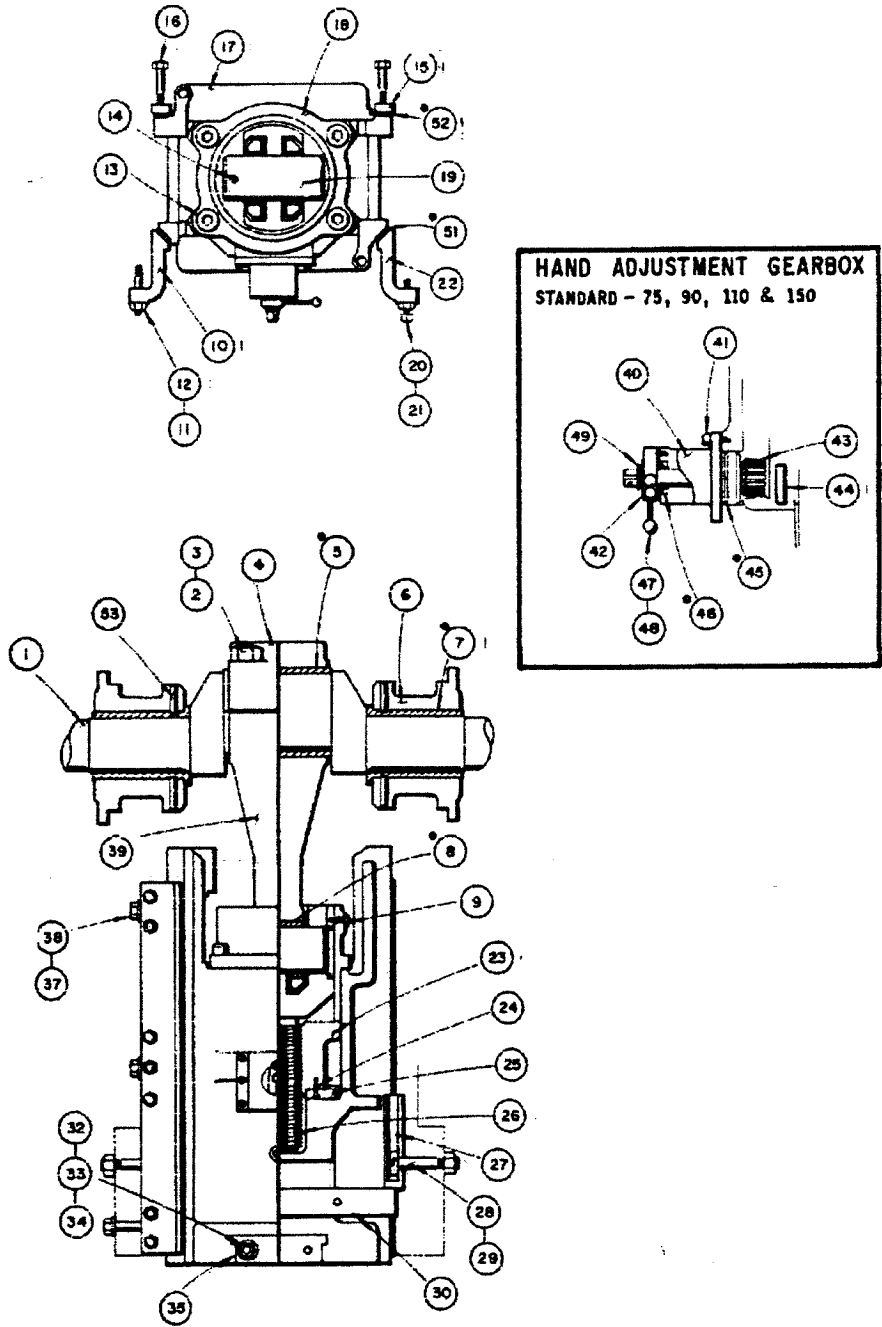
R-8838

Lube fitting - 1/8"

- 1. Retainer (2)
- 2. Slinger Plate (2)
- 3. Retainer
- 4. Cone Spacer
- 5. Cup Spacer
- 6.* Bearing (2)

7. Spacer

SLIDE ASSEMBLY 75 Ton OBI STANDARD R-10278



Slide Assembly 75 Ton Obi R-10278

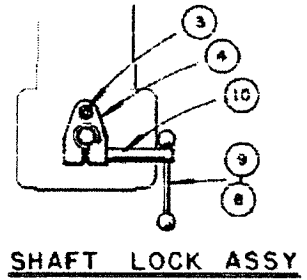
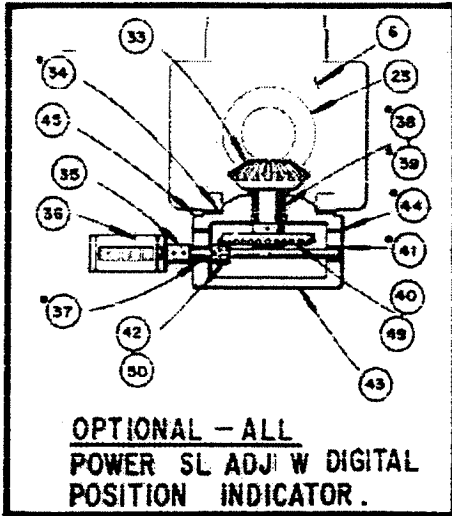
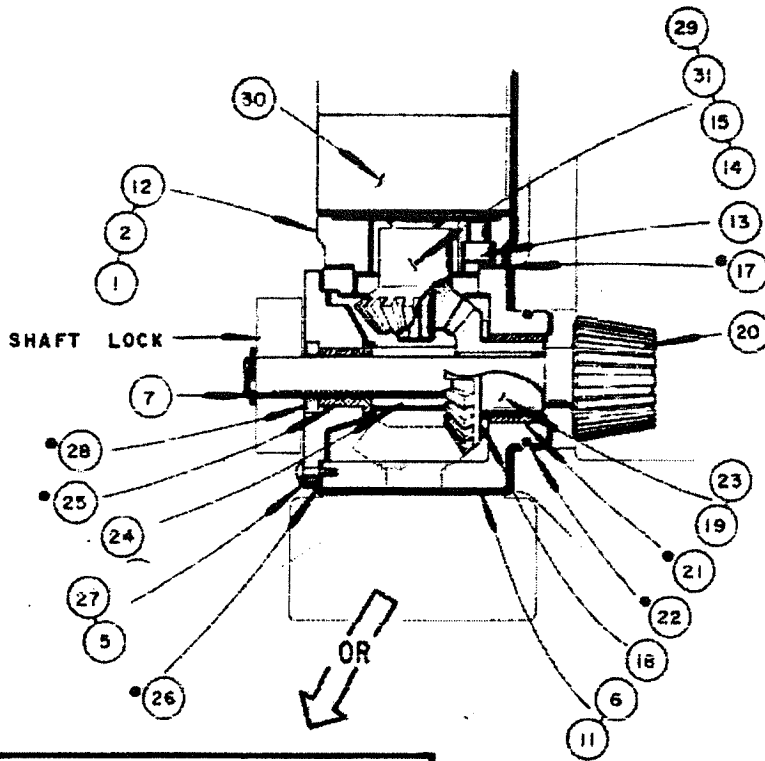
1. Crankshaft
3. Hex Hd.Cap.Scr.
4. Connection Cap
- 5.* Bushing
6. Bearing Retainer (2)
- 7.* Bushing (2)
- 8.* Wrist Pin Bushing
9. Stop Screw
10. Front Gibs (2)
11. Hex Nut
12. Stud
13. Cap Screw
14. Dowel Pin
15. Rear Gibs (2)
16. Cap Screw (8)
17. Slide
18. Slide Adjust Housing
19. Wrist Pin,
20. Sq.Hd.Jack Screw
21. Jam Nut (6)
23. Connection Screw Nut
24. Flat Hd.Mach.Scr. (4)
25. Bevel Gear
26. Connection Screw
27. Knockout Bar Stop (2)
28. T'-Bolt (2)
29. Nut (2)
30. Knockout Bar
32. Soc.Hd.Cap Screw
35. Slide Cap
37. Plain Washer (6)
38. Cap Screw, (6)
39. Connection Strap
40. Housing
41. Cap Screw (6)
42. Shaft Lock
43. Bevel Pinion (hand)
44. Dowel Pin (4)
- 45.* 'O'-Ring
- 46.* Oil Seal, CROS #9934
47. Handle Stud
48. Control Knob
49. Retaining Ring, TruArc
51. Wear Strip (2, front) Standard Sl.
52. Wear Strip (2, rear) Standard Sl.
Wear Strip (2, front) Flanged Sl.
Wear Strip (2, rear) Flanged Sl.

POWER SLIDE ADJUSTMENT GEARBOX

75 Ton OBI

OPTIONAL

R-10466



- 1. Cap Screw (4)
- 2. Oil Cup
- 3. Cap Screw
- 4. Shaft Lock
- 5. Cap Screw (6)
- 6. Gear Housing
- 7. Retaining Ring
- 8. Knob (2)
- 9. Handle
- 10. Lock Stud
- 11. Cap Screw
- 12. Motor Base
- 13. Cap Screw (3)
- 14. Roll Pin,
- 15. Set Screw
- 17.* Gasket
- 18. Spacer
- 19. Key
- 20. Bevel Pinion Shaft
- 21.* Bushing
- 22.* "O"-Ring
- 23. Bevel Gear Pinion
- 24. Spacer
- 25.* Bushing

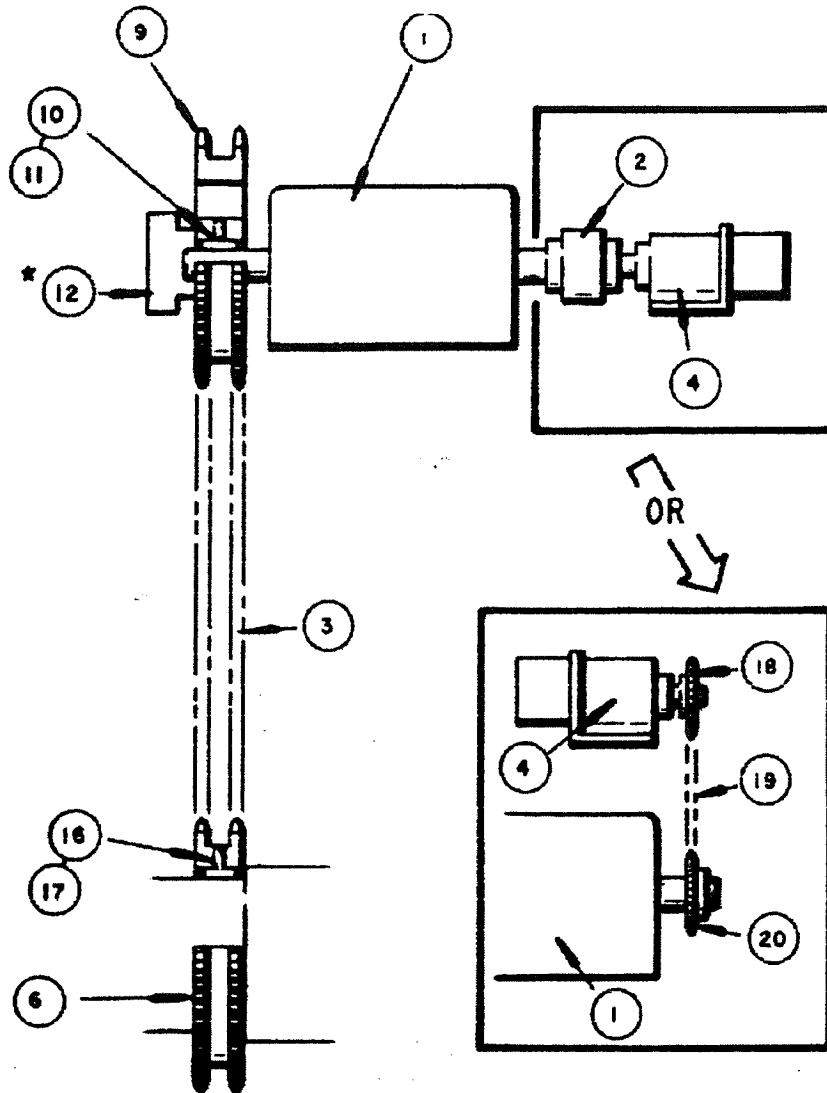
- 26.* Gasket
- 28.* Oil Seal
- 30. Air Motor,
- 32.
- 34.* Gasket
- 36. Counter
- 38.* Bushing
- 40. Bevel Gear
- 42. Bevel Pinion
- 44.* Gasket
- 49. Roll Pin

- 27. Retainer
- 29. Bevel Pinion, 15T
- 31. Key
- 33. Bevel Pinion
- 35. Coupling
- 37.* Bushing
- 39.* Oil Seal
- 41.* Bushing
- 43. Housing
- 45. Housing Cap
- 50. Roll Pin

LIMIT SWITCH DRIVE

75 Ton OBI

STANDARD



R-8971

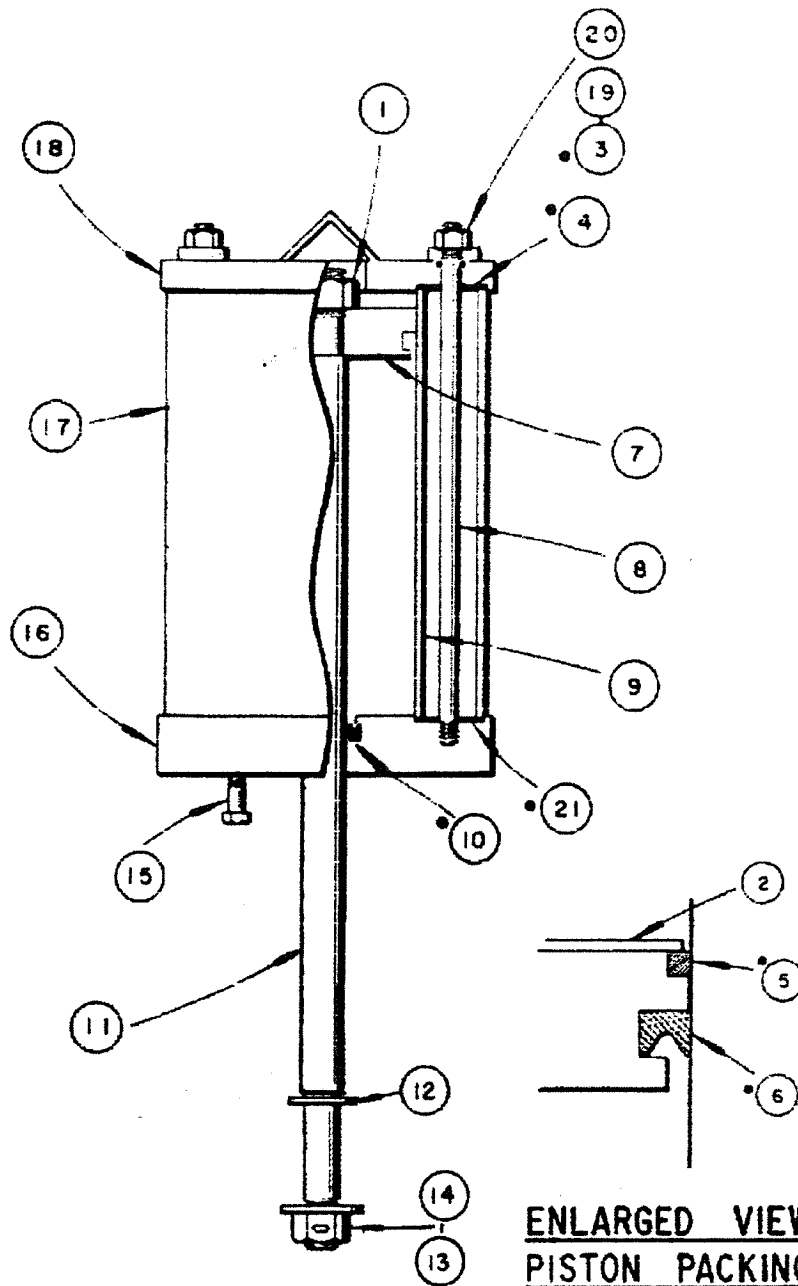
- 1. Limit Switch;
- 2. Coupling
- 3. Chain,
- 4. Motion Detector
- 6. Drive Sprocket,
- 9. Driven Sprocket,
- 10. Set-Screw
- 11. Key
- 12. External Adjust Mech.
- 16. Set Screw
- 17. Key
- 18. Sprocket
- 19. Chain,
- 20. Sprocket

COUNTERBALANCE CYLINDER

75 Ton OBI

OPTIONAL

R-11076

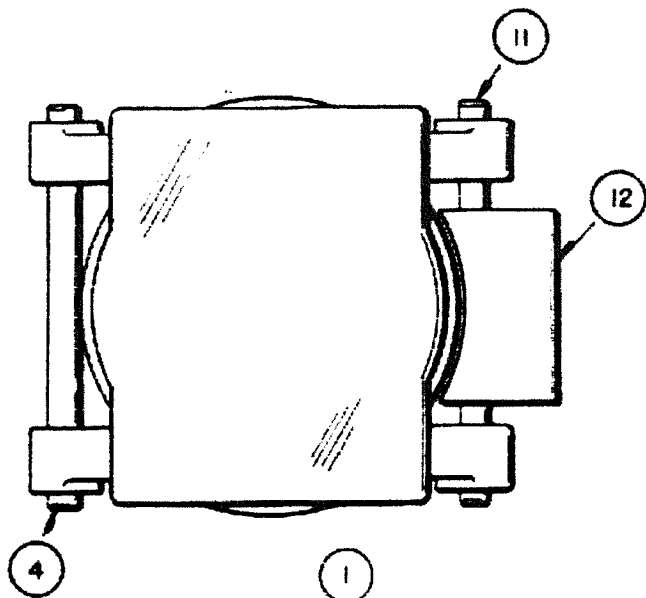


1. Locknut
 2. Washer
 3. * "O"-Ring, Note 1
 4. Gasket.
 5. * Felt Washer
 6. * "U"-Packing
 7. Piston
 8. Tie Rod (4)
 9. Inner Cylinder
 10. * "U"-Pkg,
 11. Piston Shaft
 12. Washer,
 13. Cotter Pin,
 14. Locknut
 15. Soc.Hd.Cap Scrw,
 16. Cylinder Head
 17. Outer Cylinder
 18. Cylinder Cover
 19. Washer (4)
 20. Hex Nut (4)
- Slide Ctr.Bal.Bracket

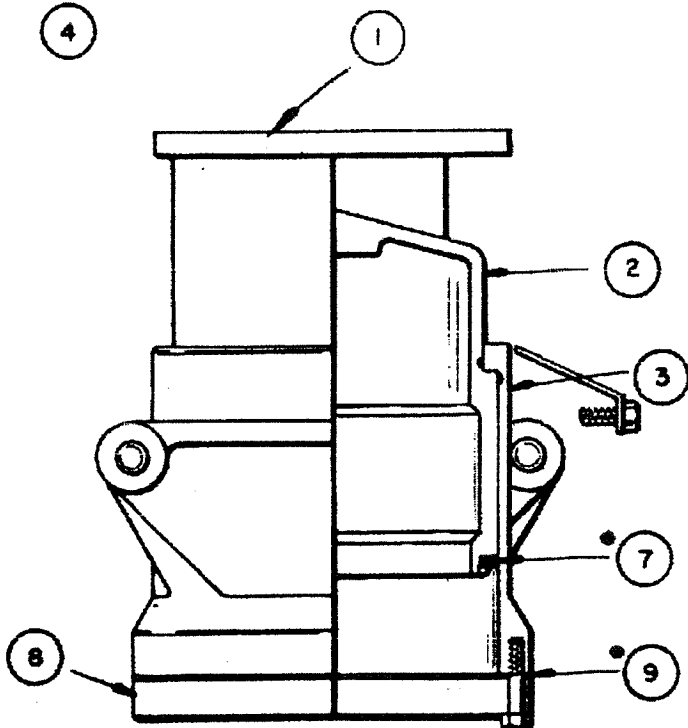
**ENLARGED VIEW
PISTON PACKING**

Note: If Items #16 & #18 are square, Item #3 not needed. If round, then O-Rings will be needed.

CUSHION
75 Ton OBI
OPTIONAL



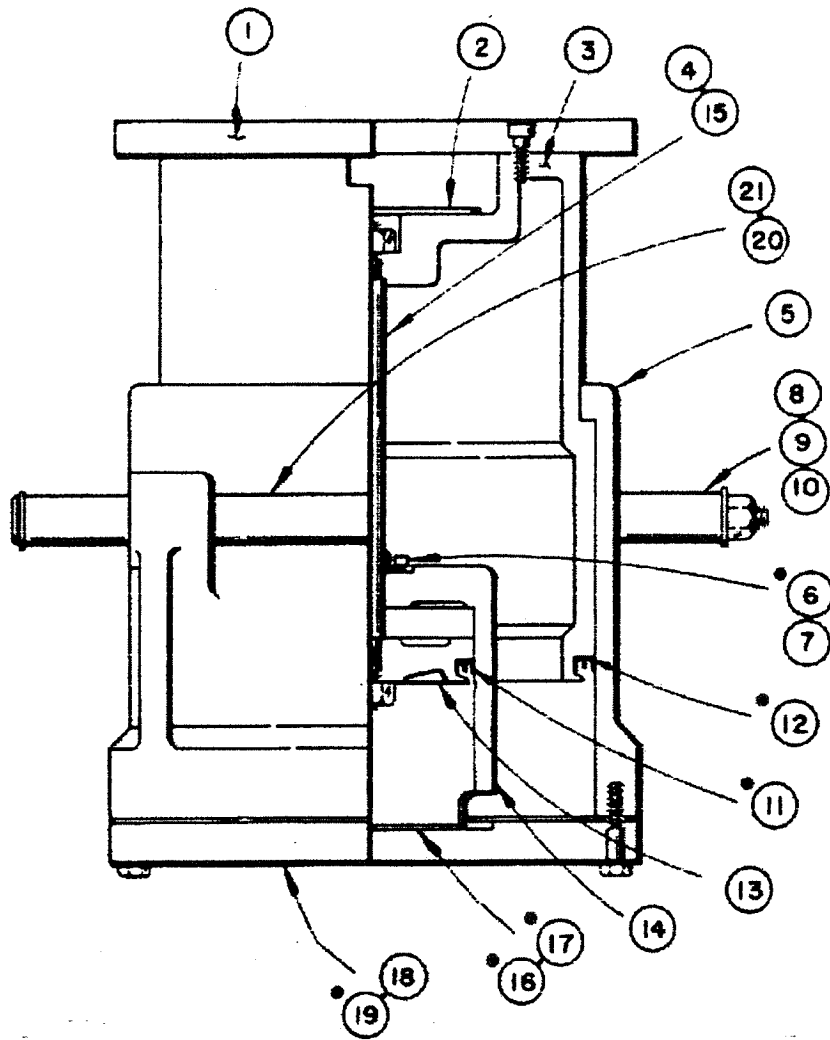
R-11209



- 1. Pressure Pad
- 2. Piston
- 3. Cylinder
- 4. Support Rod - Front
Retaining Rings (2)

- 7.* Packing, 16"
- 8. Cylinder Cover
H.H.C.S. (8)
- 9.* Gasket
- 11. Support Rod - Rear
- 12. Cover Shield

16" CUSHION
10.1 Tons @ 100 psi
4" stroke



DOUBLE CUSHION

75 Ton OBI

OPTIONAL

R-11106

1. Pressure Pad
2. Cover Plate
3. Outer Piston
4. Piston Shaft
5. Cylinder, 16"
- 6.* Flange Packing
7. Retainer
8. Washer (2)
9. Locknut (2),
10. Support Rod-Rear
- 11.* "E"-Packing, 8"
- 12.* "E"-Packing, 16"
13. Inner Piston
14. Cylinder, 8"
15. Piston Nut (2)
- 16.* Gasket - Rear
- 17.* Gasket - Front
18. Cylinder Cover
- 19.* Gasket
20. Retaining Ring (2)
21. Support Rod - F

I-16"-8" CUSHION
 12.5 Tons @ 100 psi
 4" stroke