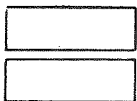
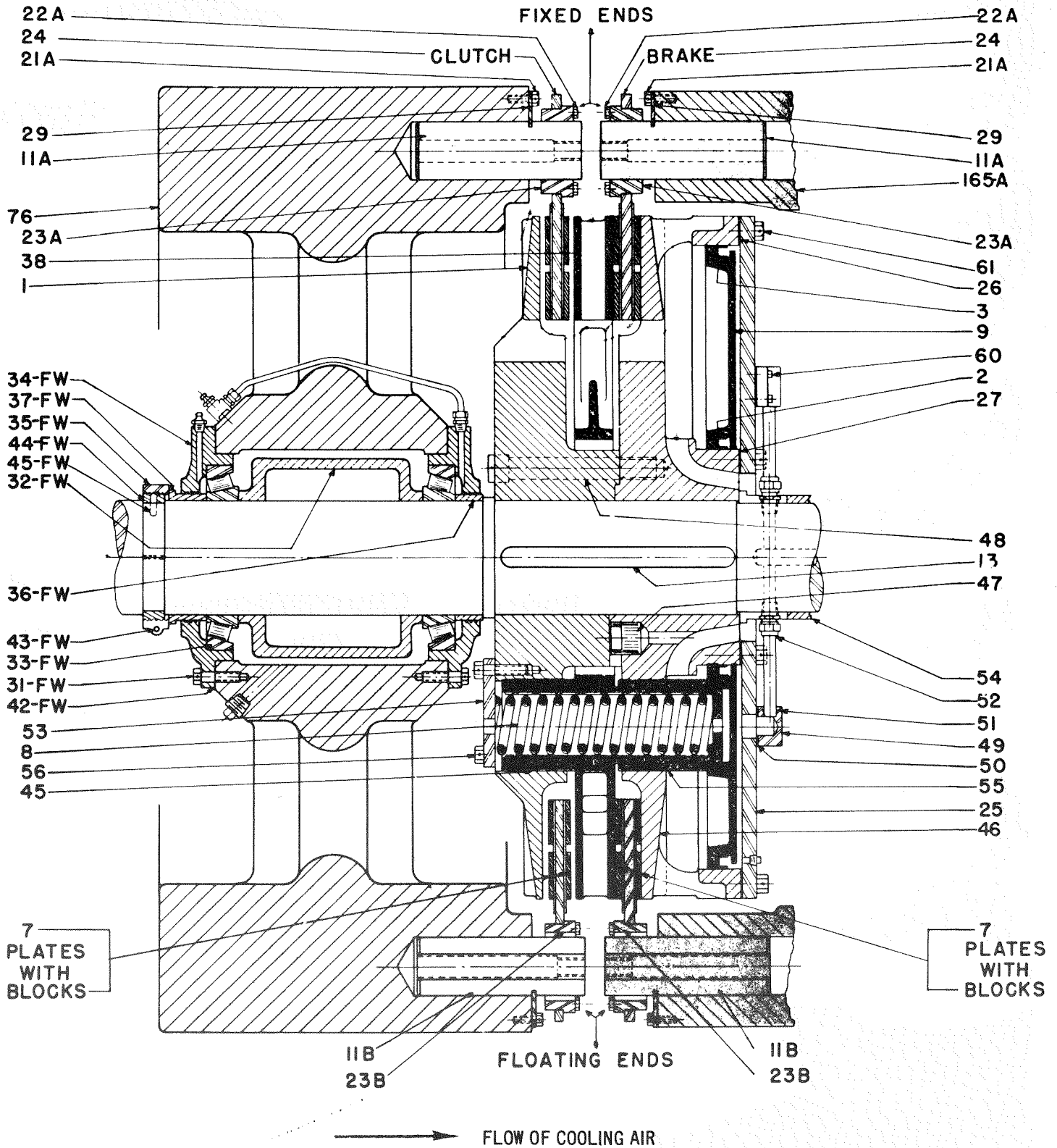


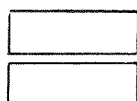
BLISS TYPE "K" SINGLE DISC CLUTCH



ATTACHED TO FRAME



ACTUATING MECHANISM



ATTACHED TO FLYWHEEL



ATTACHED TO SHAFT

See Page 4 for Parts List

BLISS TYPE "K" SINGLE DISC CLUTCH

MODEL "C"

Part No.	Name
1	-CLUTCH BODY
2	-PISTON PACKING - INNER
3	-PISTON PACKING - OUTER
7	-FRICTION BLOCKS & PLATE ASSEMBLY
8	-SPRING - OUTER
8-A	-SPRING - INNER
9	-PISTON
11-A	-FRICTION DISC PIN - FIXED END
11-B	-FRICTION DISC PIN - FLOATING END
13	-CLUTCH KEY
21-A	-FRICTION DISC PIN PLATE SCREW
22-A	-FRICTION DISC SLEEVE SCREW
23-A	-FRICTION DISC SLEEVE - FIXED
23-B	-FRICTION DISC SLEEVE - FLOATING
24	-FRICTION DISC
25	-CYLINDER HEAD
26	-CYLINDER HEAD GASKET - OUTER
27	-CYLINDER HEAD GASKET - INNER
29	-FRICTION DISC PIN PLATE
38	-DRIVING DISC
45	-DRIVING PIN
46	-CYLINDER
47	-BODY DOWEL
48	-BODY SCREW
49	-AIR TUBE BLOCK
50	-AIR TUBE BLOCK GASKET
51	-AIR TUBE PACKING
52	-AIR TUBE & COUPLING ASSEMBLY
53	-SPRING RETAINER PLATE
54	-SHAFT SPACER
55	-DRIVING PIN SLEEVE
56	-SPRING RETAINER PLATE SCREW
59-A	-FRICTION PLATE BOLT & LOCK NUT
60	-AIR TUBE BLOCK SCREW
61	-CYLINDER HEAD SCREW
76	-FLYWHEEL
165-A	-BRAKE BRACKET
31-FW	-FLYWHEEL BEARING RETAINER SCREW
32-FW	-FLYWHEEL BEARING SPACER - CENTER
33-FW	-FLYWHEEL BEARING
34-FW	-FLYWHEEL BEARING RETAINER
35-FW	-FLYWHEEL OUTER CLAMP RING
36-FW	-FLYWHEEL BEARING SPACER - TO CLUTCH
37-FW	-FLYWHEEL BEARING SPACER - TO CLAMP RING
42-FW	-FLYWHEEL BEARING ADJUSTING SHIM
43-FW	-FLYWHEEL CLAMPING RING SCREW
44-FW	-FLYWHEEL INNER CLAMP RING
45-FW	-FLYWHEEL CLAMP RING DOWEL

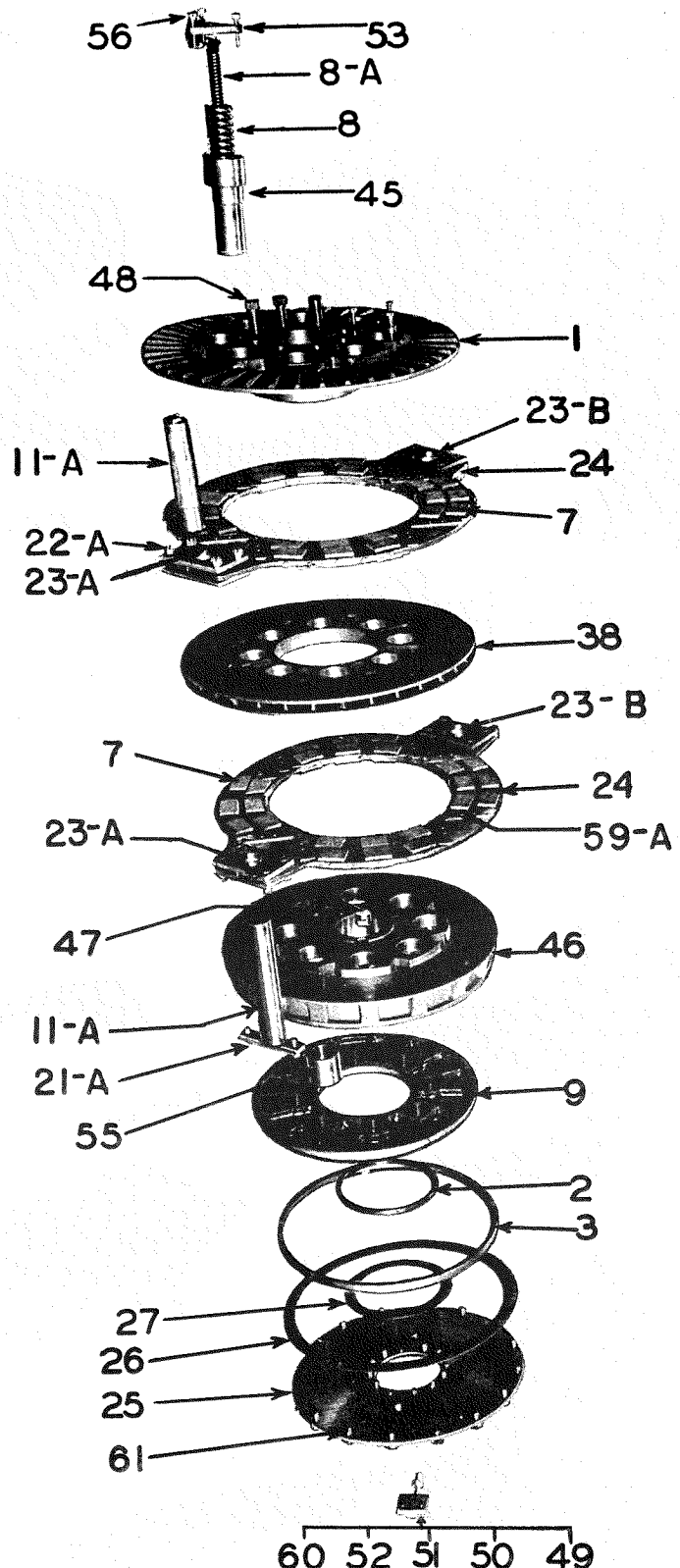


FIGURE 4.

Exploded view of clutch illustrating all parts in operating position.