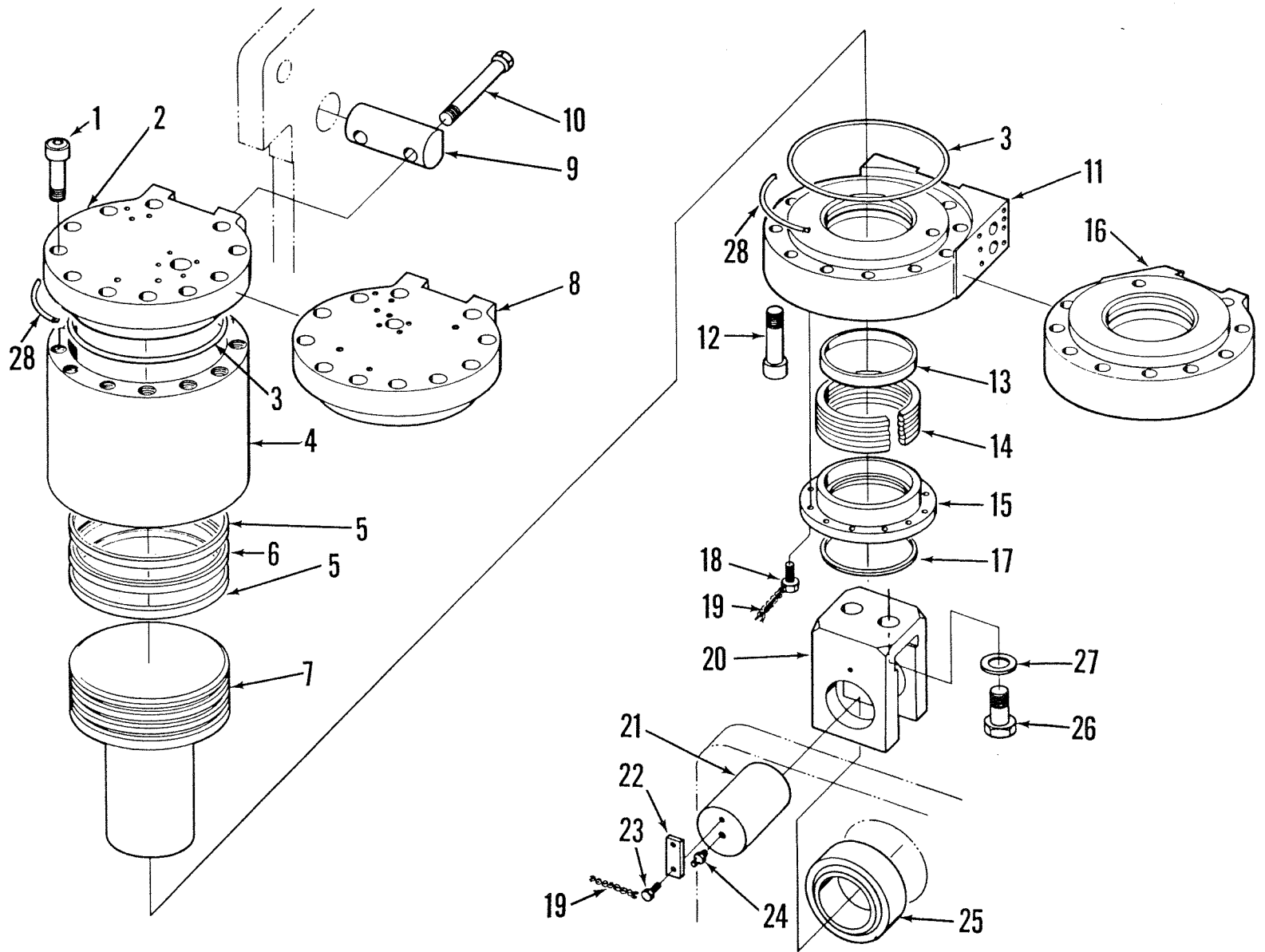


## SEC. 4: PARTS LIST

SINCE THE REFERENCE OR CALL OUT NUMBERS ON THE FOLLOWING PARTS LIST ARE DUPLICATED ON OTHER PARTS LISTS, SPECIFY PART REQUIRED BY GIVING REFERENCE NUMBER AND FULL NAME FOLLOWED BY FORM AND PAGE NUMBER.

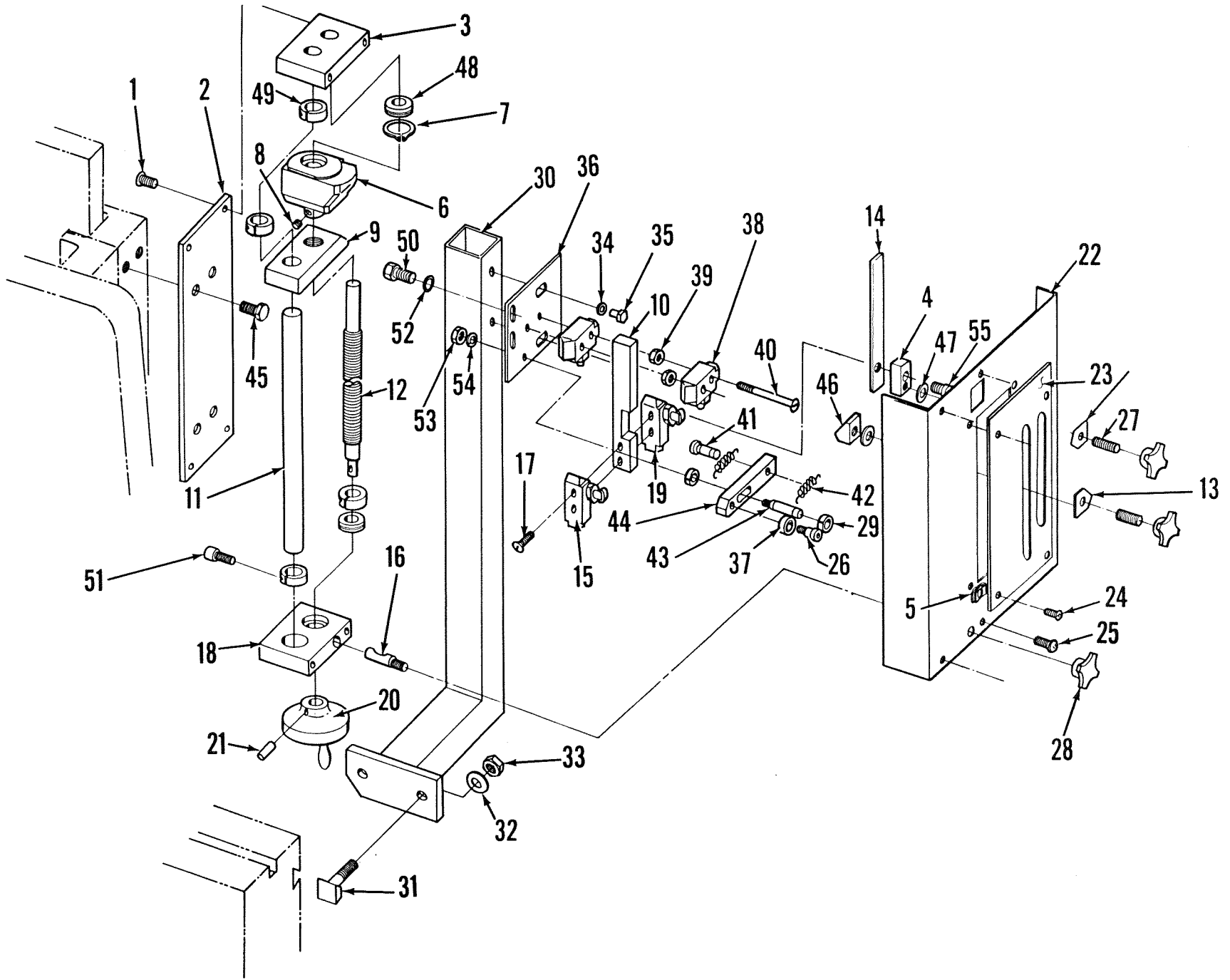
### FRAME ASSEMBLY

- |  |  |
|--|--|
| 1. Cylinder<br>(See separate parts list) | 28. Bolt   |
| 2. Bolt                                  | 30. R.H. Housing Foot                                    |
| 3. Washer                                | 31. R.H. Housing   |
| 4. L.H. Housing                          | 32. R.H. Gib Spacer                                      |
| 5. Bolt                                  | 33. R.H. Ram Gib   |
| 6. Nut                                   | 34. Master Control Station                               |
| 7. L.H. Ram Gib                          | 35. Bolts  |
| 8. Gib Liner                             | 36. Washer   |
| 9. Cap Screw                             | 37. Limit Switches                                       |
| 10. Cap Screw                            | 38. Mounting Bracket                                     |
| 11. L.H. Gib                             | 39. Cap Screw  |
| 12. Cap Screw                            | 40. Cap Screw  |
| 13. Gib                                  | 41. Cleanout Cover                                       |
| 14. Bracket                              | 44. Washer   |
| 15. Bolt                                 | 45. Bolt   |
| 16. L.H. Housing Foot                    | 46. Ram Guide Bracket                                    |
| 17. Cap Screw                            | 47. Reservoir  |
| 18. Safety Rail                          | 48. Seal   |
| 19. Bed                                  | 49. Reservoir Cover                                      |
| 20. Ram                                  | 50. Bolt   |
| 21. Operator's Station                   | 51. Stroke Control Assembly<br>(See separate parts list) |
| 22. Bolt                                 | 52. Manifold Assembly                                    |
| 23. Screw                                | 53. Motor  |
| 24. Ram Direction Control                | 54. Bolt   |
| 25. Clamp Bar                            | 55. Nut  |
| 26. Bolt                                 | 56. Washer   |
| 27. Washer                               | 58. Bolt   |

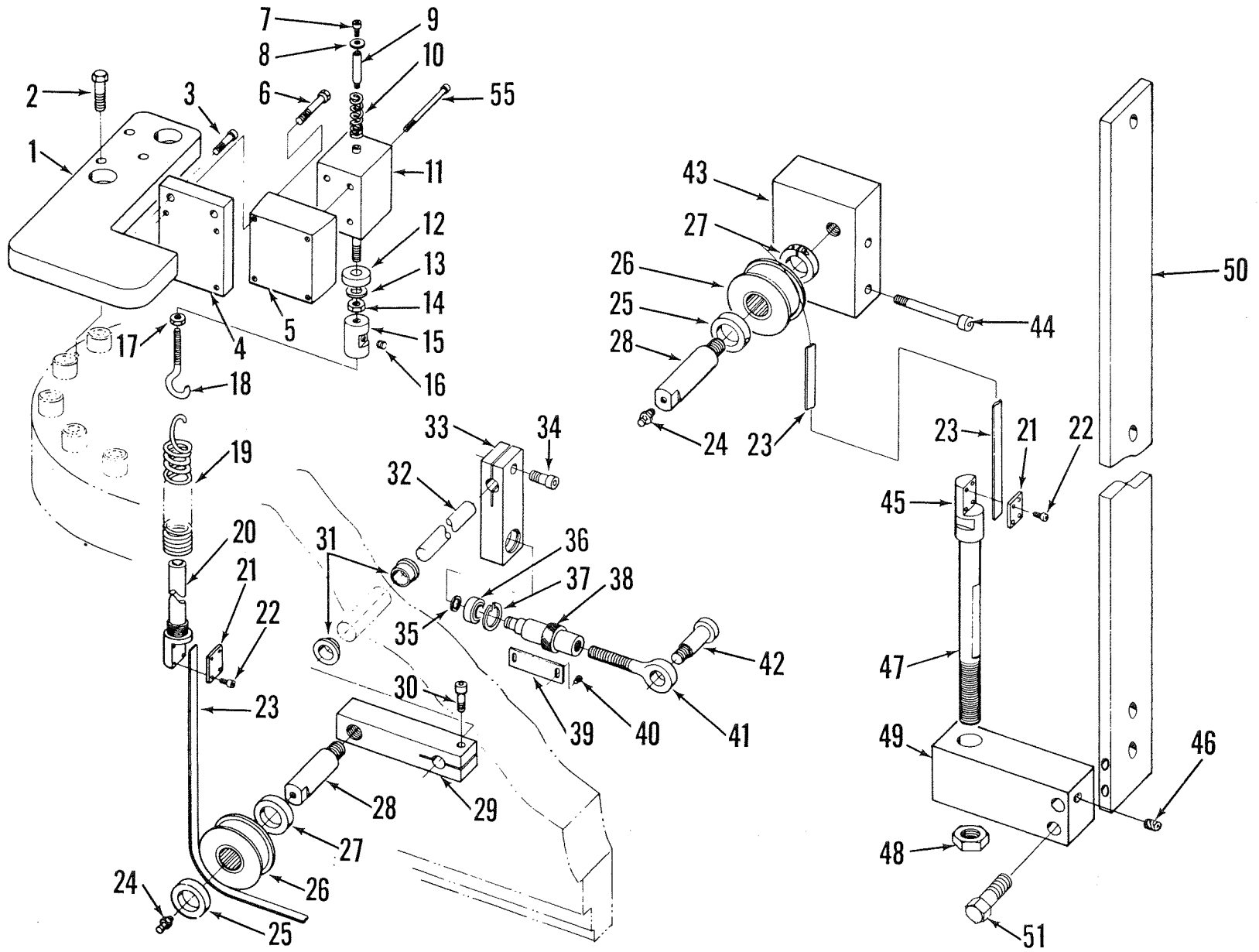


1. Cap Screw
2. Upper Cap (L.H.)
3. "O" Rings\*
4. Cylinder\*
5. Seal\*
6. Piston Seal\*
7. Piston\*
8. Upper Cap (R.H.)
9. Cylinder Mounting Pin
10. Hex Hd. Bolt
11. Lower Cap (L.H.)
12. Cap Screw
13. Wear Ring
14. "V" Packing
15. Packing Gland
16. Lower Cap (R.H.)
17. Wiper Ring
18. Hex Hd. Cap Screw
19. Safety Wire
20. Ram Clevis
21. Ram Clevis Pin
22. Pin Lock
23. Bolt
24. Grease Fitting
25. Bearing
26. Ram Clevis Cap Screws
27. Washer
28. Backup Ring

\*Specify R.H. or L.H.

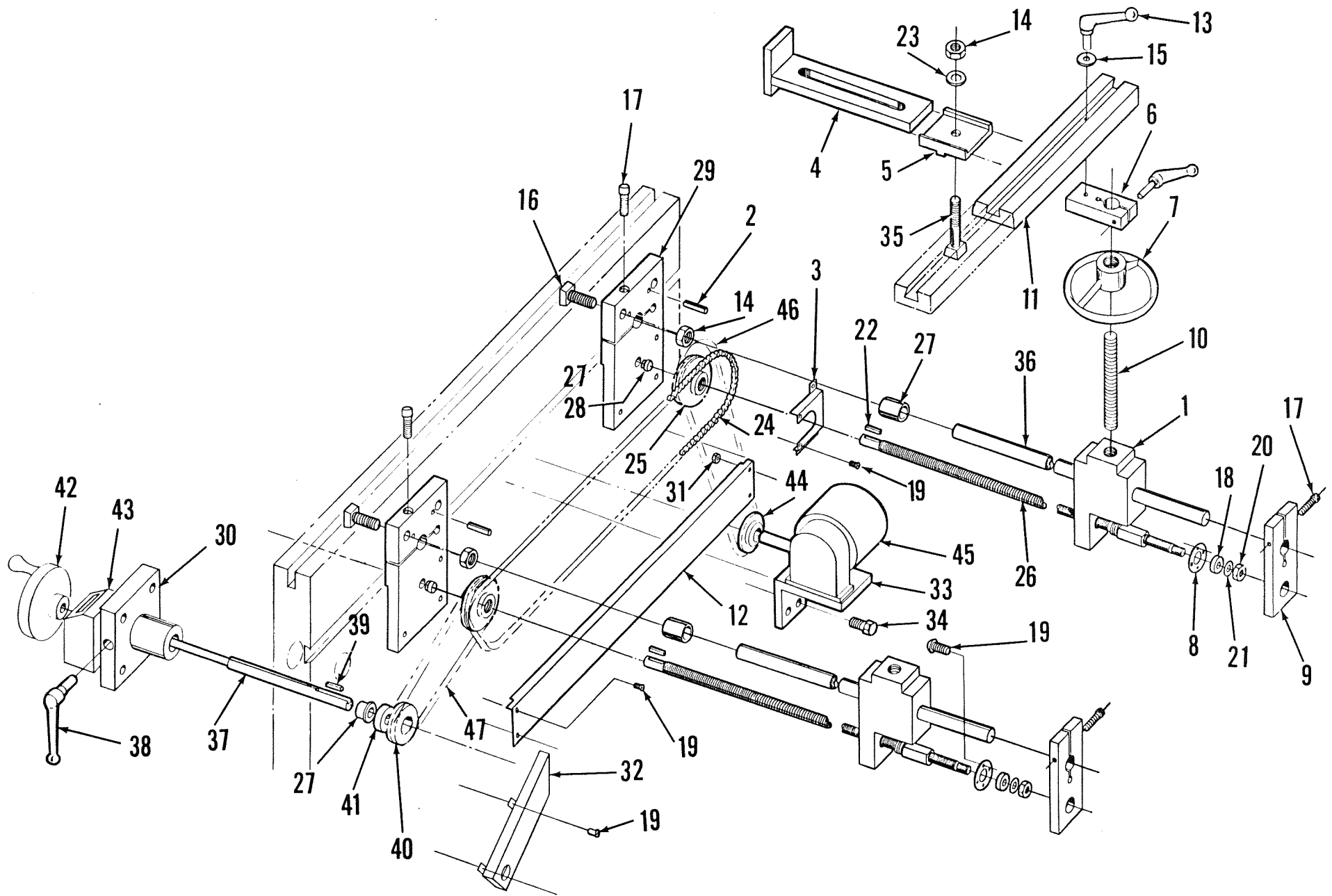


1. Flat Head Screw
2. Mounting Plate
3. Shaft Mounting Block (Upper)
4. Speed Change Block
5. Cage Nut
6. Digital Indicator
7. Retaining Ring
8. Set Screw
9. Bottom Stop
10. Limit Switch Mounting Bar
11. Guide Rod
12. Bottom Stop Adjusting Screw
13. Speed Change Pointer
14. Speed Change Cam
15. Limit Switch
16. Clamping Bolt
17. Screws
18. Shaft Mounting Block (Lower)
19. Limit Switch
20. Crank
21. Roll Pin
22. Guard
23. Cover Plate
24. Screw
25. Screw
26. Shoulder Screw
27. Set Screw
28. Clamp Knob
29. Collar
30. Limit Switch Mounting Support
31. V Head Bolt
32. Washer
33. Hex Nut
34. Washer
35. Bolt
36. Limit Switch Mounting Plate
37. Bearing
38. Limit Switch
39. Hex Nut
40. Screw
41. Switch Actuating Pin
42. Spring
43. Pivot Pin
44. Breakaway Lever
45. Hex Bolt
46. Top Stop
47. Spring Washer
48. Bearing
49. Collar
50. Hex Bolt
51. Cap Screw
52. Washer
53. Hex Nut
54. Washer
55. Cap Screw



1. Servo Mtg. Extension
2. Bolt
3. Cap Screw
4. Servo Mtg. Plate
5. Sub Plate
6. Bolt
7. Cap Screw
8. Washer
9. Guide Rod
10. Spring
11. Servo Valve
12. Cushion
13. Washer
14. Jam Nut
15. Servo Connector
16. Set Screw
17. Jam Nut
18. Eye Bolt
19. Breakaway Spring
20. Spring Rod
21. Tape Clamp
22. Cap Screw
23. Tape
24. Grease Fitting
25. Collars
26. Pulley
27. Split Collar
28. Shaft
29. Rear Link
30. Cap Screw
31. Bushing
32. Link Shaft
33. Front Link
34. Cap Screw
35. Retaining Ring
36. Spherical Brg.
37. Retaining Ring
38. Adjusting Screw
39. Scale
40. Screw
41. Rod End
42. Shoulder Screw
43. Idler Bracket
44. Cap Screw
45. Tape Holder
46. Set Screw
47. Adjust Screw
48. Adjust Nut
49. Adjust Block
50. Bracket Support
51. Bolts
52. Bracket
53. Nut
54. Bolt
55. Cap Screw





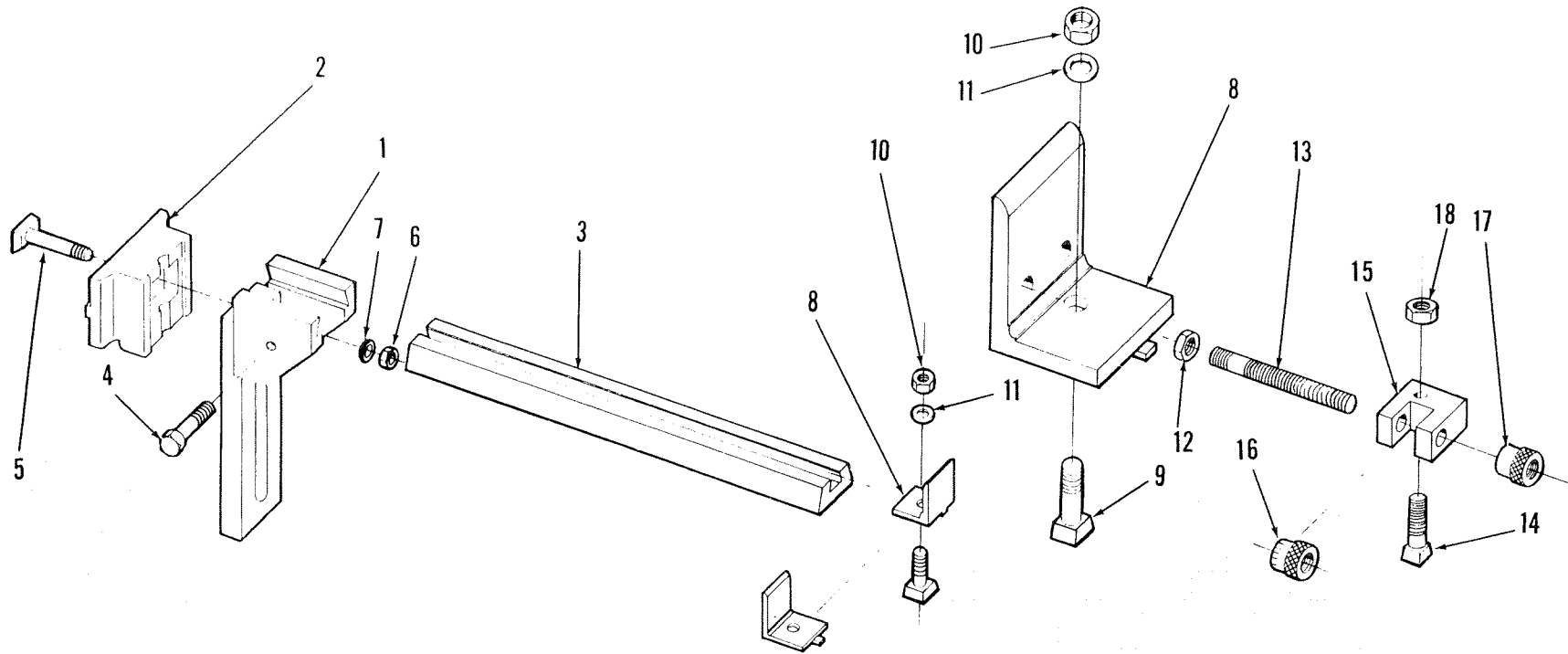
- |                              |                              |
|------------------------------|------------------------------|
| 1. Carriage                  | 24. Chain                    |
| 2. Support Plate             | 25. Sprocket                 |
| 3. L.H. Chain Guard          | 26. Ballscrew & Nut Assembly |
| 4. Finger                    | 27. Olite Brg.               |
| 5. Finger Support            | 28. Snap Ring                |
| 6. Finger Rest Support Plate | 29. Roll Pins                |
| 7. Hand Wheel                | 30. Indicator Cartridge      |
| 8. Brg. Retainer             | 31. Weld Nut                 |
| 9. Rear Stop Plate           | 32. Drive Chain Guard        |
| 10. Elevating Screw          | 33. Motor Support            |
| 11. Backgage Finger Rest     | 34. Hex Hd. Bolt             |
| 12. Center Chain Guard       | 35. Special Dovetail Bolt    |
| 13. Stud Type Handle         | 36. Guide Bar                |
| 14. Hex Nut                  | 37. Adjusting Shaft          |
| 15. Washer                   | 38. Clamp Bolt & Handle      |
| 16. "V" Bolt                 | 39. Key                      |
| 17. Socket Hd. Screw         | 40. Sprocket                 |
| 18. Bearing                  | 41. Collar                   |
| 19. Butt Hd. Capscrew        | 42. Handle Wheel             |
| 20. Locknut                  | 43. Counter                  |
| 21. Lockwasher               | 44. Sprocket                 |
| 22. Key                      | 45. Gear Motor               |
| 23. Washer                   | 46. Chain                    |
|                              | 47. Chain                    |

**MANUALLY OPERATED ONLY**

- 38. Clamp Bolt & Handle
- 42. Handle Wheel

**POWER OPERATED ONLY**

- 33. Motor Support
- 34. Hex Hd. Bolt
- 44. Sprocket
- 45. Gear Motor
- 46. Chain



- |                     |                  |
|---------------------|------------------|
| 1. Back Gage Post   | 7. Washer        |
| 2. Base — Back Gage | 8. Gage Stop     |
| 3. Back Gage Slide  | 9. "V" Head Bolt |
| 4. Hex Hd. Bolt     | 10. Hex Nut      |
| 5. Tee Bolt         | 11. Washer       |
| 6. Hex Nut          |                  |

#### MICROMETER ADJUSTMENT

- |                        |                    |
|------------------------|--------------------|
| 12. Hex Nut            | 16. Micrometer Nut |
| 13. Stud               | 17. Locking Nut    |
| 14. "V" Bolt           | 18. Hex Nut        |
| 15. Micrometer Support |                    |

HEAVY DUTY, UNIVERSAL GAGE BRACKET, & GAGING STOP