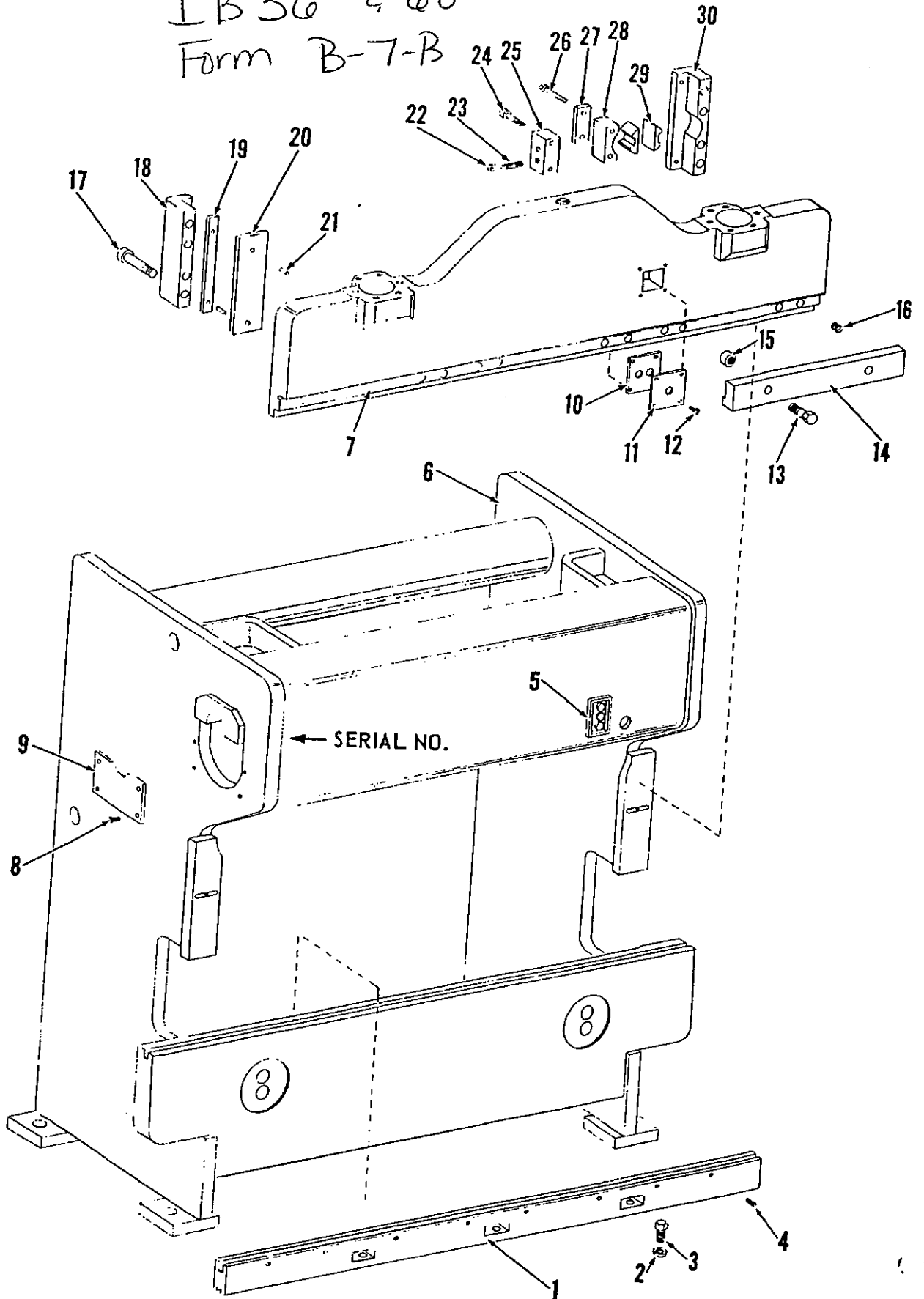


IB 36 & 60
Form B-7-B



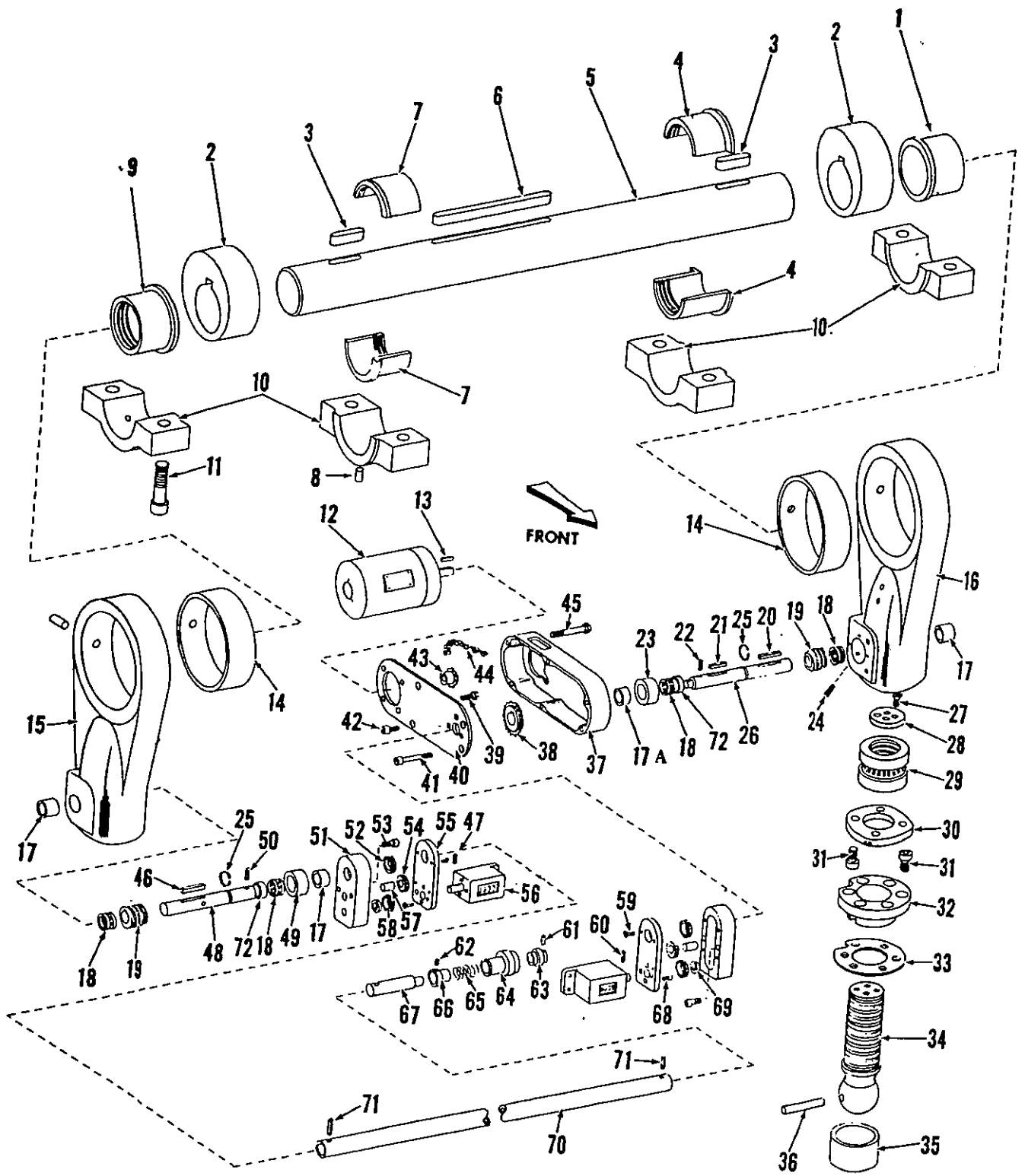
PARTS LIST

SINCE THE REFERENCE OR CALL OUT NUMBERS ON THE FOLLOWING PARTS LIST ARE DUPLICATED ON OTHER PARTS LISTS, SPECIFY PART REQUIRED BY GIVING REFERENCE NUMBER AND FULL NAME FOLLOWED BY FORM AND PAGE NUMBER.

FRAME AND RAM

1. Die Rail
2. Washer
3. Die Rail Screw
4. Die Adjustment Set Screw
5. Main Motor Control
6. Frame
7. Ram
8. Socket Head Screw
9. Bearing End Cover
10. Adjustment Switch Rear Cover
11. Adjustment Switch Front Cover
12. Socket Head Cap Screws
13. Punch Clamping Bar Screws
14. Punch Clamping Bar
15. Clamping Bar Locknut
16. Spring
17. Gib Screws
18. Left Gib
19. Rear Non-Metallic Liner
20. Front Non-Metallic Liner
21. Dowel
22. Lock Nut
23. Adjusting Screw
24. Cap Screw
25. Pivot Adjusting Block
26. Cap Screw
27. Pivot Block Cover
28. Pivot Block
29. Pivot Shoes
30. Right Gib
- * 31. Ram Adjustment Switch

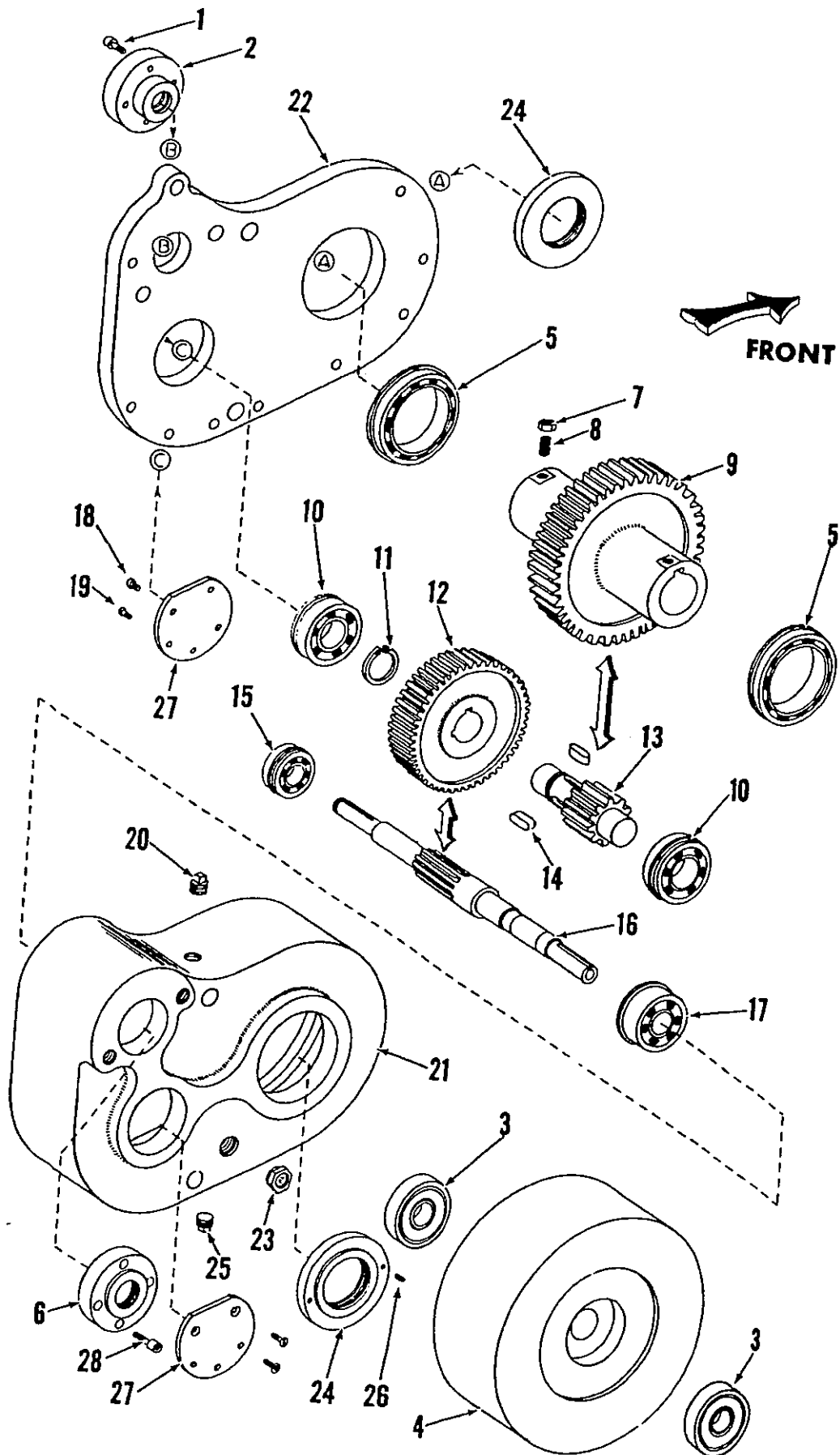
* Not Shown



ECCENTRIC SHAFT AND RAM ADJUSTING MECHANISM

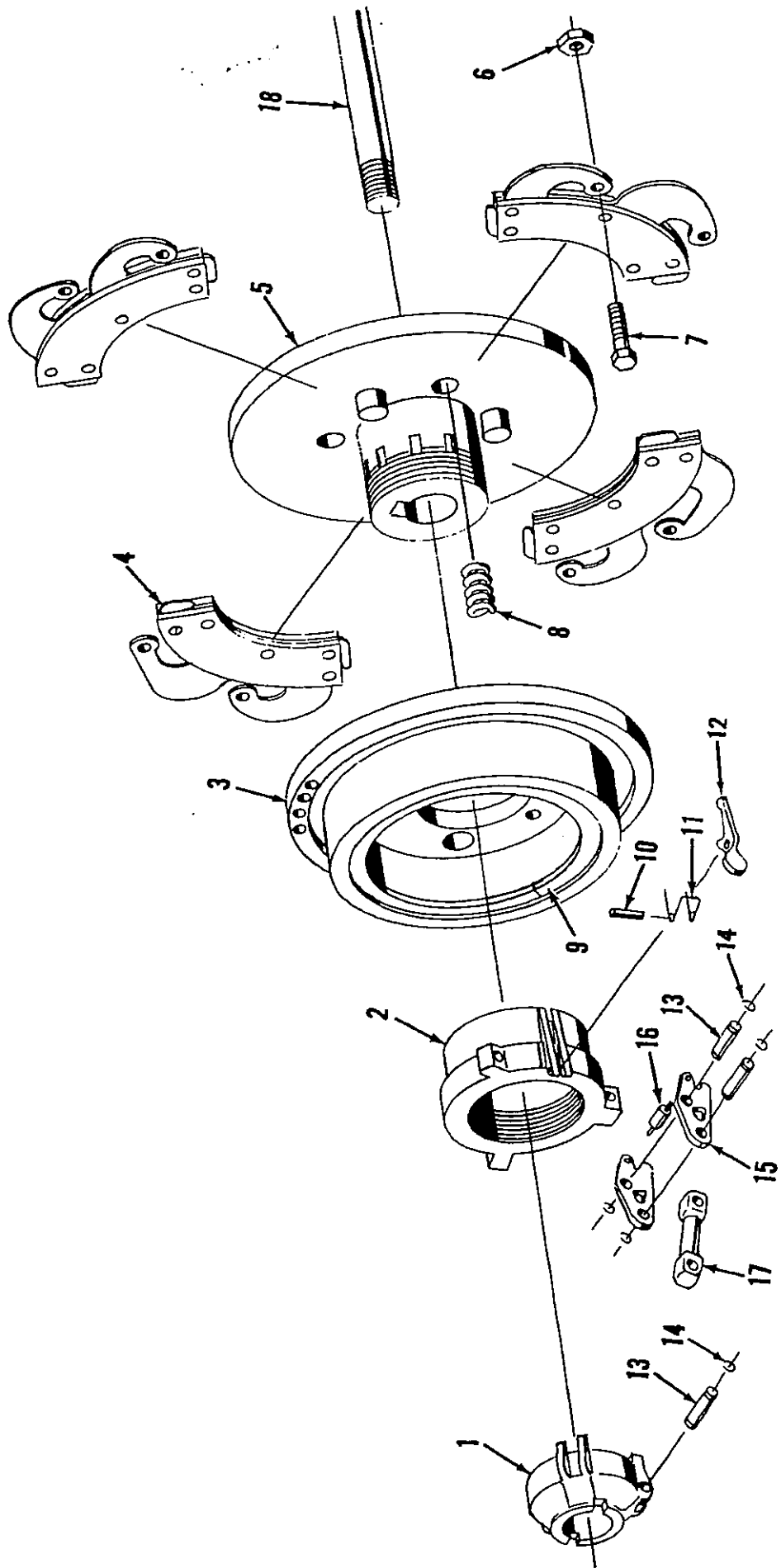
- | | |
|--|---|
| <ol style="list-style-type: none"> 1. Bronze Bushing 2. Eccentric Cams 3. Eccentric Cam Keys 4. Split Flanged Bronze Bushing 5. Eccentric Shaft 6. Gear Reducer Key 7. Split Bronze Bushing 8. Dowel 9. Flanged Bronze Bushing 10. Bearing Caps 11. Socket Head Cap Screws 12. Ram Adjusting Motor 13. Motor Shaft Key 14. Connection Bushing 15. Left Connection 16. Right Connection 17. Bronze Bushing 17A Bronze Bushing 18. Thrust Bearings 19. Worm 20. Worm Key 21. Sprocket Key 22. Roll Pin 23. Bearing Retainer 24. Retainer Set Screw 25. Snap Ring 26. Right Adjusting Shaft 27. Stop Plate Screws 28. Stop Plate 29. Adjusting Nut 30. Connection Cover 31. Socket Head Capscrews 32. Ball Cover Right Hand 32A. Left Hand Ball Cover 33. Shims 34. Ball Screw 35. Ball Seat 36. Ball Pin | <ol style="list-style-type: none"> 37. Sprocket Box 38. Large Sprocket 39. Motor Screw 40. Box Cover 41. Sprocket Box Mounting Screws 42. Cover Screws 43. Small Sprocket 44. Chain 45. Motor Screw 46. Worm Key 47. Roll Pin 48. Left Adjusting Shaft 49. Bearing Retainer 50. Roll Pin 51. Gear Box 52. Shaft Gear 53. Gear Box Mounting Screw 54. Idler Gear 55. Gear Box Cover 56. Counter 57. Idler Shaft 58. Counter Gear 59. Cover Screw 60. Roll Pin 61. Roll Pin 62. Set Screw 63. Coupling Gear 64. Adjusting Sleeve 65. Spring 66. Sleeve Stop 67. Inner Worm Shaft 68. Counter Screws 69. Counter Gear Bushing 70. Adjusting Shaft Connection Tube 71. Roll Pins 72. Spacer |
|--|---|

For Multi-Bender - See pages 26 & 27.



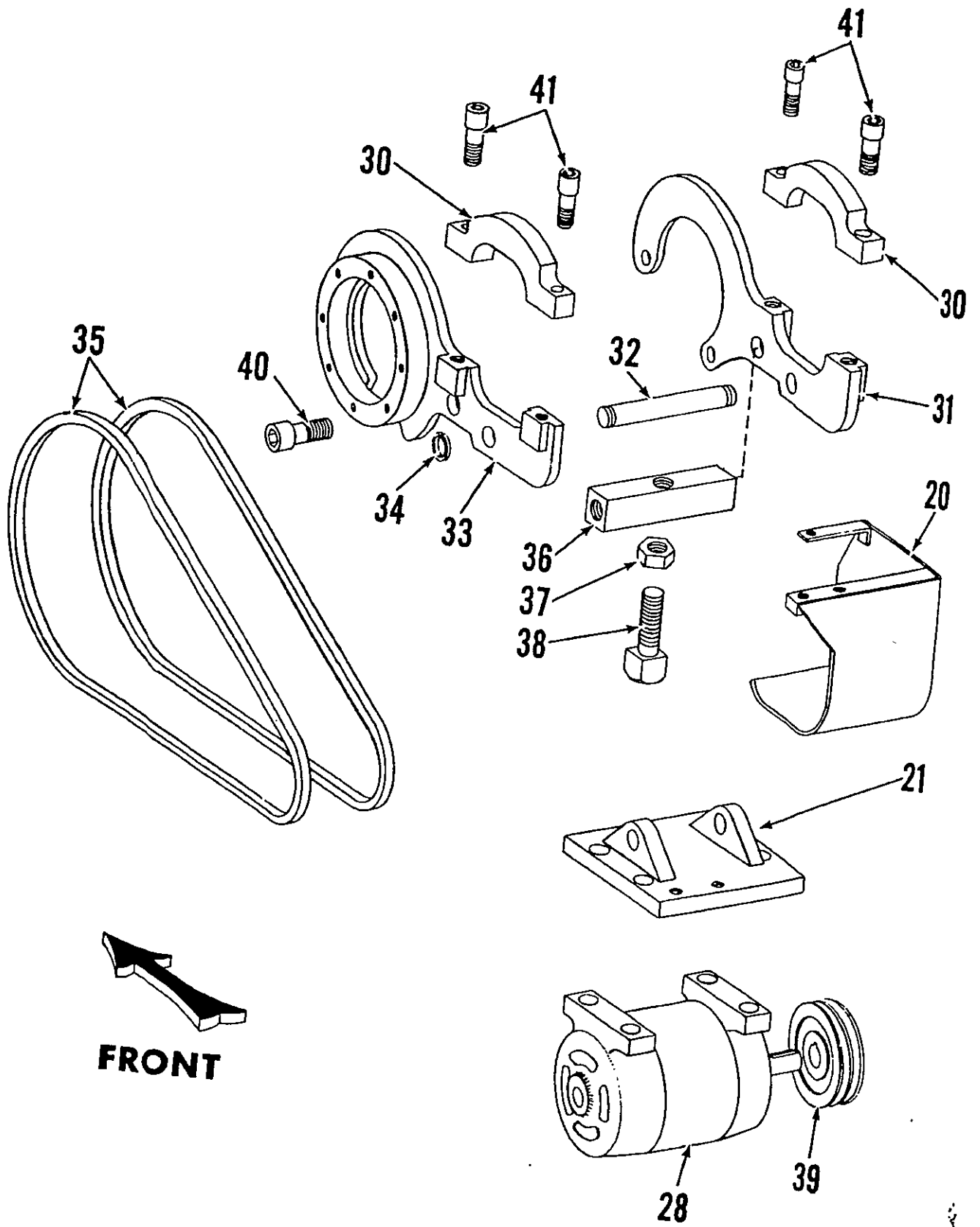
GEAR BOX

1. Socket Head Screw
2. Right Hand Bearing Cap
3. Flywheel Bearings
4. Flywheel
5. Main Gear Bearings
6. Left Hand Bearing Cap
7. Locknut
8. Set Screw
9. Main Gear and Output Hub
10. Intermediate Shaft Bearings
11. Snap Ring
12. Intermediate Gear
13. Intermediate Pinion and Shaft
14. Keys
15. Right Hand Drive Shaft Bearing
16. Driveshaft
17. Left Hand Drive Shaft Bearing
18. Countersunk Screws
19. Sockethead Screws
20. Oil Fill Plug
21. Gear Box Housing
22. Gear Box Cover
23. Oil Level Window
24. Main Bearing Cap
25. Oil Drain Plug
26. Removable Set Screw to pull # 24
27. Bearing Cover
28. Socket Head Screw



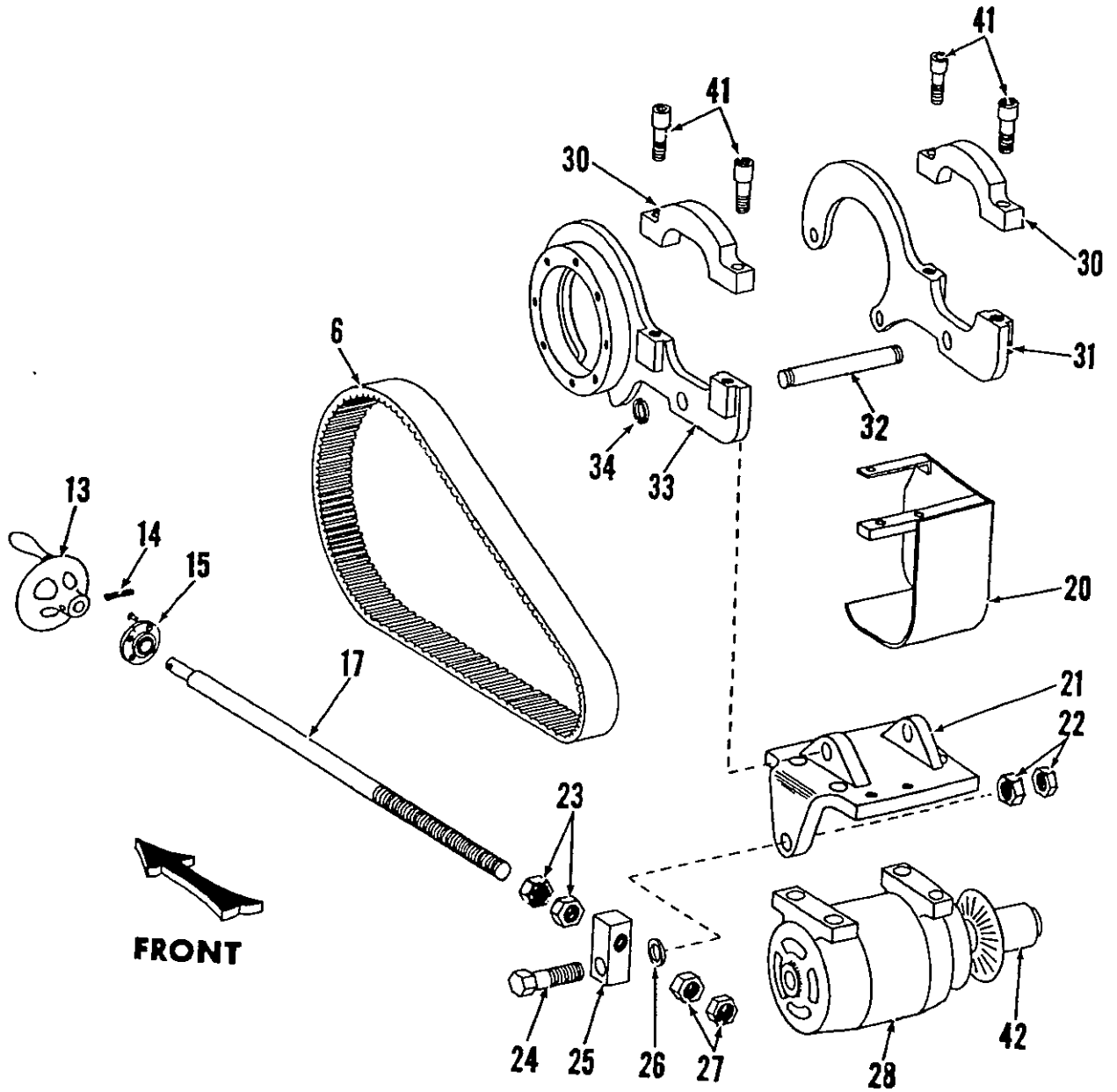
MECHANICAL FRICTION CLUTCH

1. Shafter Collar
2. Adjusting Ring
3. Hub
4. Drive Disc Assembly
5. Driving Plate
6. Adjusting Nut
7. Hex Head Capscrew
8. Spring
9. Push Ring
10. Roll Pin
11. Spring
12. Release Latch
13. Pin (9 Req.)
14. Snap Ring (18 Req.)
15. Toggle (6 Req.)
16. Pin (3 Req.)
17. Toggle Lever (3 Req.)
18. Drawrod (See Page 24)



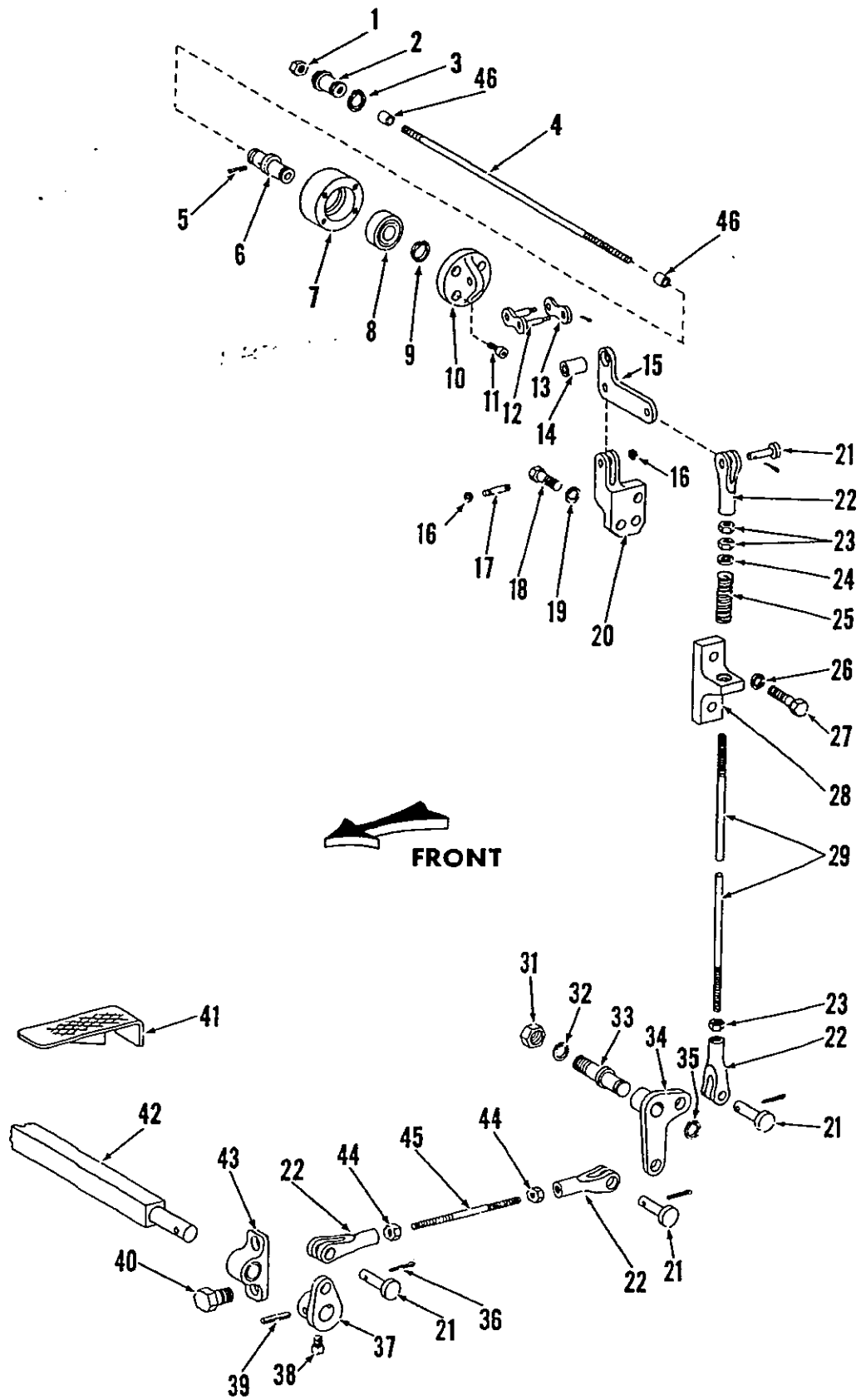
**DRIVE MECHANISM, MECHANICAL FRICTION CLUTCH,
SINGLE SPEED**

- 20. Belt Guard
- 21. Motor Plate
- 28. Motor
- 30. Support Plate Cap
- 31. Left Hand Support Plate
- 32. Pivot Pin
- 33. Right Hand Support Plate
- 34. Snap Ring
- 35. Belts
- 36. Adjusting Block
- 37. Locknut
- 38. Adjusting Screw
- 39. Sheave
- 40. Adjusting Block Screws
- 41. Socket Head Screw



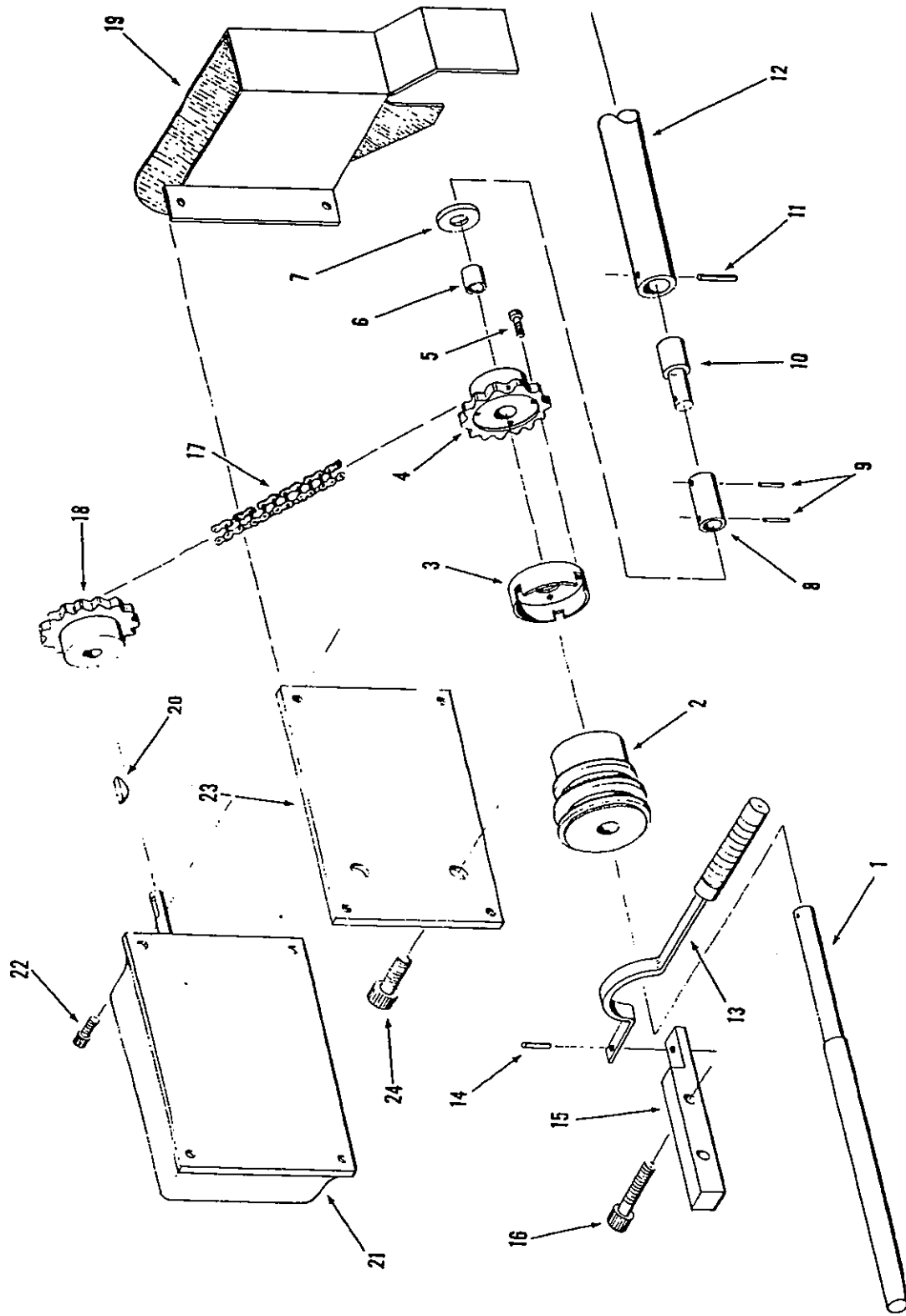
**DRIVE MECHANISM, MECHANICAL FRICTION CLUTCH,
ADJUSTABLE SPEED**

- 6. Belt
- 13. Handwheel
- 14. Roll Pin
- 15. Adjusting Shaft Bearing
- 17. Adjusting Shaft
- 20. Belt Guard
- 21. Motor Plate
- 22. Locknuts
- 23. & 27. Adjusting Screw Locknuts
- 24. Motor Plate Pivot Screw
- 25. Motor Plate Pivot
- 26. Washer
- 28. Motor and Adjustable Sheave
- 30. Support Plate Cap
- 31. Left Hand Support Plate
- 32. Pivot Pin
- 33. Right Hand Support Plate
- 34. Snap Ring
- 41. Socket Head Screws
- 42. Pulley



MECHANICAL TREADLE MECHANISM

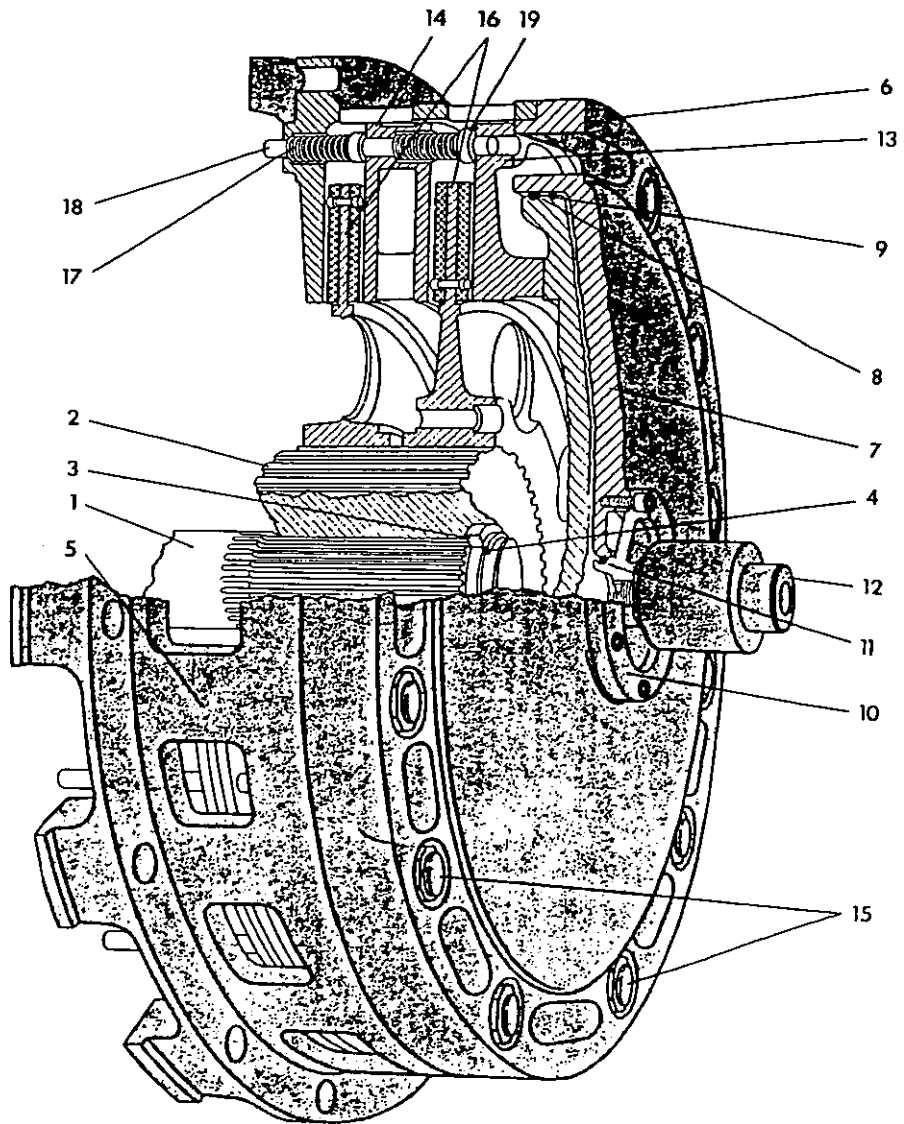
1. Retainer Locknut
2. Drawrod Adjustable Retainer
3. Snap Ring
4. Drawrod
5. Roll Pin
6. Drawrod Retainer
7. Bearing Retainer
8. Sealed Bearing
9. Snap Ring
10. Bearing Retainer Cap
11. Socket Head Screws
12. Chain Link
13. Link Cap
14. Bushing
15. Upper Rocker Arm
16. Snap Ring
17. Pivot Pin
18. Cap Screw
19. Lockwasher
20. Rocker Arm Pivot Bracket
21. Pivot Pin
22. Yoke
23. Yoke Locknut
24. Washer
25. Return Spring
26. Lockwasher
27. Cap Screw
28. Spring Bracket
29. Vertical Treadle Rod
31. Locknut
32. Lockwasher
33. Rocker Arm Pin
34. Lower Rocker Arm
35. Snap Ring
36. Cotter Pin
37. Bell Crank
38. Setscrew
39. Roll Pin
40. Cap Screw
41. Foot Pedal
42. Foot Treadle Shaft
43. Pillow Block
44. Yoke Locknut
45. Lower Treadle Rod
46. Bronze Bushing



**MULTI-BENDER
(OPTIONAL)**

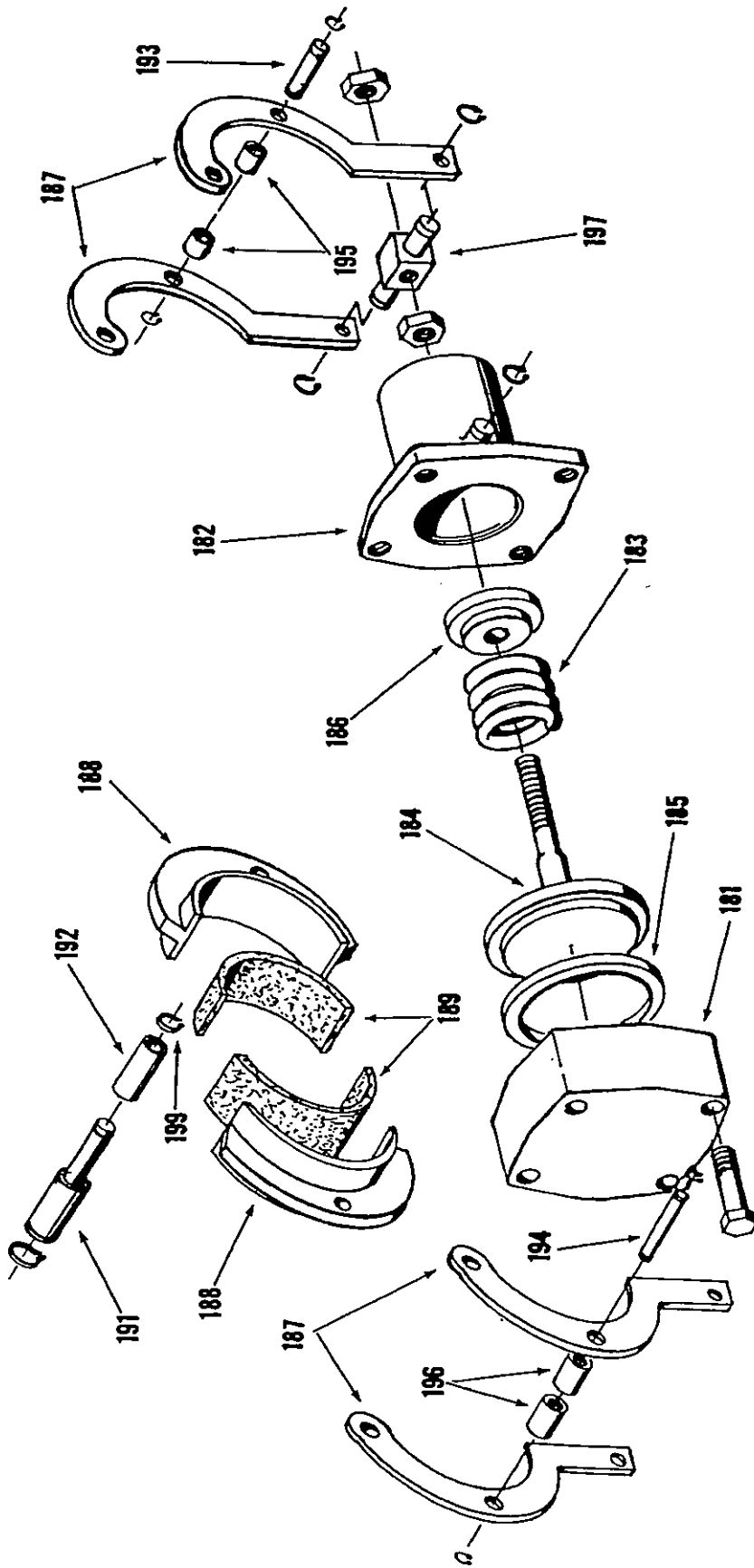
1. L.H. Adjusting Shaft
2. Clutch
3. Sprocket Driving Cup
4. Driven Sprocket
5. Screw
6. Bushing
7. Washer
8. Coupling
9. Roll Pins
10. Shaft Coupling Pin
11. Roll Pin
12. Adjusting Shaft Connection Tube
13. Disengaging Handle
14. Roll Pin
15. Handle Support
16. Screw
17. Link Chain
18. Driving Sprocket
19. Multi-Bender Guard (Certain Models Only)
20. Key
21. Rotary Limit Switch
22. Screw
23. Limit Switch Bracket
24. Screw

Arrangement Of Parts Is Reversed on Some Models.



AIR FRICTION CLUTCH-TYPE LI-P

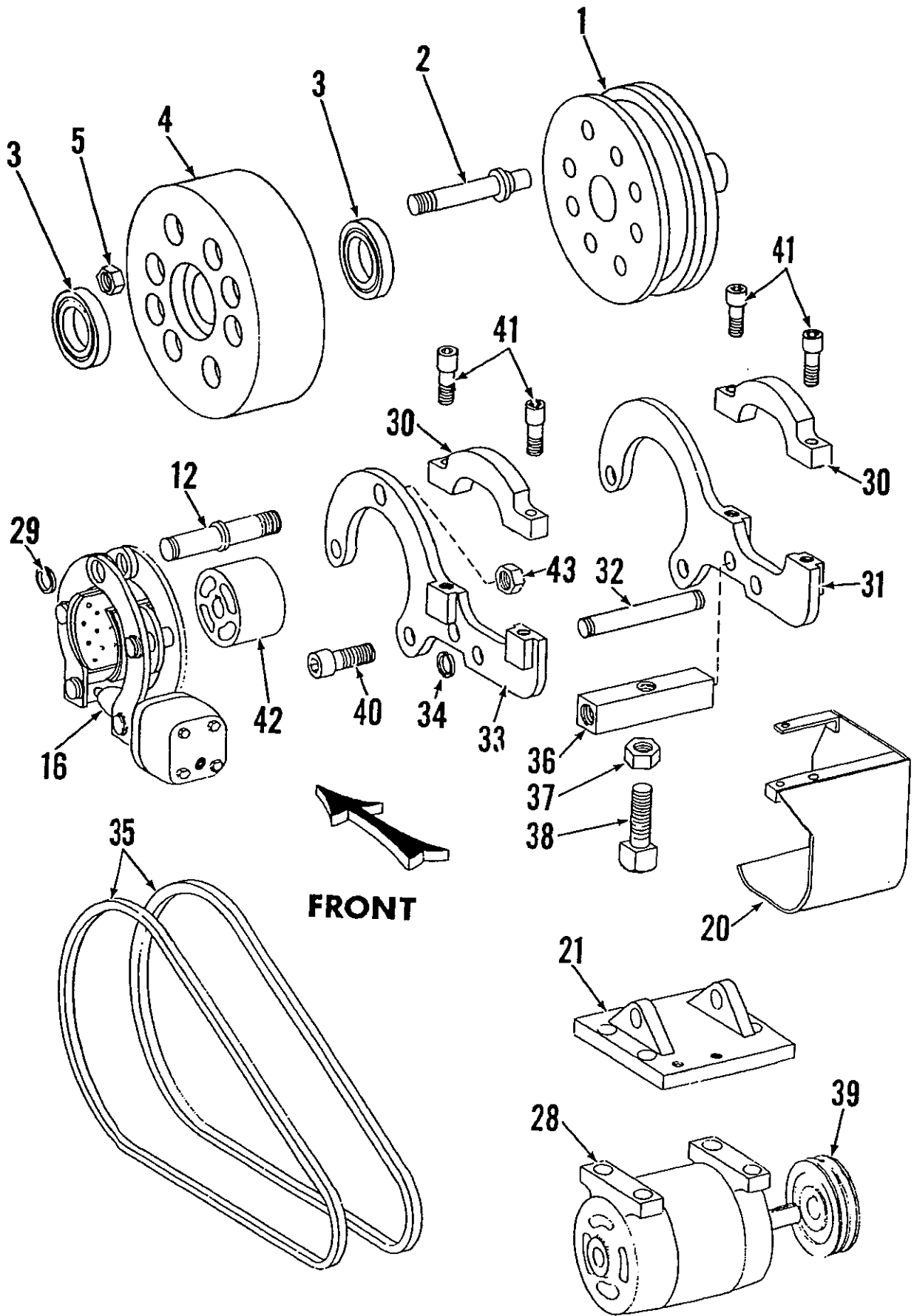
1. Drive Shaft
2. Driving Hub
3. Driving Hub Retaining Ring
4. Clutch Snap Ring
5. Clutch Housing
6. Clutch Cylinder
7. Clutch Piston
8. Piston Wiper
9. Piston 'O' Ring
10. Rotary Air Seal Adapter
11. Adapter 'O' Ring
12. Rotary Air Seal
13. Pressure Plate
14. Inner Pressure Plate
15. Pressure Plate Guides and Nut
16. Friction Disc
17. Spreader Spring
18. Spring Guide
19. Guide Collar



AIR RELEASING BRAKE

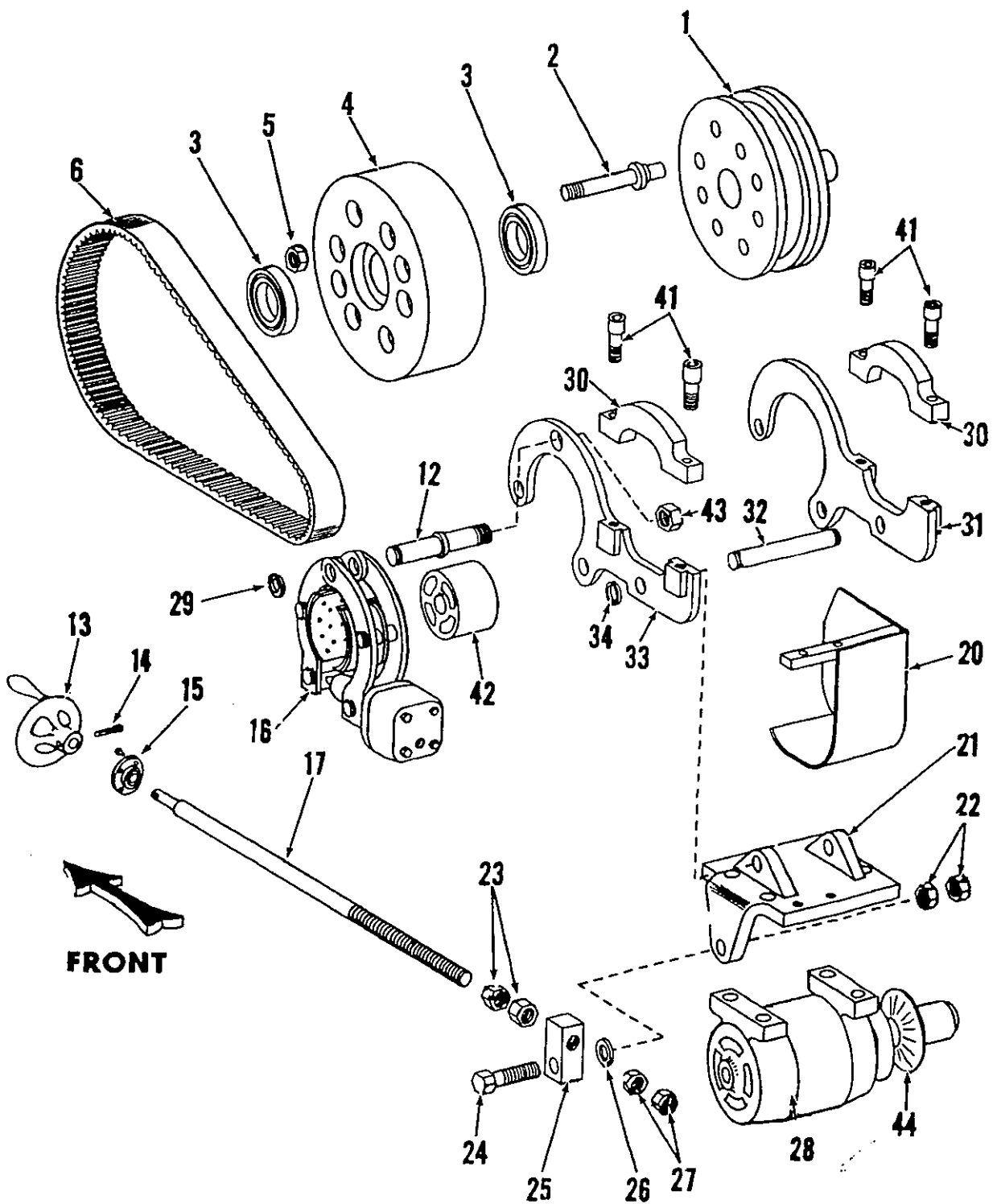
- 179. Brake Collar Snap Ring
- *180. Brake Collar
- 181. Brake Air Cylinder Head
- 182. Brake Spring Pot
- 183. Brake Spring
- 184. Brake Piston
- 185. Piston 'U' Ring Packing
- 186. Non-Metallic Bushing
- 187. Brake Lever Arms
- 188. Brake Shoe
- 189. Brake Shoe Lining
- *190. Tubular Rivet For Brake
- 191. Brake Pivot
- 192. Pivot Spacer
- 193. Short Brake Shoe Pin
- 194. Long Brake Shoe Pin
- 195. Short Brake Shoe Spacer
- 196. Long Brake Shoe Spacer
- 197. Trunion
- 198. Cylinder Drain Petcock
- 199. Brake Pivot Pin Snap Rings

*Not Shown



**DRIVE MECHANISM, AIR FRICTION CLUTCH,
SINGLE SPEED**

1. Clutch, See Separate Parts List
2. Clutch Push Pin
3. Flywheel Bearings
4. Flywheel
5. Clutch Push Pin Nut
12. Brake Support Shaft
16. Brake, See Separate Parts List
20. Belt Guard
21. Motor Plate
28. Main Motor
29. Snap Ring
30. Support Plate Cap
31. Left Hand Support Plate
32. Pivot Pin
33. Right Hand Support Plate
34. Snap Ring
35. Belts
36. Adjusting Block
37. Locknut
38. Adjusting Screw
39. Sheave
40. Adjusting Block Screw
41. Socket Head Screws
42. Brake Collar
43. Brake Support Shaft Nut



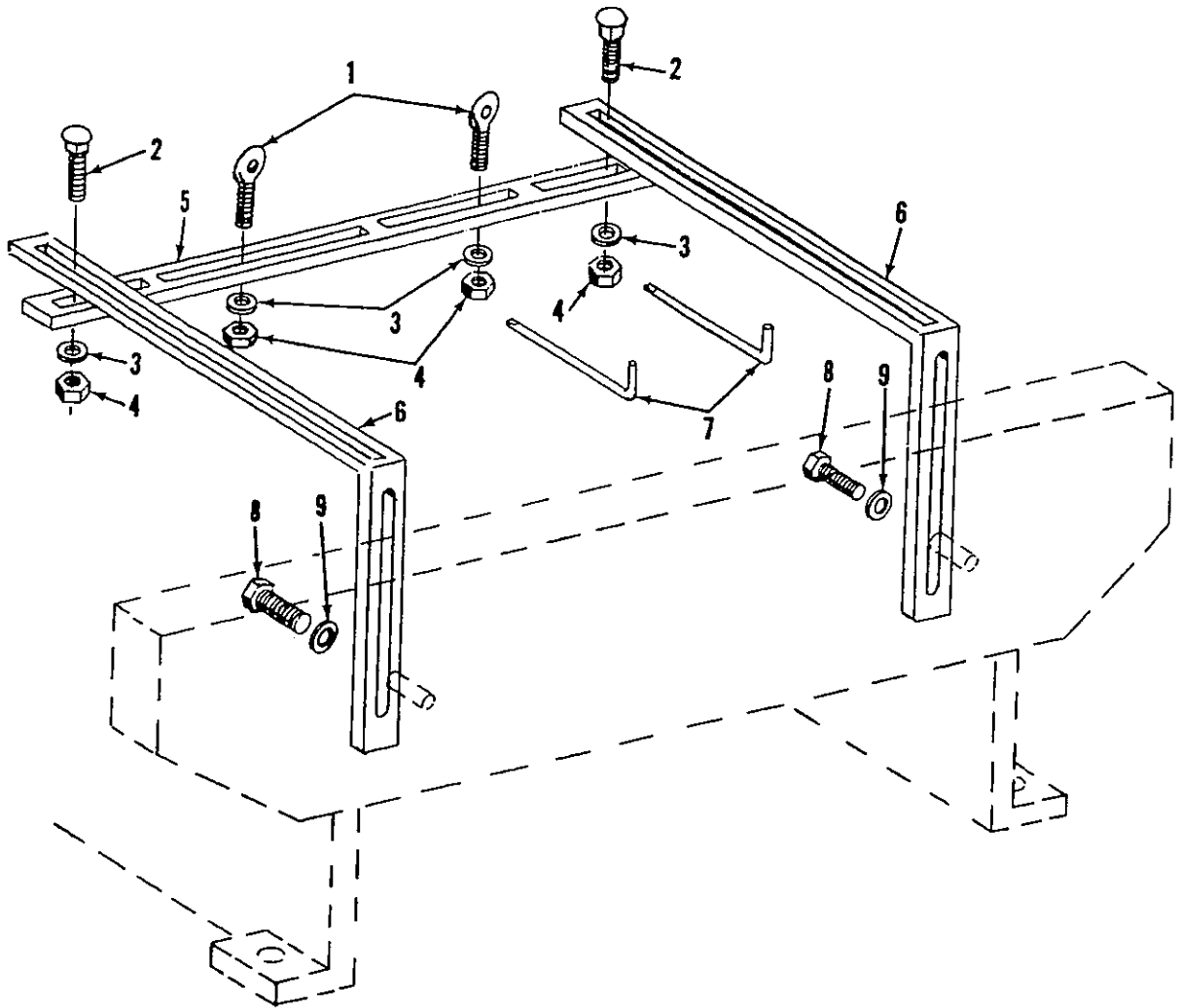
**DRIVE MECHANISM, AIR FRICTION CLUTCH,
ADJUSTABLE SPEED**

1. Clutch, See Separate Parts List
2. Clutch Push Pin
3. Flywheel Bearings
4. Flywheel
5. Clutch Push Pin Nut
6. Belt
12. Brake Support Shaft
13. Handwheel
14. Roll Pin
15. Adjusting Shaft Bearing
16. Brake, See Separate Parts List
17. Adjusting Shaft
20. Belt Guard
21. Motor Plate
22. Locknuts
23. & 27. Adjusting Screw Lock Nuts
24. Motor Plate Pivot Screw
25. Motor Plate Pivot
26. Washer
28. Main Motor and Adjustable Sheave
29. Snap Ring
30. Support Plate Cap
31. Left Hand Support Plate
32. Pivot Pin
33. Right Hand Support Plate
34. Snap Ring
41. Socket Head Screws
42. Belt Collar
43. Brake Support Shaft Nut
44. Pulley

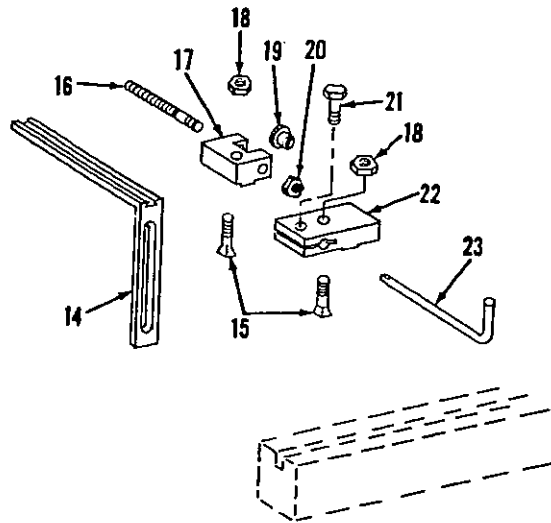
AIR OPERATED TREADLE MECHANISM
(PNEUMA TOUCH CONTROL)

1. Treadle
2. Treadle Shaft
3. Pillow Block
4. Pillow Block Cap
5. Pillow Blocks
6. Shims
7. Treadle Shaft Arm
8. Yoke Clevis
9. Lower Treadle Rod
10. Spring Stop Plate
11. Return Spring
12. Washer
13. Micro Switch Bracket
14. Micro Switch
16. Yoke Clevis
17. Lower Bell Crank
18. Bell Crank Pivot Pin
19. Yoke Clevis
20. Upper Treadle Rod
21. Yoke Clevis
22. Brake Valve
23. Valve Bracket
24. Solenoid
25. Air Cylinder
26. Spring
27. Bushing
28. Piston Rod
29. Yoke Clevis
30. Bushing
31. Pivot Arm
32. Bearing Retainer Cap
33. Pivot Arm Fulcrum

STANDARD BACKGAGE



MICROMETER TYPE BACKGAGE

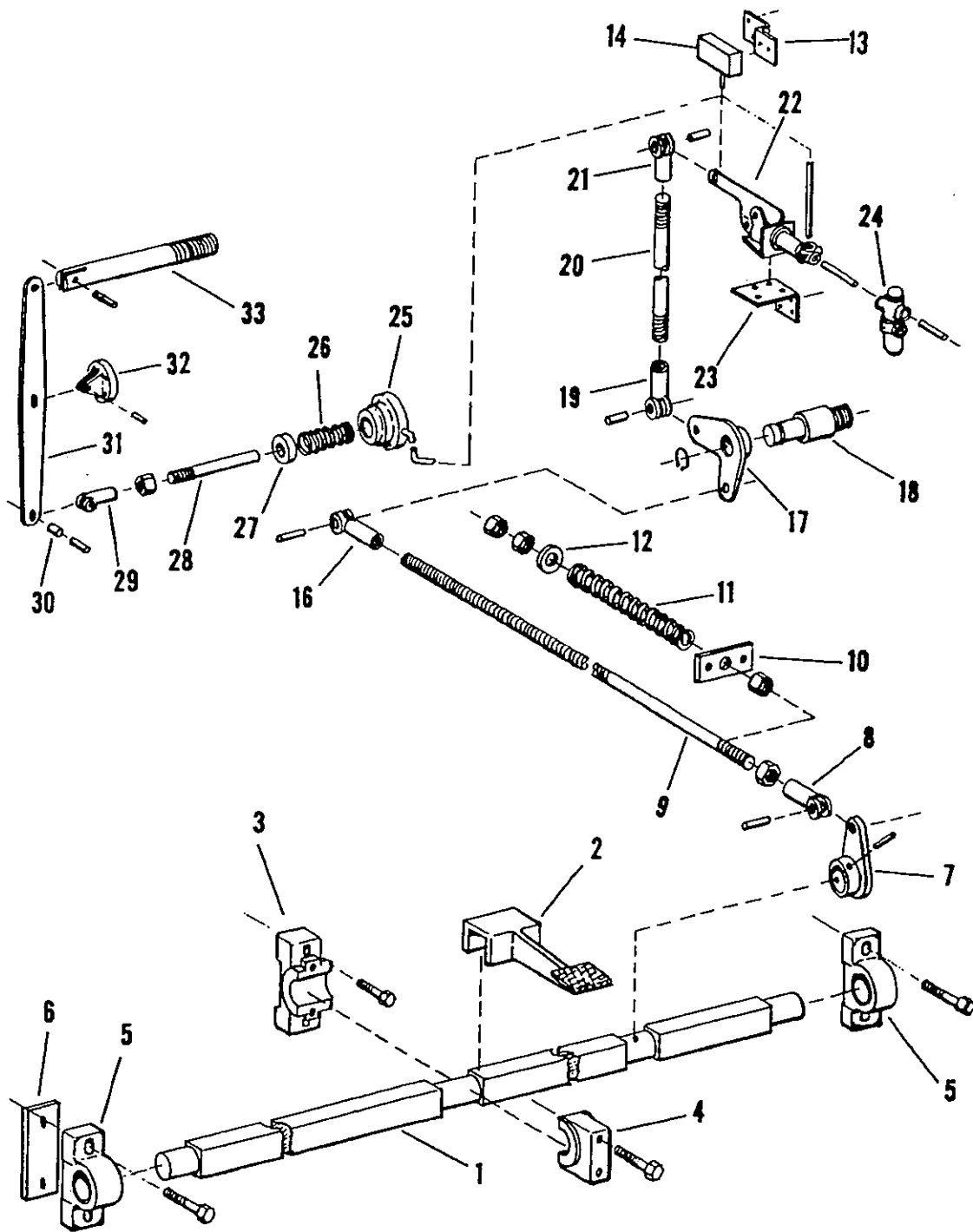


STANDARD BACKGAGE

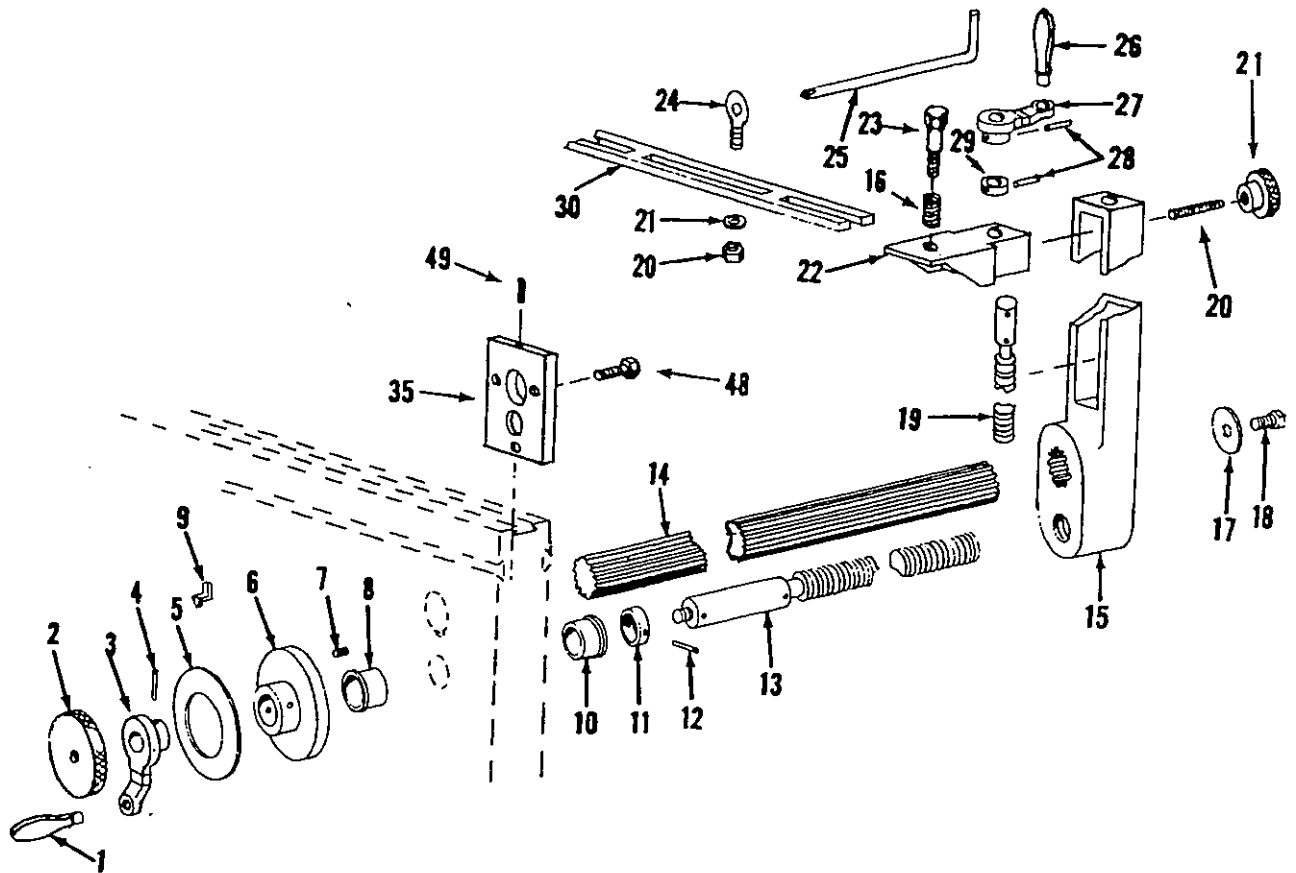
1. Finger Bolt
2. Tee Bolt
3. Washer
4. Nut
5. Finger Rest
6. Backgage Brackets
7. Finger
8. Bracket Screw
9. Washer

MICROMETER TYPE BACKGAGE

14. Bracket
15. Tee Bolt
16. Micrometer Stud
17. Micrometer Support
18. Nut
19. Micrometer Nut
20. Jam Nut
21. Hex HD Cap Screw
22. Finger Support
23. Finger



FRONT OPERATED MICROMETER BACKGAGE



FRONT OPERATED-POWER DRIVEN-MICROMETER BACKGAGE

