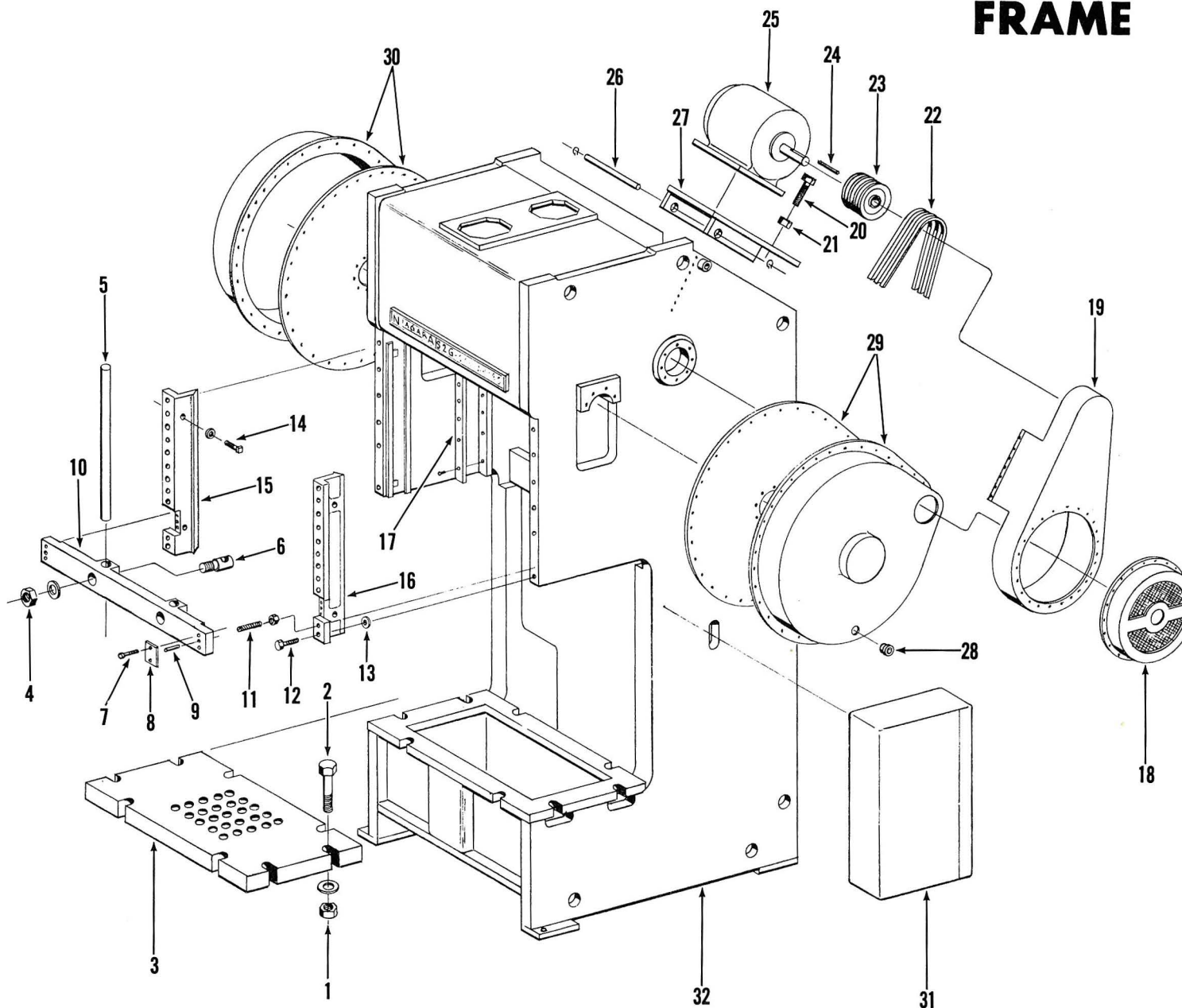


NIAGARA S2G GAP FRAME PRESSES

FRAME



- | | |
|----------------------------|---------------------------|
| 1. Bolster Mounting Nut | 17. Rear Gib Liner |
| 2. Bolster Mounting Screw | 18. Flywheel Guard Bonnet |
| 3. Bolster Plate | 19. Flywheel Guard |
| 4. Knockout Clamping Nut | 20. Motor Adjusting Screw |
| 5. Knockout Pin | 21. Lock Nut |
| 6. Knockout Clamp | 22. "V" Belts |
| 7. Retainer Mounting Screw | 23. Main Motor Sheave |
| 8. Dowel Retainer | 24. Main Motor Key |
| 9. Frame Tie Dowel | 25. Main Motor |
| 10. Frame Tie | 26. Motor Hinge Pin |
| 11. Adjusting Screw | 27. Main Motor Plate |
| 12. Gib Screw | 28. Oil Level Window |
| 13. Gib Spacer | 29. R.H. Gear Guard |
| 14. Gib Lock Screw | 30. L.H. Gear Guard |
| 15. L.H. Gib | 31. Control Box |
| 16. R.H. Gib | 32. Press Frame |