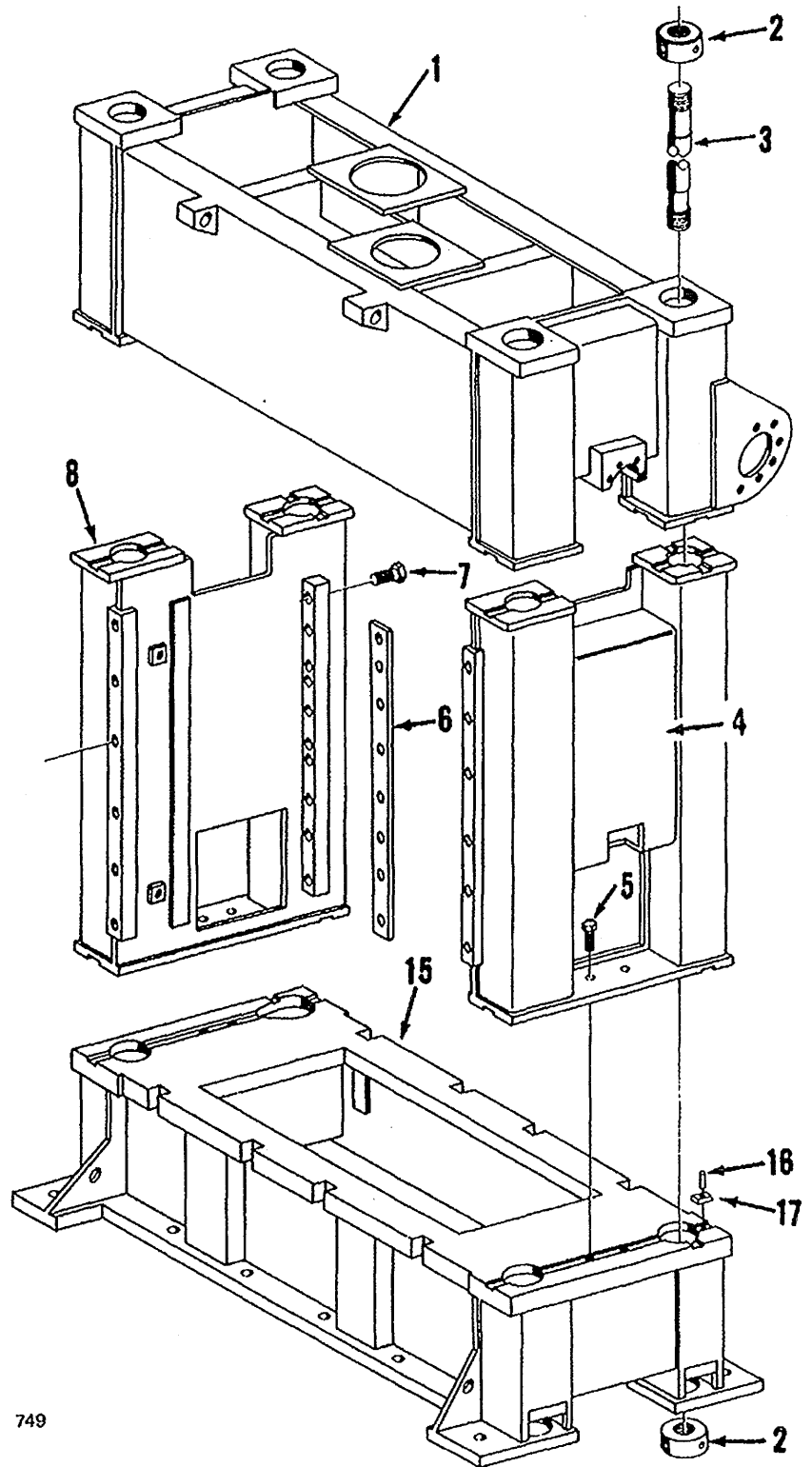


FORM A-13-J

STRAIGHT SIDE FOUR PIECE FRAME

Degrees Turn on Tie Rod Nut:



- 1. Crown
- 2. Tie-Rod Nut
- 3. Tie-Rod
- 4. R. H. Upright
- 5. Hex Hd. Capscrew
- 6. Rear Gib
- 7. Hex Hd. Capscrew
- 8. L. H. Upright
- 15. Bed
- 13. Dowel
- 17. Key

749