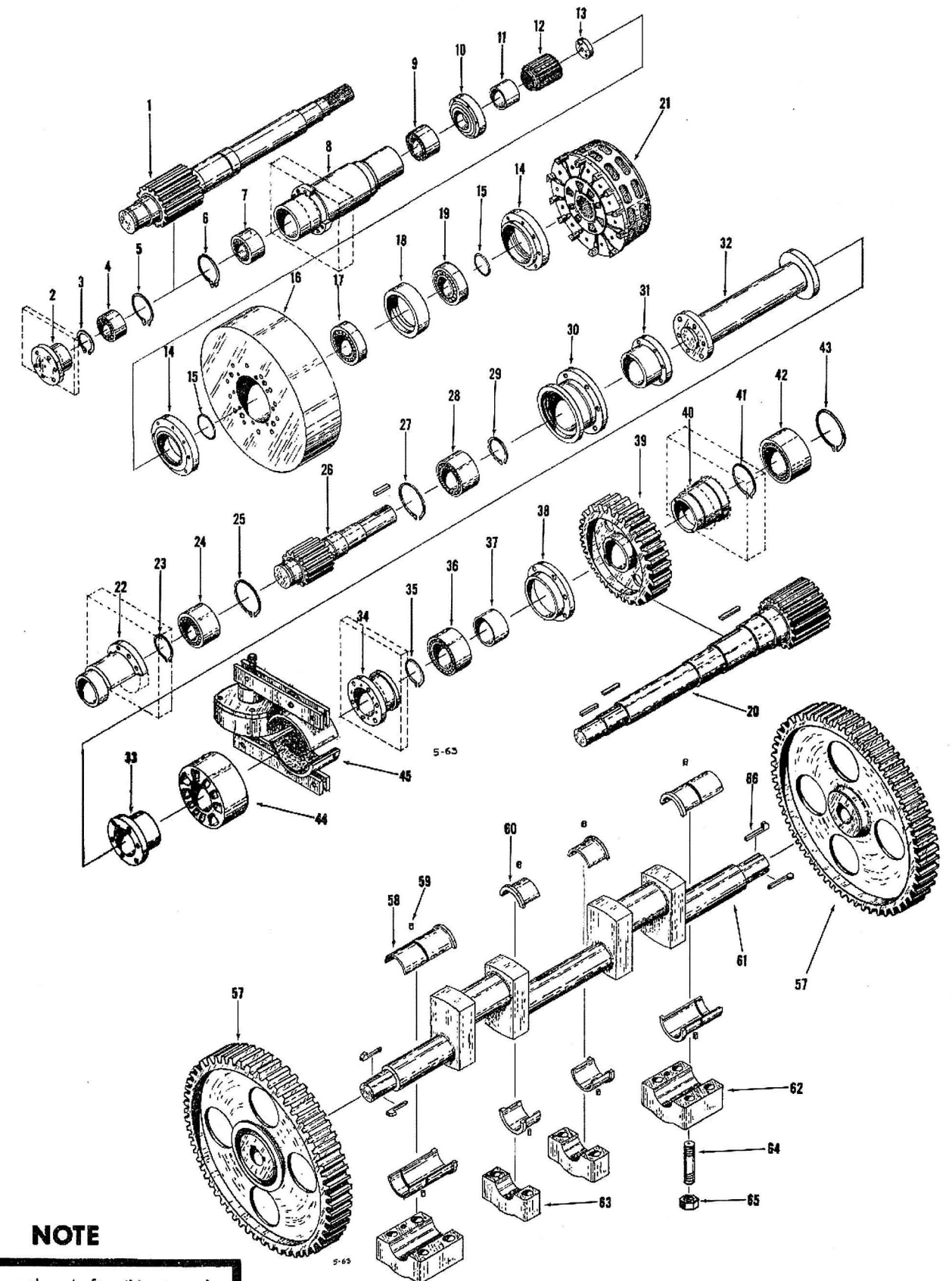


DOUBLE GEARED - TWIN END DRIVE

DOUBLE GEARED TWIN END DRIVE

1. Drive Shaft
2. Drive Shaft Bearing Bracket
3. Retainer Ring
4. Roller Bearing
5. Retainer Ring
6. Retainer Ring
7. Roller Bearing
8. R.H. Bearing Housing
9. Locating Bearing
10. Drive Shaft Bearing Retainer
11. Spacer
12. Clutch Hub
13. Retaining Washer
14. Flywheel Bearing Container
15. 'O' Ring
16. Flywheel
17. Inboard Flywheel Bearing
18. Flywheel Filler Ring
19. Outboard Flywheel Bearing
20. R.H. Intermediate Shaft
21. Clutch (See Clutch Parts List)
22. L.H. Bearing Housing
23. Retainer Ring
24. Roller Bearing
25. Retainer Ring
26. L.H. Intermediate Shaft
27. Retainer Ring
28. Locating Bearing
29. Retainer Ring
30. L.H. Bearing Cartridge
31. L.H. Coupling
32. Middle Intermediate Shaft
33. R.H. Coupling
34. L.H. Intermediate Shaft Bearing Cartridge
35. Retainer Ring
36. Locating Bearing
37. Spacer
38. Intermediate Shaft Bearing Retainer
39. Intermediate Gear
40. R.H. Intermediate Shaft Bearing Cartridge
41. Retainer Ring
42. Roller Bearing
43. Retainer Ring
44. Brake Collar
45. Brake (See Brake Parts List)
57. Main Gear
58. Outer Crankshaft Bushing
59. Bushing Dowel
60. Inner Crankshaft Bushing
61. Crankshaft
62. Outer Bearing Cap
63. Inner Bearing Cap
64. Bearing Cap Stud
65. Nut
66. Main Gear Key



NOTE

When ordering repair parts from this page, give this Form Number, Machine Serial No., and Corresponding Reference No. from REVERSE SIDE of THIS SHEET.