

# PARTS LIST

When ordering parts always give the catalog and serial number of the shear. The serial number is stamped at or near the front left corner of the bed and also on the metal lubrication plate. Be sure to use complete names of parts listed for positive identification.

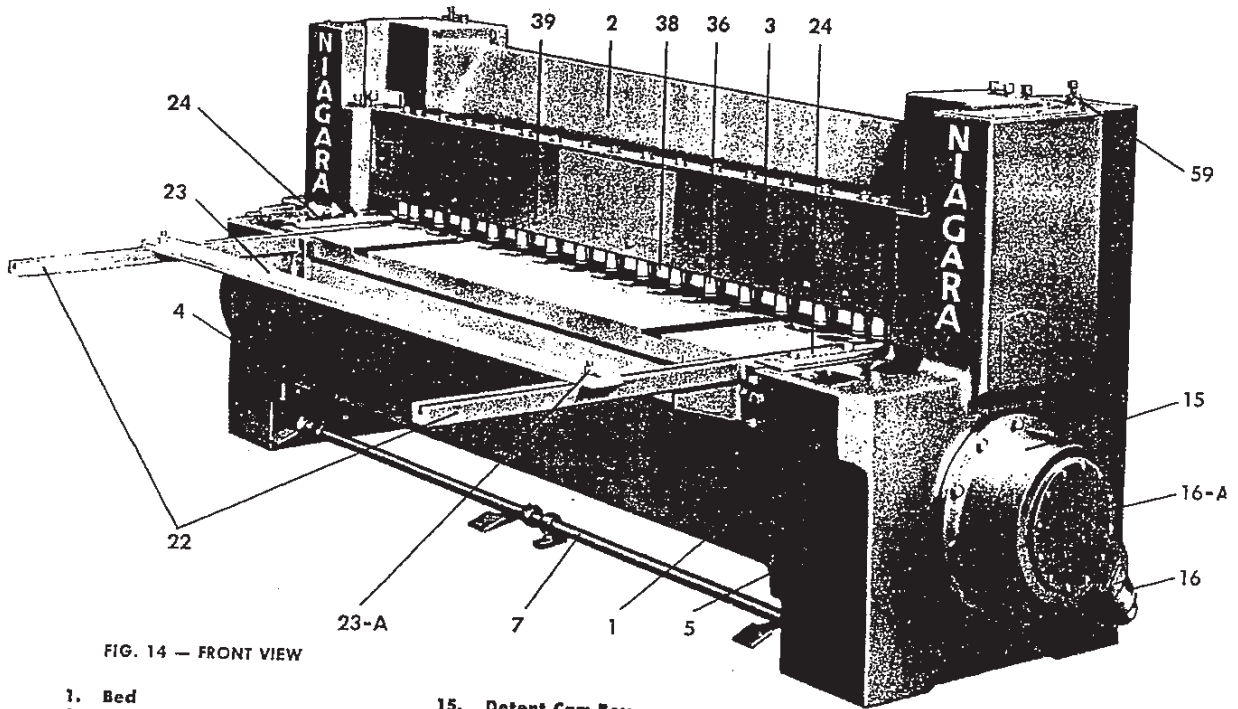


FIG. 14 — FRONT VIEW

- |                       |                           |                               |
|-----------------------|---------------------------|-------------------------------|
| 1. Bed                | 15. Detent Cam Box        | 24. Side Gage                 |
| 2. Cross Head         | 16. Detent Spring Pot     | 36. Holddown Foot             |
| 3. Holddown           | 16-A Detent Cam Box Cover | 38. Knife Guard               |
| 4. Left Hand Housing  | 22. Front Brackets        | 39. Knife Guard Bolt          |
| 5. Right Hand Housing | 23. Front Gage            | 59. Counterbalance Spring Rod |
| 7. Treadle Shaft      | 23-A Front Gage Bolts     |                               |

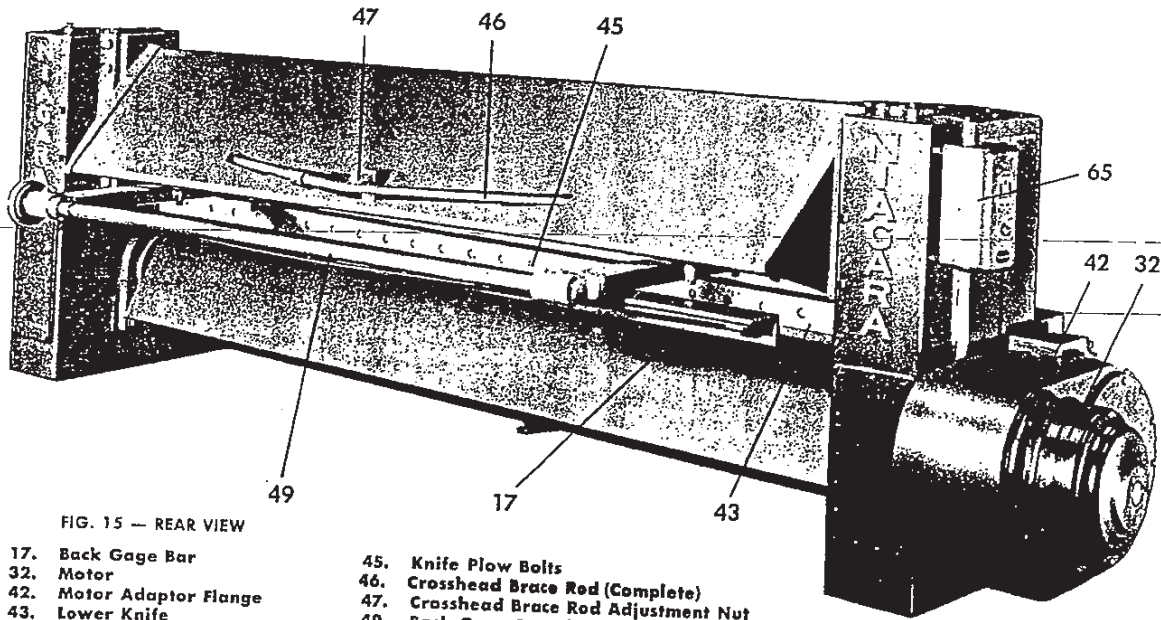
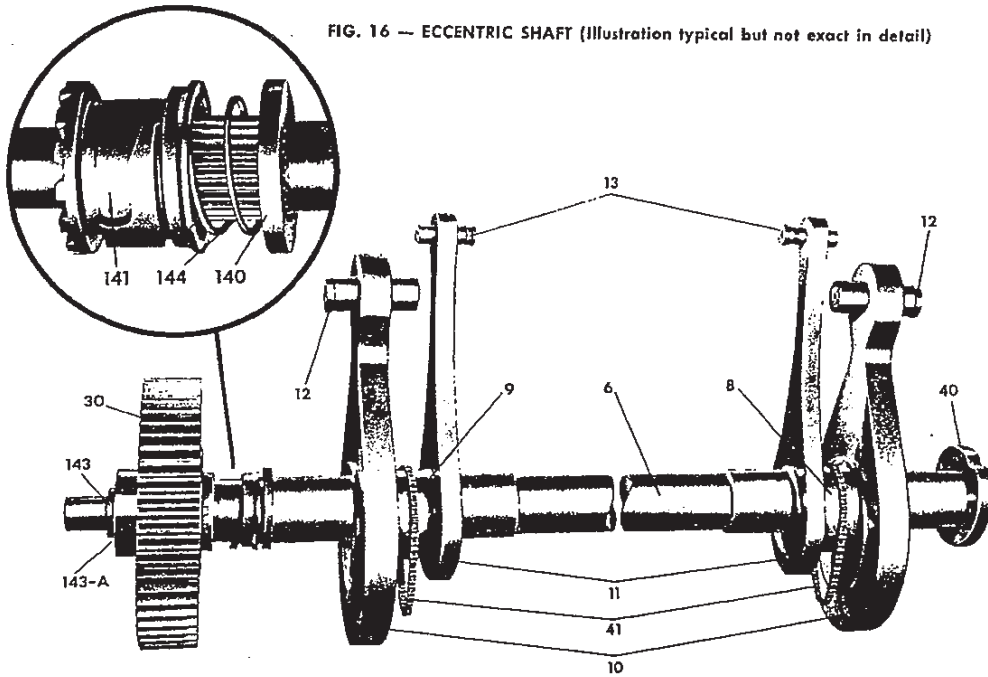


FIG. 15 — REAR VIEW

- |                          |  |
|--------------------------|--|
| 17. Back Gage Bar        | 45. Knife Plow Bolts                   |
| 32. Motor                | 46. Crosshead Brace Rod (Complete)     |
| 42. Motor Adaptor Flange | 47. Crosshead Brace Rod Adjustment Nut |
| 43. Lower Knife          | 49. Back Gage Squaring Shaft           |
| 44. Upper Knife          | 65. Motor Starter                      |

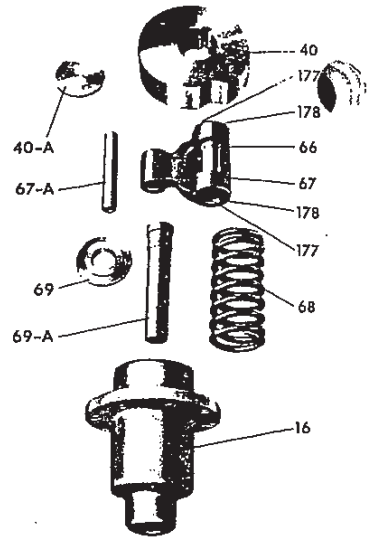
\* Not Illustrated

FIG. 16 — ECCENTRIC SHAFT (Illustration typical but not exact in detail)



- |                                |                           |                           |
|--------------------------------|---------------------------|---------------------------|
| 6. Eccentric Shaft             | 12. Crosshead Wrist Pins  | 140. Single Stroke Cam    |
| 8. R.H. Eccentric              | 13. Holddown Wrist Pins   | 141. Clutch Sleeve        |
| 9. L.H. Eccentric              | 30. Clutch Gear           | 143. Locknut              |
| 10. Crosshead Eccentric Straps | 40. Detent Cam            | *143-A Lockwasher         |
| 11. Holddown Eccentric Straps  | 41. Eccentric Oiler Chain | 144. Clutch Sleeve Spring |
- \* Not Illustrated

FIG. 17 — DETENT BRAKE



- |                                   |
|-----------------------------------|
| 16. Detent Spring Pot             |
| 40. Detent Cam                    |
| 40-A Detent Cam Housing Washer    |
| 66. Detent Cam Roller             |
| 67. Detent Cam Lever              |
| 67-A Detent Lever Pin             |
| 68. Detent Spring                 |
| 69. Detent Spring Plunger         |
| 69-A Detent Plunger Stem          |
| 177. Detent Cam Roller Bearings   |
| 178. Detent Cam Roller Snap Rings |

*NP 28947*

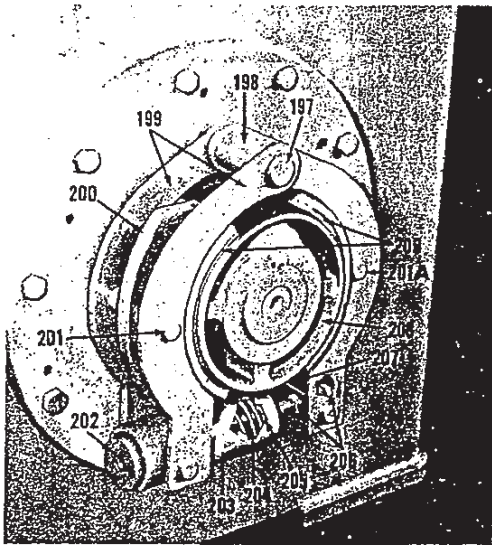
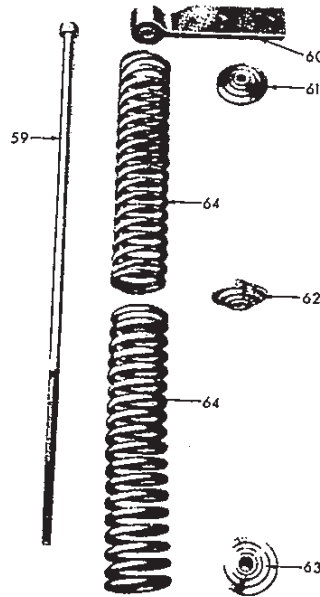


FIG. 17-A — FRICTION BRAKE

- |                       |
|-----------------------|
| 197. Brake Pivot Pin  |
| 198. Pivot Spacer     |
| 199. Brake Lever Arm  |
| 200. Brake Shoe       |
| 201. Brake Shoe Pin   |
| 201-A. Brake Shoe Pin |
| 202. Spring Rod       |
| 203. Spring Rod       |
| 204. Spring           |
| 205. Formica Bushing  |
| 206. Nut              |
| 207. Trunnion         |
| 208. Brake Collar     |
| 209. Brake Lining     |

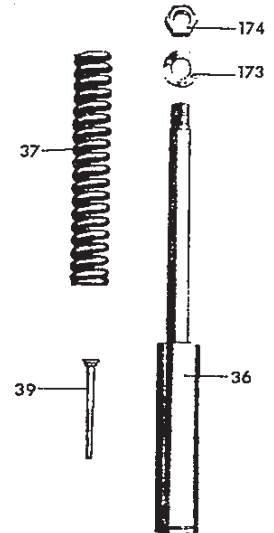
FIG. 18 — COUNTERBALANCE



- |   |
|---|
| 59. Counterbalance Spring Rod           |
| 60. Crosshead Spring Bracket            |
| 61. Upper Counterbalance Spring Washer  |
| 62. Center Counterbalance Spring Washer |
| 63. Lower Counterbalance Spring Washer  |
| 64. Counterbalance Springs              |

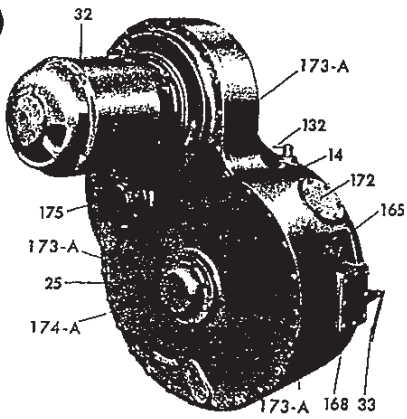
FIG. 19 — HOLDDOWN ASSEMBLY AND KNIFE GUARD MOUNTING SCREW

*2911 13*



- |                      |
|----------------------|
| 36. Holddown Foot    |
| 37. Holddown Spring  |
| 39. Knife Guard Bolt |
| 173. Washer          |
| 174. Nut             |

FIG. 20 — SERIES 12 GEAR BOX



- 14. Gear Box
- 25. Gear Box Cover
- 32. Motor
- 33. Treadle Connection
- 132. Locking Bar Handle
- 165. Single Stroke Cam Cover
- 168. Inspection Cover
- 172. Oil Fill Cover
- 173-A. Dowel Pins; Total of Four
- 174-A. Eccentric Shaft Cover
- 175. Intermediate Pinion Shaft Cover

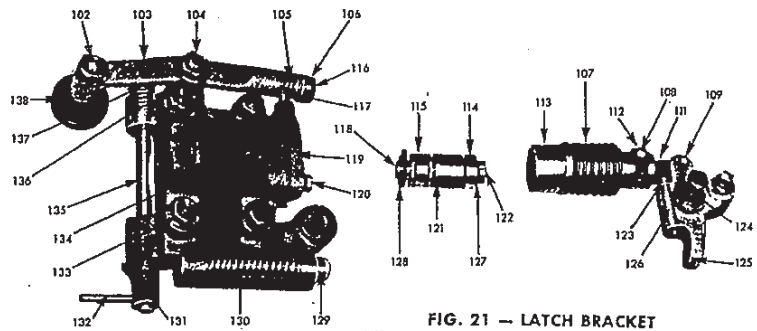


FIG. 21 — LATCH BRACKET  
(Illustration typical but not exact in detail.)

- 102. Cam Roller Shaft
- 103. Cam Lever
- 104. Cam Lever Pin
- 105. Selector Knob Spring
- 106. Single Stroke Selector Knob
- 107. Throwout Spring
- 108. Throwout Pin
- 109. Latch Hinge Pin
- 111. Latch
- 112. Throwout Key
- 113. Throwout
- 114. Throwout Bearing Ball
- 115. Throwout Bearing Needle
- 116. Selector Knob Pin
- 117. Sliding Pin
- 118. Throwout Shaft
- 119. Throwout Housing End Cover
- 120. End Cover Cap Screw
- 121. Spacing Collar
- 122. Throwout Shaft Lock Nut
- 123. Latch Spring Pin
- 124. Bell Crank Pin
- 125. Bell Crank
- 126. Latch Spring
- 127. Lock Washer
- 128. Throwout Shaft Collar
- 129. Treadle Spring Plunger
- 130. Treadle Spring
- 131. Locking Bar Indicator
- 132. Locking Bar Handle
- 133. Throwout Housing Cap Screw
- 134. Throwout Housing
- 135. Locking Bar
- 136. Locking Bar Spring
- 137. Locking Bar End Collar
- 138. Cam Roller

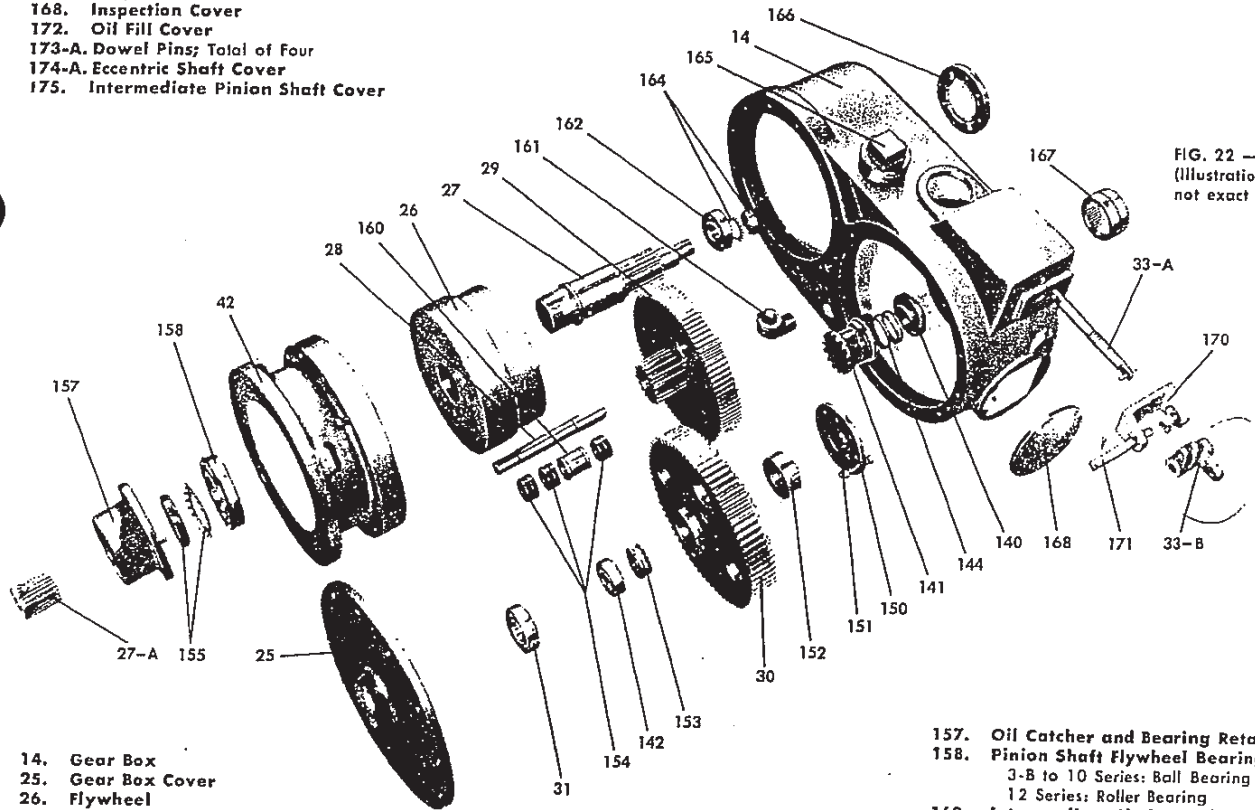


FIG. 22 — GEAR BC  
(Illustration typical but not exact in detail.)

- 14. Gear Box
- 25. Gear Box Cover
- 26. Flywheel
- 27. Drive Shaft
- 27-A. Splined Motor Coupling
- 28. Intermediate Shaft  
(Does not apply to 10 and 12 Series)
- 29. Intermediate Gear and Pinion Cluster
- 30. Clutch Gear
- 31. Cover Bearing  
(Does not apply to 8 and 9 Series)
- 33-A. Treadle Connecting Link
- 33-B. Upper Treadle Lever
- 42. Motor Adapter Flange
- 140. Single Stroke Cam
- 141. Clutch Sleeve
- 142. Outer Clutch Gear Bearings  
3-B to 9 Series: Single Row Ball Bearing;  
10 and 12 Series: Timken Tapered Bearing.
- 144. Clutch Sleeve Spring
- 150. Clutch Wheel Face
- 151. Clutch Face Bolt and Nut
- 152. Inner Clutch Gear Bearing  
3-B to 9 Series: Double Row Ball Bearing;  
10 and 12 Series: Timken Tapered Bearing.
- 153. Clutch Gear Bearing Spacer
- 154. Intermediate Shaft Bearings  
3-B to 5-B Series: 3 Needle Bearings  
6 and 7-B Series: 4 Needle Bearings  
8 and 9 Series: 2 Bronze Bushings  
10 and 12 Series: Needle Bearing Each End of Shaft
- 155. Locknut and Washer
- 157. Oil Catcher and Bearing Retainer
- 158. Pinion Shaft Flywheel Bearing  
3-B to 10 Series: Ball Bearing  
12 Series: Roller Bearing
- 160. Intermediate Shaft Bearing Spacer  
Does not apply to 10 and 12 Series
- 161. Oil Level Elbow
- 162. Pinion Shaft Bearing  
3-B to 5-B and 12 Series: Ball Bearing  
6 and 7-B Series: Roller Bearings  
8 to 10 Series: Double Row Ball Bearing
- 164. Locknut and Washer
- 165. Single Stroke Cam Cover
- 166. Pinion Shaft Bearing Cover
- 167. Eccentric Shaft Bearing  
3-B to 5-B Series: Needle Bearing  
6 and 7-B Series: 2 Needle Bearings  
8 to 12 Series: Floating Bronze Bushings
- 168. Inspection Cover
- 170. Treadle Lever Bracket
- 171. Treadle Lever Pin

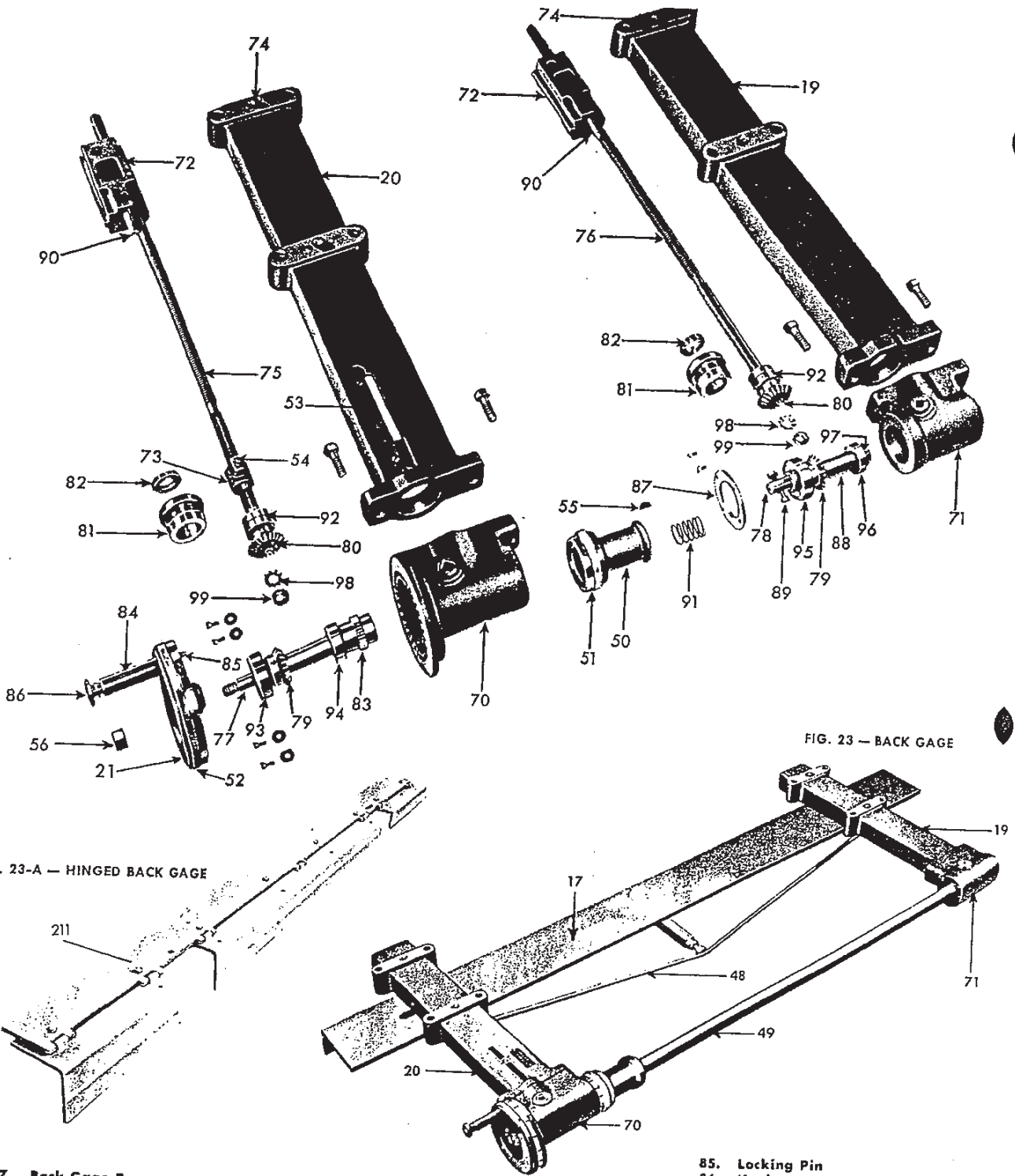


FIG. 23 — BACK GAGE

FIG. 23-A — HINGED BACK GAGE

- 17. Back Gage Bar
- 19. Left Hand Back Gage Bracket
- 20. Right Hand Back Gage Bracket
- 21. Back Gage Handwheel
- 48. Back Gage Brace Rod
- 49. Back Gage Squaring Shaft
- 50. Back Gage Sleeve
- 51. Locking Sleeve Scale
- 52. Handwheel Scale
- 53. Bracket Scale
- 54. Back Gage Adjusting Screw Indicator Nut
- 55. Woodruff Key for Locking Sleeve
- 56. Handwheel Nut
- \*57. Single Bracket Back Gage Adjusting Screw
- \*58. Single Bracket Back Gage Slide
- 70. Right Hand Gear Case

- 71. Left Hand Gear Case
- 72. Slides
- 73. Indicator Nut
- 74. Bracket Dowels
- 75. Right Hand Adj. Screw
- 76. Left Hand Adj. Screw
- 77. Shaft for Right Hand Gear Case
- 78. Shaft for Left Hand Gear Case
- 79. Bevel Gears for Gear Case
- 80. Bevel Gears for Adj. Screws
- 81. Retainer Bushings
- 82. Nuts for Retainer Bushings
- 83. Coupling Gear
- 84. Handle

- 85. Locking Pin
- 86. Knob
- 87. Ring for Left Hand Gear Case
- 88. Spacing Collar for Left Hand Shaft
- 89. Bolt for Connecting Shaft
- 90. Stop Pins
- 91. Spring for Coupling Sleeve
- 92. Double Bearings for Adj. Screws
- 93. R.H. Bearing for R.H. Shaft
- 94. L.H. Bearing for R.H. Shaft
- 95. R.H. Bearing for L.H. Shaft
- 96. L.H. Bearing for L.H. Shaft
- 97. Nut for Left Hand Shaft
- 98. Lockwashers for Adj. Screws
- 99. Locknuts for Adj. Screws
- \*100. Handle Spring
- 211. Hinged Back Gage Plate (sold as assembly only)

\* Not Illustrated

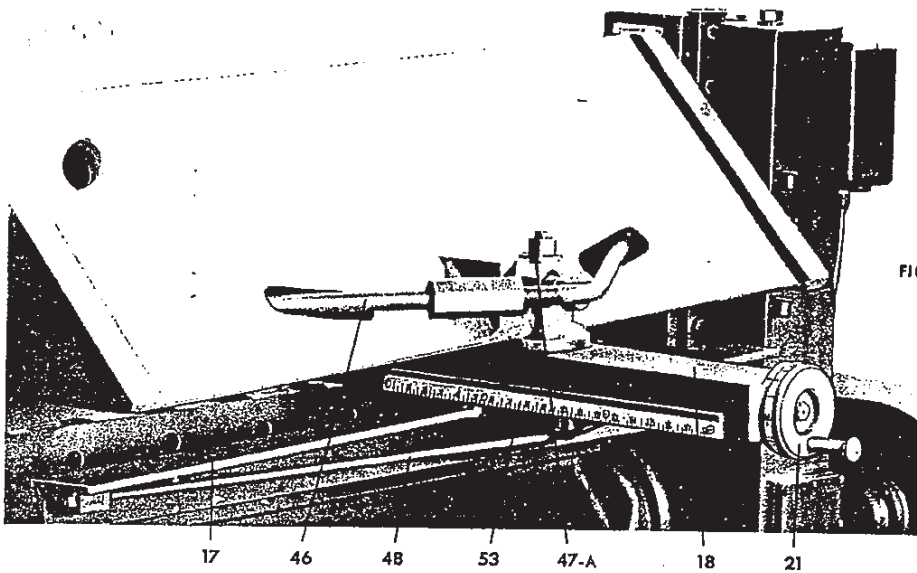


FIG. 24 — SINGLE BRACKET BACK GAGE

- 17. Back Gage Bar
- 18. Single Bracket Back Gage
- 21. Back Gage Handwheel
- 46. Crosshead Brace Rod (Complete)
- 47-A. King Pin Bolt and Nut
- 48. Back Gage Brace Rod
- 53. Bracket Scale

FIG. 25 — POWER OPERATED BACK GAGE

- 179. Control
- 180. Starter
- 181. Chain Guard Cover
- 182. Chain Guard
- 183. Motor
- 184. Counter
- 185. Mounting Bracket
- 186. Driven Sprocket and Spacer
- 187. Back Gage Chain
- 188. Motor Sprocket
- 189. Counter Driving Sprocket
- 190. Counter Sprocket
- 191. Counter Chain

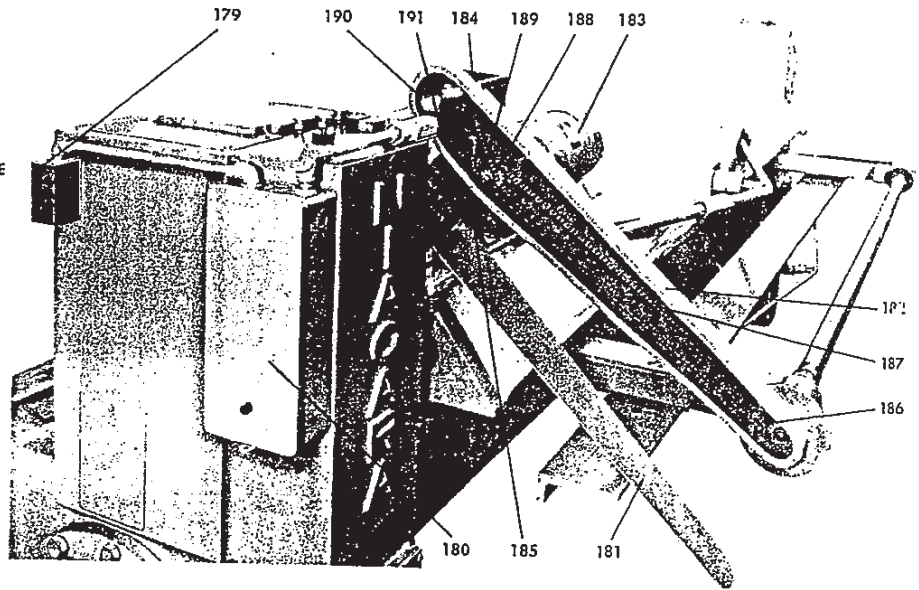
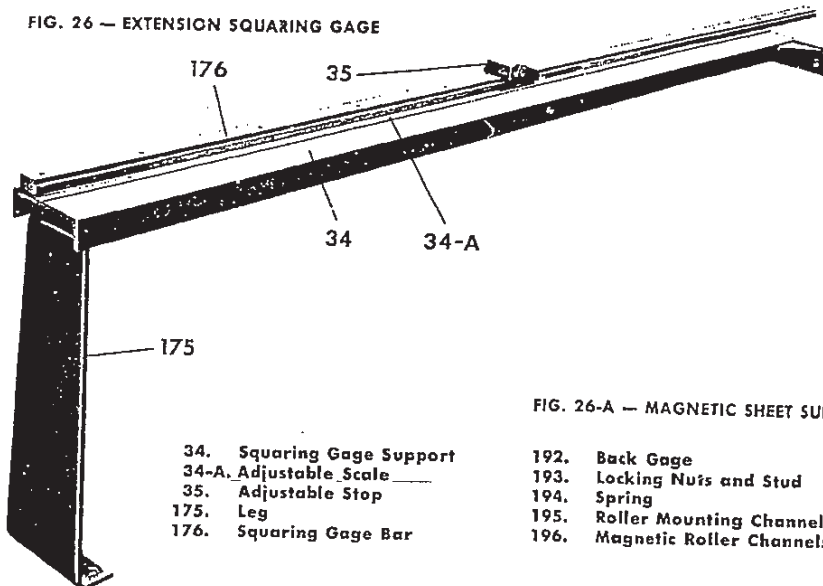
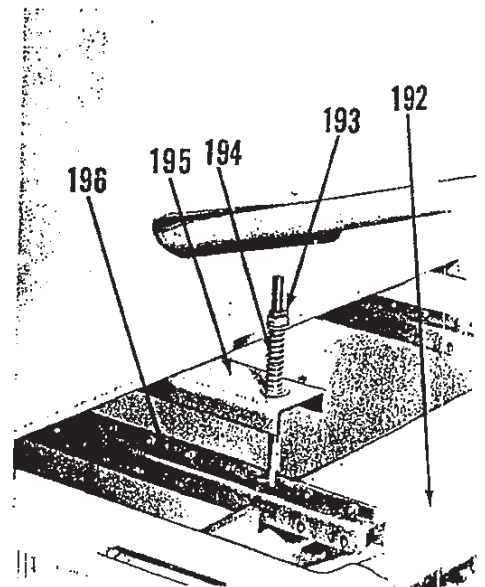


FIG. 26 — EXTENSION SQUARING GAGE



- 34. Squaring Gage Support
- 34-A. Adjustable Scale
- 35. Adjustable Stop
- 175. Leg
- 176. Squaring Gage Bar

FIG. 26-A — MAGNETIC SHEET SUPPORT



- 192. Back Gage
- 193. Locking Nuts and Stud
- 194. Spring
- 195. Roller Mounting Channel
- 196. Magnetic Roller Channels