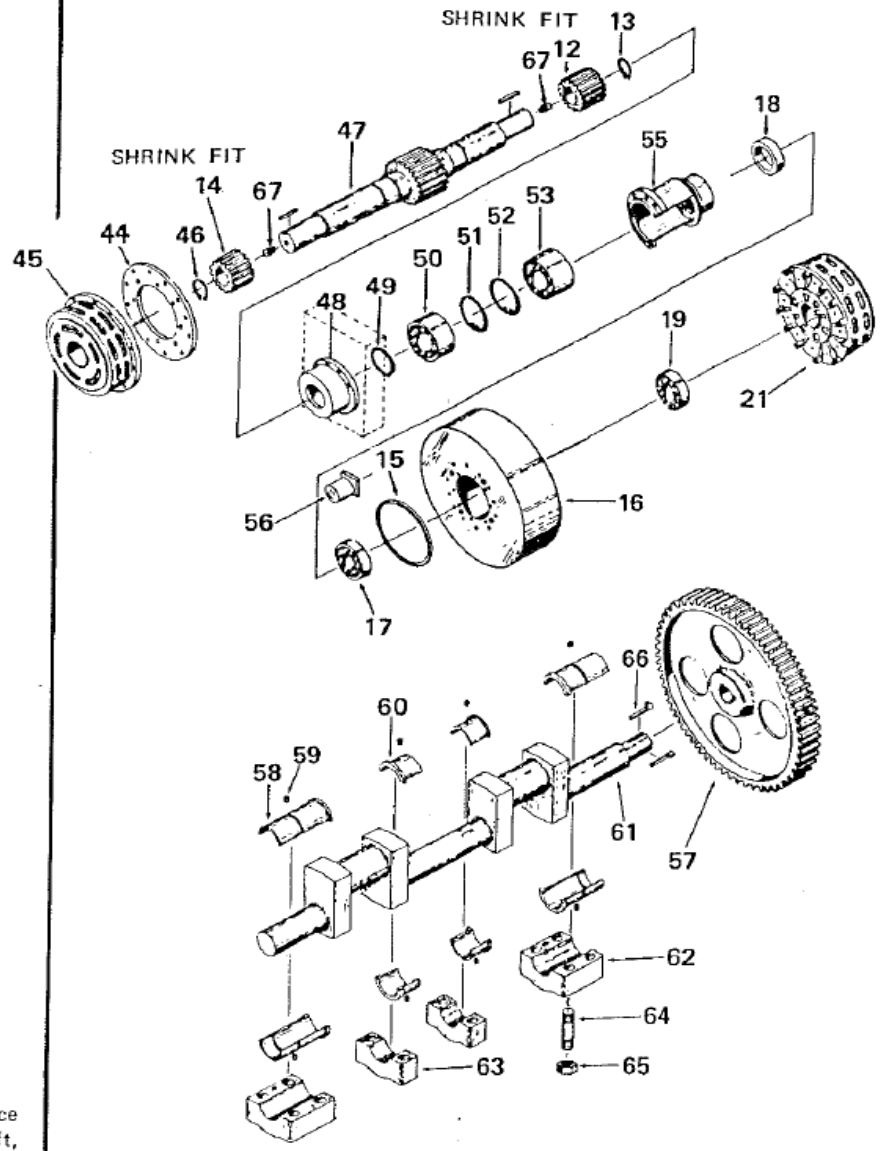


FORM A-13-L-1 SINGLE GEARED-SINGLE END DRIVE

- 12. Clutch Hub
- 13. Retainer Ring
- 14. Brake Hub
- 15. Ring Gasket
- 16. Flywheel
- 17. Inboard Flywheel Bearing
- 18. Spacer
- 19. Outboard Flywheel Bearing
- 21. Clutch (See Separate Parts List)
- 44. Brake Mounting Plate
- 45. Disc Brake (See Separate Parts List)
- 46. Retainer Ring
- 47. Drive Shaft
- 48. Outer Bearing Retainer
- 49. Retainer Ring
- 50. Roller Bearing
- 51. Retainer Ring
- 52. Retainer Ring
- 53. Locating Bearing
- 55. R. H. Bearing Housing
- 56. Flywheel Brake (Optional - See Separate Parts List)
- 57. Main Gear
- 58. Outer Crankshaft Bushing
- 59. Bushing Dowel
- 60. Inner Crankshaft Bushing
- 61. Crankshaft
- 62. Outer Bearing Cap
- 63. Inner Bearing Cap
- 64. Bearing Cap Stud
- 65. Nut
- 66. Main Gear Key
- 67. Grease Fitting (Where Used)



NOTE: Flywheel Bearing Lubrication (Once Each Year) Presses with clutch on driveshaft, Serial Nos. 47200 thru 52000 - remove cover from clutch and lubricate through fitting on end of driveshaft. Presses with Serial Nos. 52000 and above lubricate through fitting located on end of driveshaft behind center opening in disc brake. Use Chevron SR1 No. 2 grease. Reassemble parts that have been removed before operating press.