

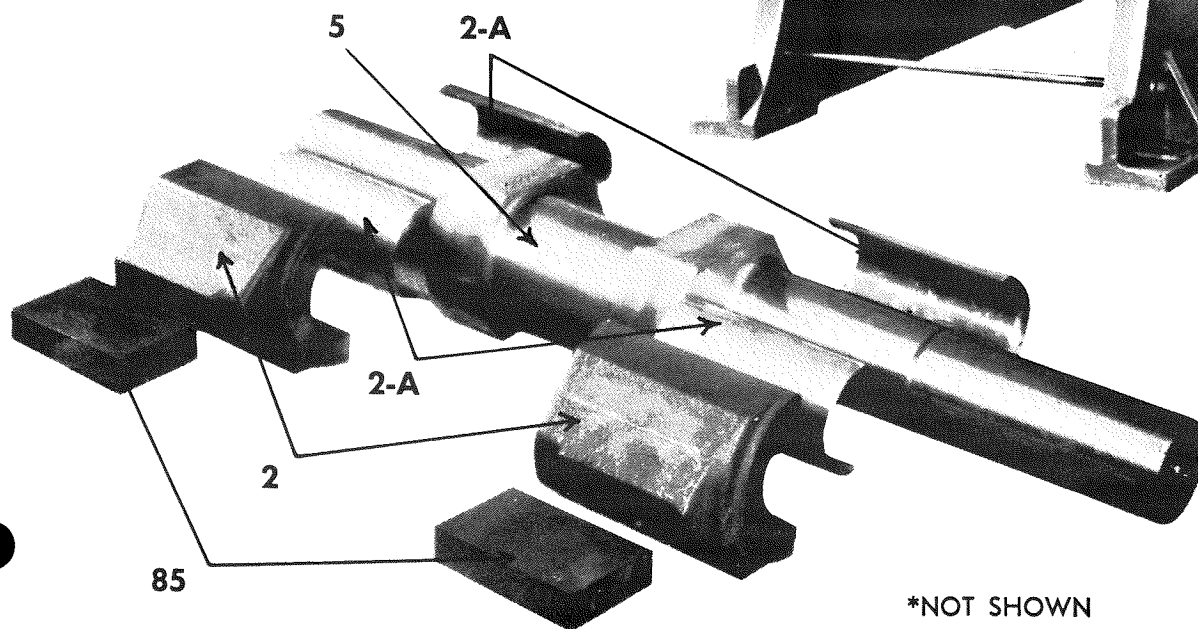
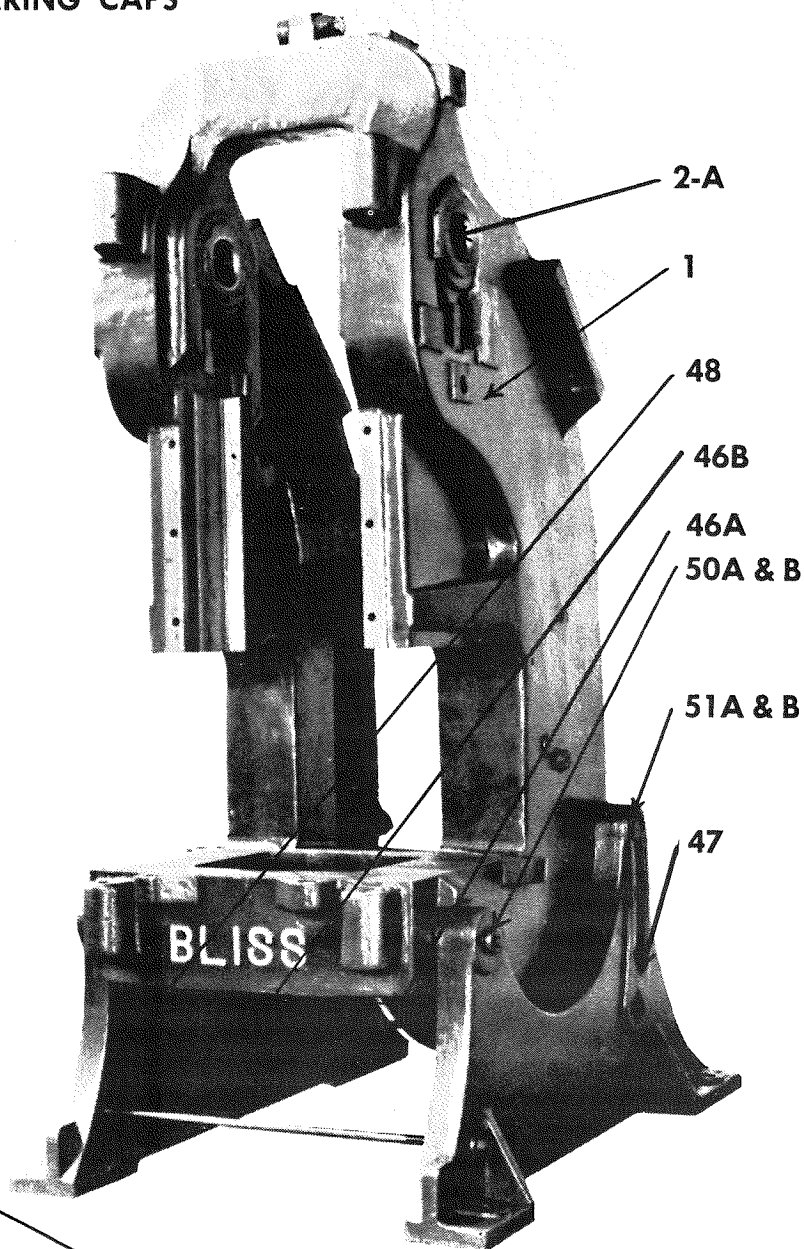
BLISS INCLINABLE PRESSES

PRESS NUMBERS 23 THROUGH 28-1/2

FRAME, LEGS, CRANKSHAFT, AND BEARING CAPS

Parts List

- 1 FRAME
- 2 CRANKSHAFT MAIN BEARING CAP
- 2-A CRANKSHAFT MAIN BEARING CAP BUSHING
- 5 CRANKSHAFT
- * 46-A LEG TIE ROD (REAR)
- 46-B LEG TIE ROD (FRONT)
- 47 LEG - RIGHT HAND
- 48 LEG - LEFT HAND
- 50-A LEG PIVOT BOLT
- 50-B NUT FOR LEG PIVOT BOLT
- 51-A LEG CLAMPING BOLT (OR STUD)
- 51-B LEG CLAMPING BOLT NUT
- 85 CRANKSHAFT MAIN BEARING WEDGE



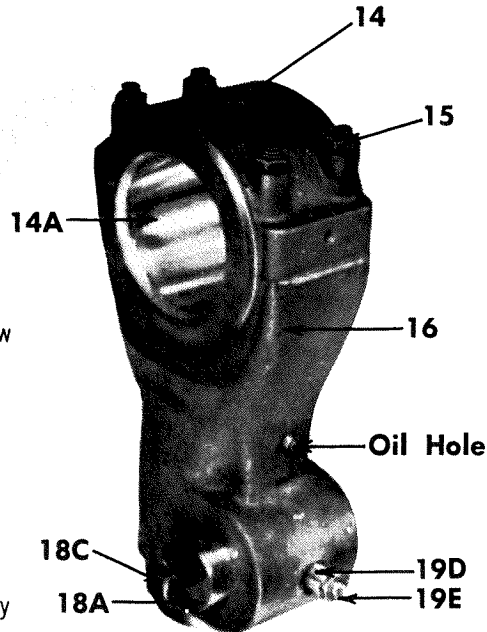
*NOT SHOWN

BLISS INCLINABLE PRESSES

PRESS NUMBERS 23 THROUGH 28 SLIDE AND CONNECTION ASSEMBLY

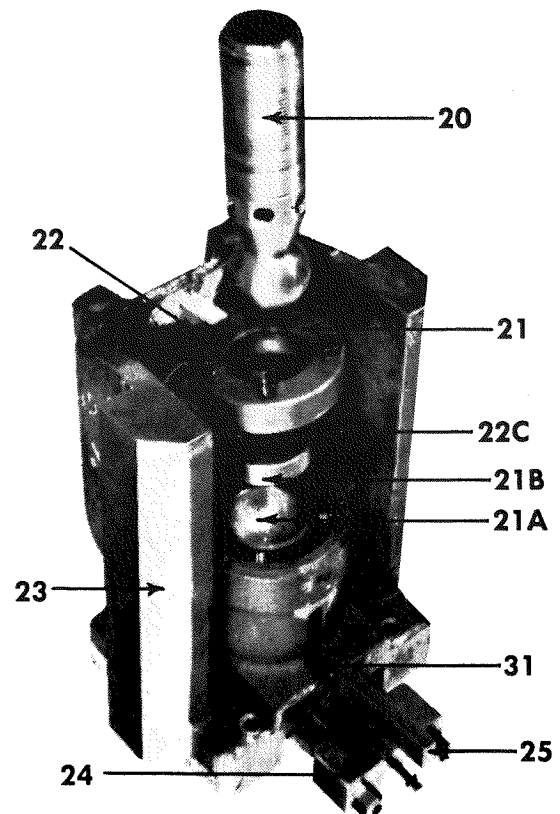
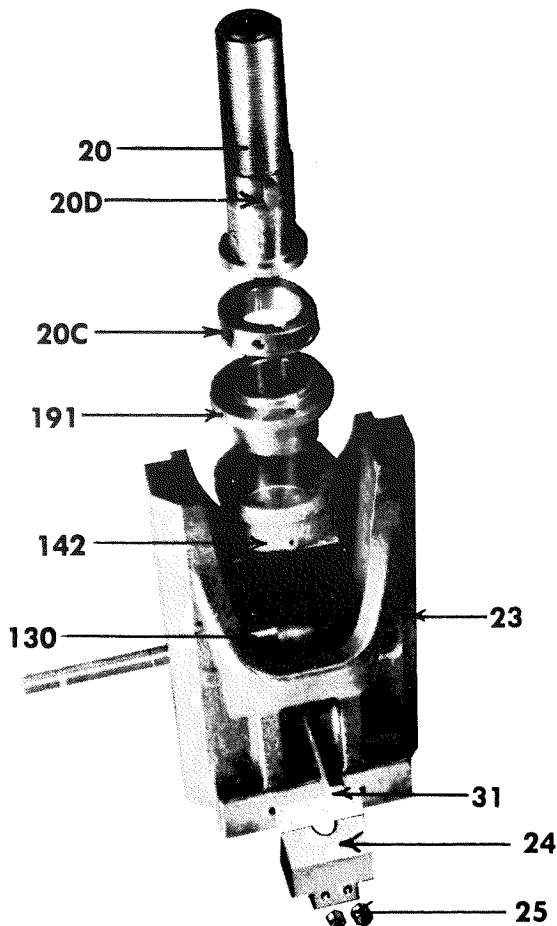
Parts List

- 14. Connection Cap
- 14A. Connection Cap Bushing
- 15. Connection Cap Stud
- 16. Connection
- 18A. Connection Screw Clamping Plug
- 18C. Connection Screw Clamping Plug Screw
- 19D. Clamping Plug Dummy Screw
- 19E. Clamping Plug Spreader
- 20. Connection Screw
- 20C. Connection Screw Adjusting Collar
- 20D. Connection Screw Adjusting Collar Key
- 21. Connection Screw Ball Box



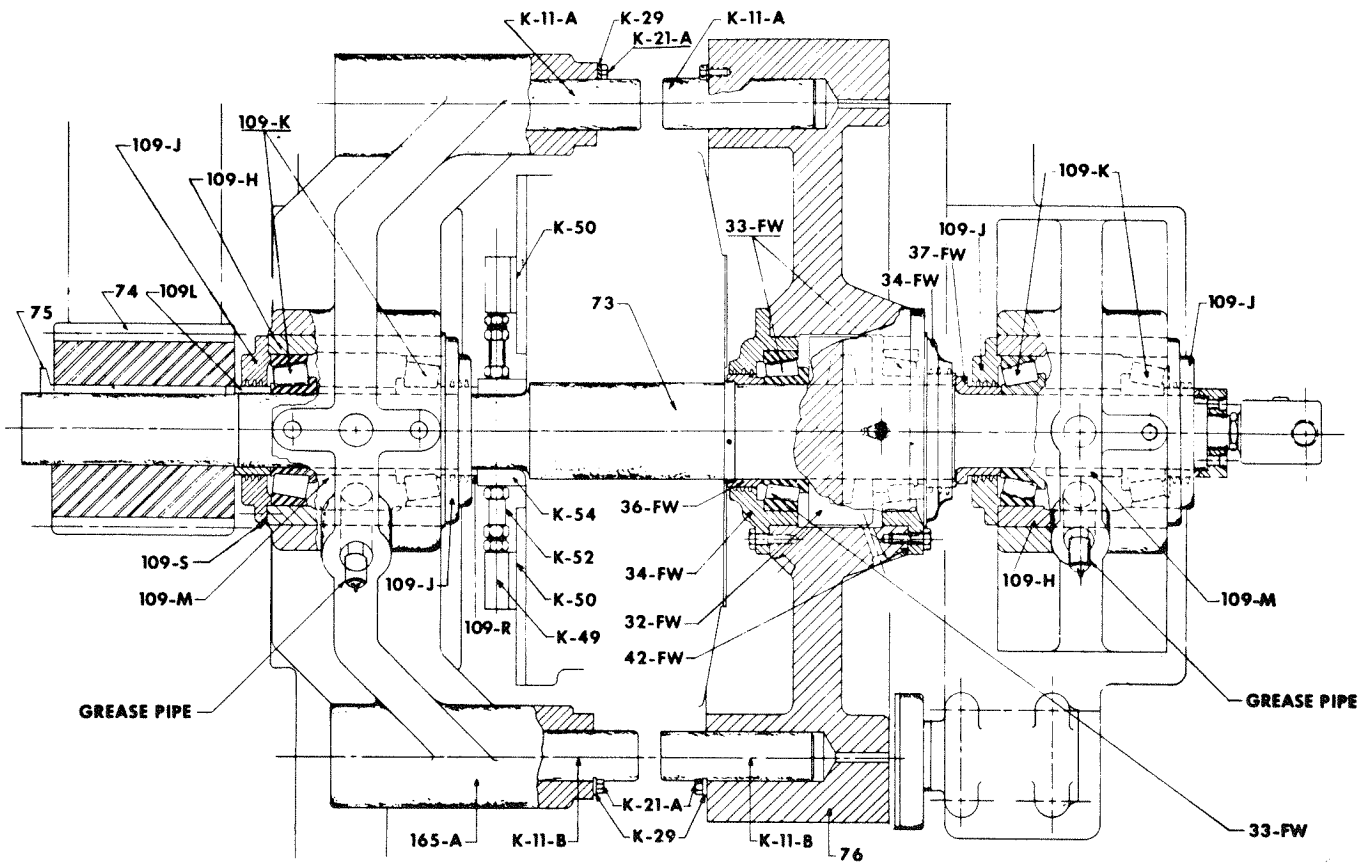
Parts List

- 21A. Connection Screw Ball Box
- 21B. Connection Screw Ball Box Cap Bushing
- 22. Connection Screw Ball Box Cap Set Screw
- 22C. Connection Screw Ball Box Cap Shim
- 23. Slide
- 24. Slide Recess Cap
- 25. Slide Recess Cap Stud
- 31. Knockout Bar
- 130. Connection Wrist Pin
- 142. Connection Wrist
- 191. Connection Screw and Wrist Retaining Bushing



BLISS INCLINABLE PRESSES

PRESS NUMBERS 23 THROUGH 28-1/2



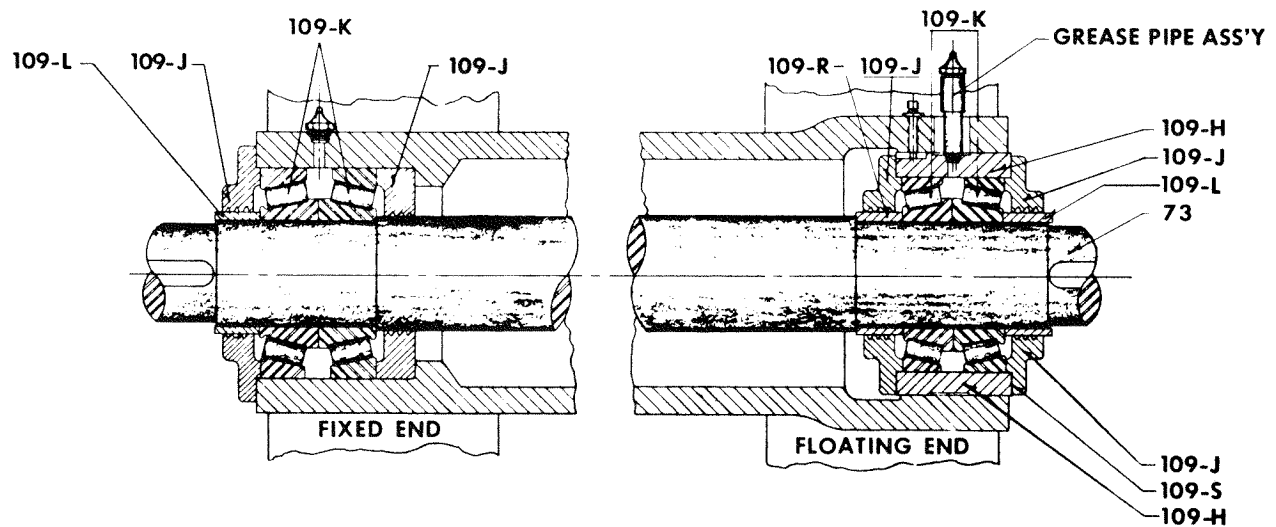
TYPE "K" CLUTCH SHAFT ASSEMBLY (23 THRU 28½ GEARED)

Part No.	Part Name	Part No.	Part Name
73	MAIN DRIVESHAFT	K-11-A	FRICITION DISC PIN (fixed end)
74	MAIN DRIVE PINION	K-11-B	FRICITION DISC PIN (floating end)
75	MAIN DRIVE PINION KEY	K-21-A	FRICITION DISC PIN PLATE SCREW
76	FLYWHEEL	K-29	FRICITION DISC PIN PLATE
109-H	MAIN DRIVESHAFT BEARING SLEEVE	K-49	AIR TUBE BLOCK
109-J	MAIN DRIVESHAFT BEARING COLLAR	K-50	AIR TUBE BLOCK GASKET
109-K	MAIN DRIVESHAFT BEARING	K-52	AIR TUBE & COUPLING ASSEMBLING
109-L	MAIN DRIVESHAFT BEARING SPACER (outer)	K-54	SHAFT SPACER
109-M	MAIN DRIVESHAFT BEARING SPACER (center)	32-FW	FLYWHEEL BEARING SPACER (center)
109-R	MAIN DRIVESHAFT BEARING SPACER (inner)	33-FW	FLYWHEEL BEARING
109-S	MAIN DRIVESHAFT BEARING SHIMS	34-FW	FLYWHEEL BEARING RETAINER
117-B	MAIN DRIVESHAFT END BEARING SPACER	36-FW	FLYWHEEL BEARING SPACER TO CLUTCH SIDE
165-A	BRAKE BRACKET	37-FW	FLYWHEEL BEARING SPACER TO CLAMP SIDE
		42-FW	FLYWHEEL BEARING ADJUSTING SHIMS

BLISS INCLINABLE PRESSES

PRESS NUMBERS 23 THROUGH 28-1/2

BEARINGS ON R. K. C.

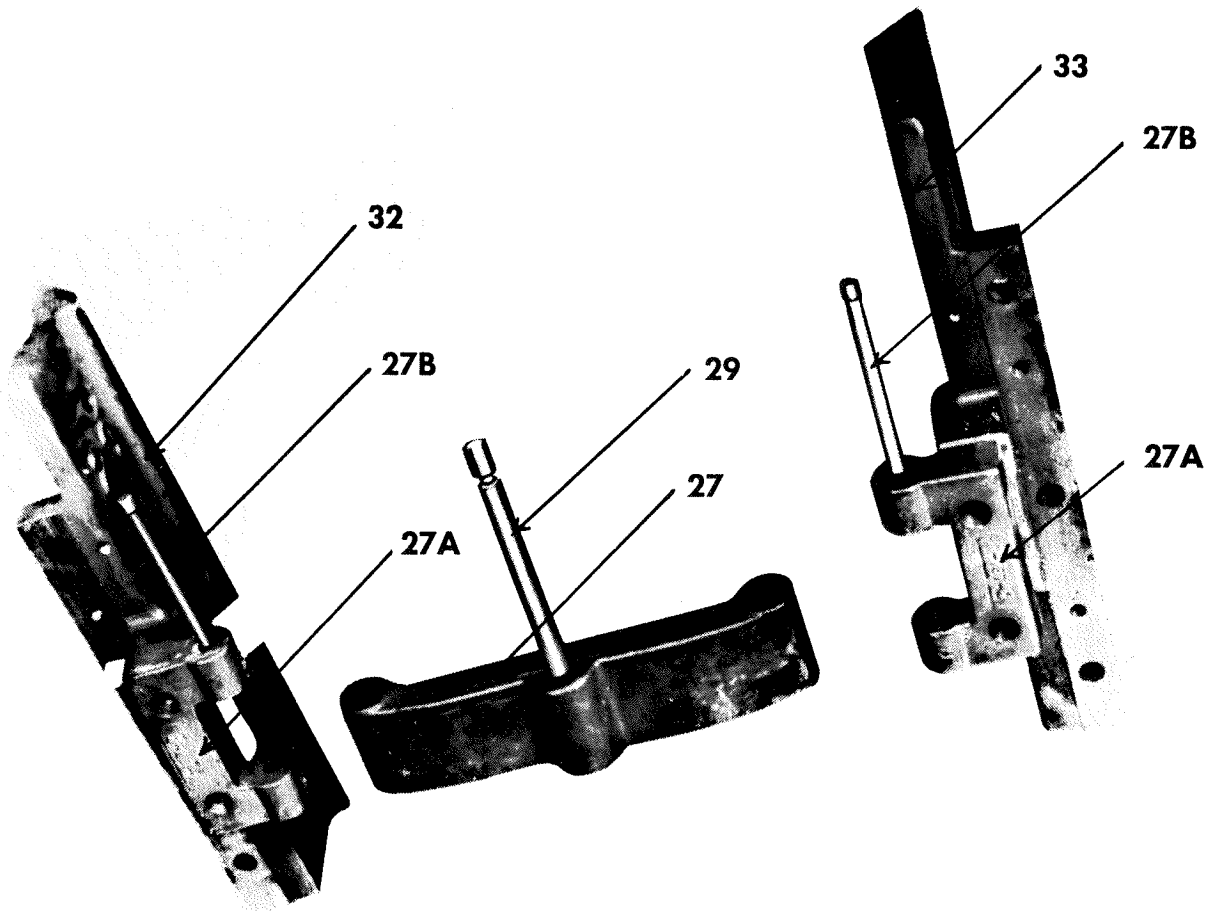


Part No.	Part Name
73	MAIN DRIVESHAFT
109-H	MAIN DRIVESHAFT BEARINGS SLEEVE
109-J	MAIN DRIVESHAFT BEARING COLLAR (INNER & OUTER)
109-K	MAIN DRIVESHAFT BEARING
109-L	MAIN DRIVESHAFT BEARING SPACER (OUTER)
109-R	MAIN DRIVESHAFT BEARING SPACER (INNER)
109-S	MAIN DRIVESHAFT BEARING SHIMS

BLISS INCLINABLE PRESSES

PRESS NUMBERS 23 THROUGH 28-1/2

BAR KNOCKOUT ASSEMBLY



Parts List:

- 27. Knockout bar bracket, front
- 27A. Knockout bar bracket, lug front
- 27B. Knockout bar bracket hinge pin
- 29. Knockout bar adjusting set screw
- 32. Gib, L.F.
- 33. Gib, R.F.