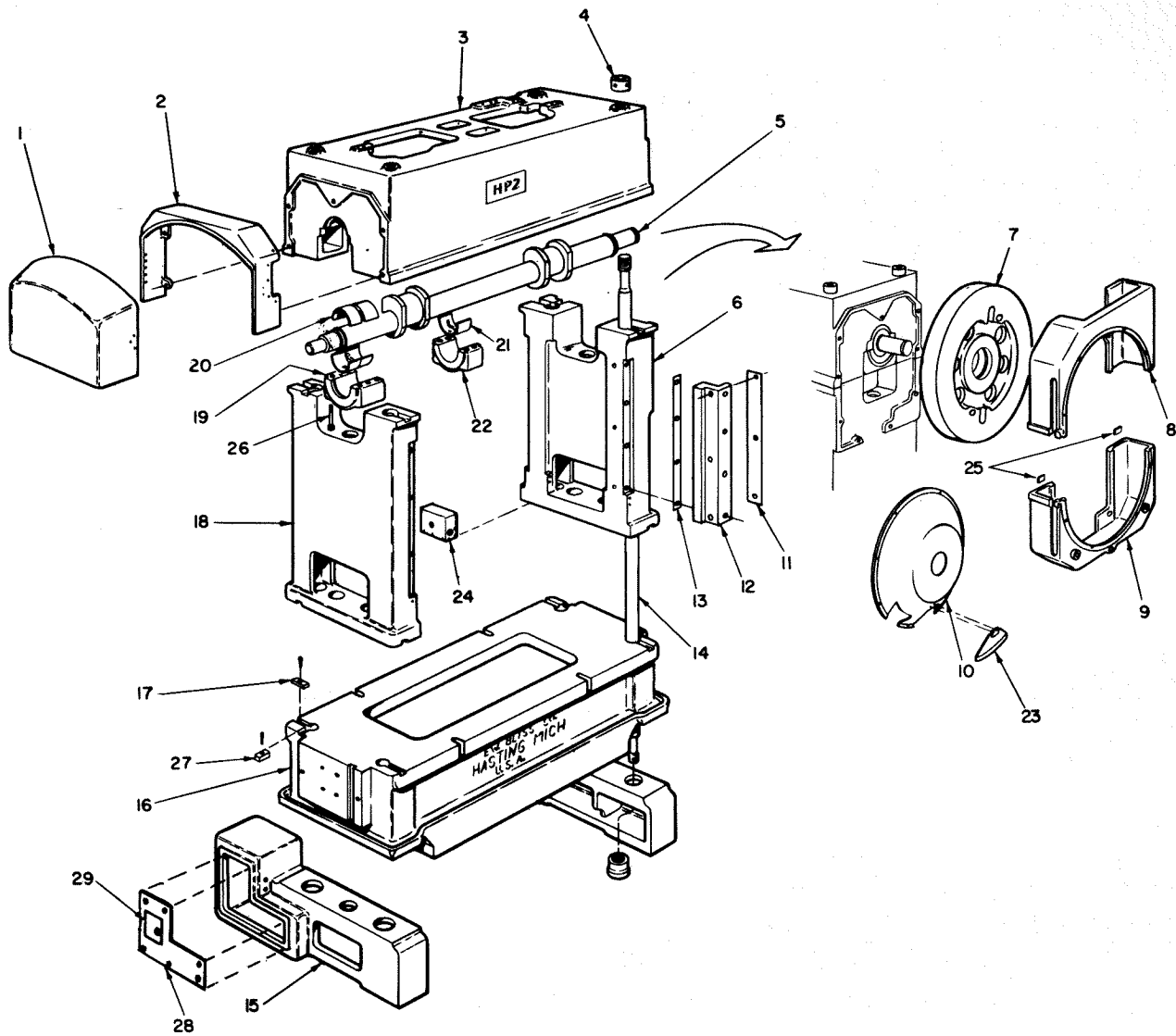


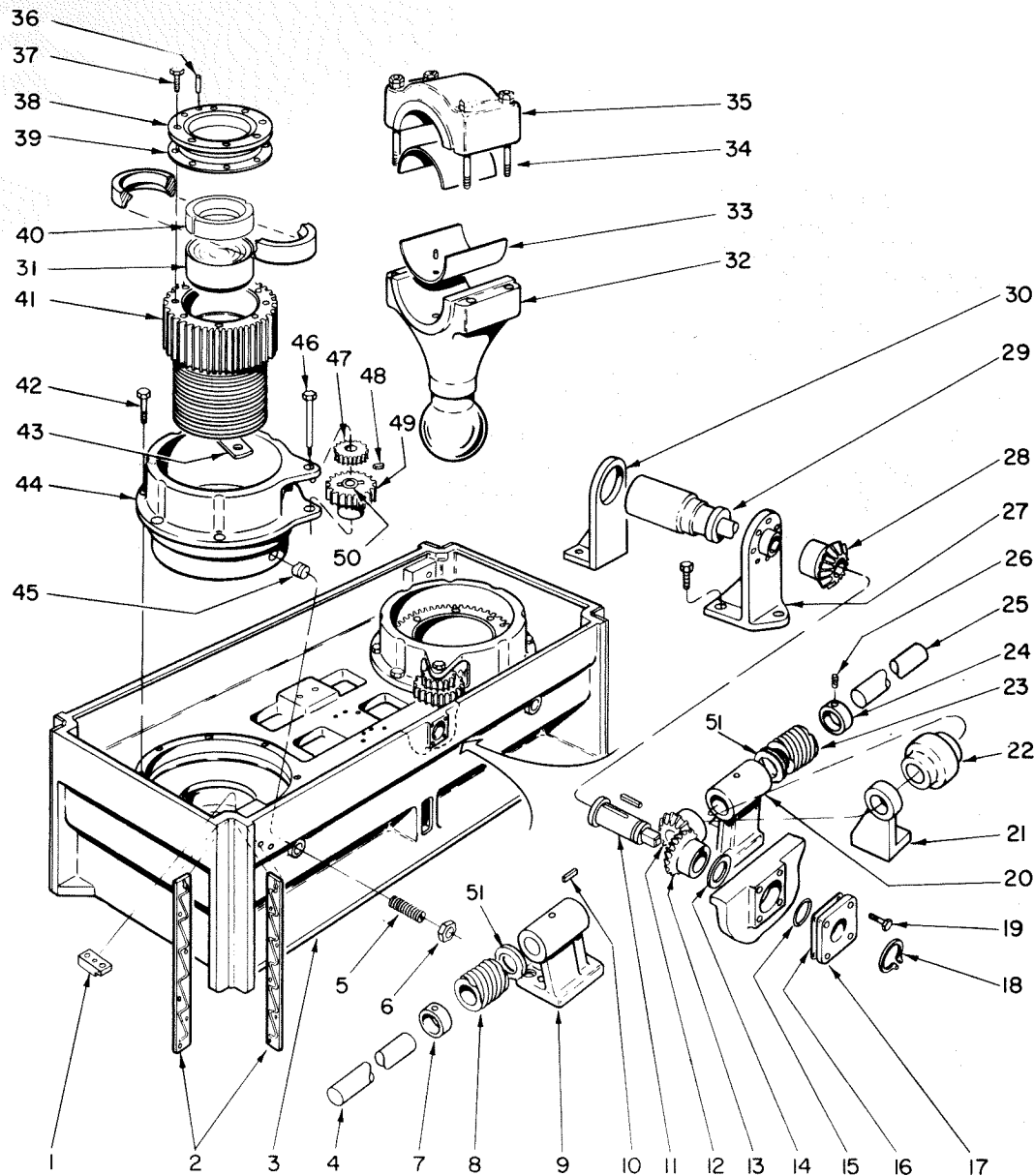
Main Assembly



PARTS LIST

- | | | | |
|-----|---|-----|---|
| 1. | Throw Block Guard | 15. | Leg |
| 2. | Throw Block Guard | 16. | Bed |
| 3. | Crown | 17. | Frame Key |
| 4. | Tie Rod Nut | 18. | Upright L.H. |
| 5. | Crankshaft | 19. | Crown Caps, L.H. & R.H. Ends |
| 6. | Upright (R.H.) | 20. | Main Bearing Bushing, L.H. & R.H. Ends |
| 7. | Flywheel | 21. | Inner End Crown Bearing Bushing, L.H. & R.H. |
| 8. | Flywheel Guard, Upper Half | 22. | Crown Center Bearing Caps |
| 9. | Flywheel Guard, Lower Half | 23. | Clutch Guard Access Door |
| 10. | Clutch Guard | 24. | Upright Oil Guard (stipulate whether R. or L. & Front or Rear.) |
| 11. | Shims | 25. | Flywheel Guard Keys |
| 12. | Gib (stipulate whether R.H. or L.H. and Front or Rear.) | 26. | Main Bearing Cap Screws |
| 13. | Shims | 27. | Frame Key |
| 14. | Tie Rod | 28. | Leg Cover |
| | | 29. | Leg Cover Door |

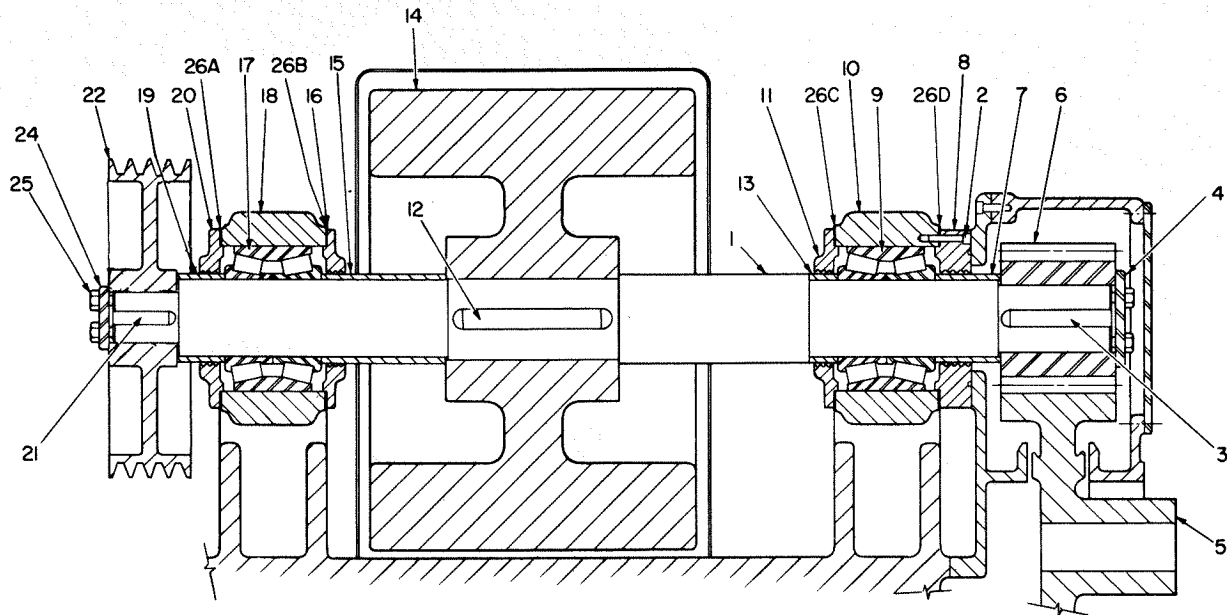
Slide and Connection Assy.



PARTS LIST

- | | | |
|----------------------------------|---------------------------------|------------------------------------|
| 1. Counterbalance Block | 18. Snap Ring | 34. Connection Cap Studs |
| 2. Wear Strips | 19. Hex Head Cap Screw | 35. Connection Cap |
| 3. Slide | 20. Worm Shaft Bracket (R.H.) | 36. Dowel |
| 4. Shaft (for L.H. Worm) | 21. Worm Shaft Support | 37. Hex Head Cap Screws |
| 5. Clamping Plug Adjusting Screw | 22. Coupling | 38. Ball Cap Retainer |
| 6. Locknut | 23. Adjusting Screw Worm (R.H.) | 39. Shims |
| 7. Steel Collar | 24. Steel Collar | 40. Ball Cap Split Bushing |
| 8. Adjusting Screw Worm (L.H.) | 25. Shaft (for R.H. Worm) | 41. Slide Adjusting Screw |
| 9. Worm Shaft Bracket (L.H.) | 26. Collar Retainer | 42. Hex Head Cap Screw |
| 10. Feather Key | 27. Air Motor Bracket (front) | 43. Adjusting Screw Retainer Bar |
| 11. Adjusting Shaft | 28. Miter Gear | 44. Slide Adjusting Sleeve |
| 12. Miter Gear | 29. Slide Adjusting Air Motor | 45. Clamping Plug |
| 13. Miter Gear | (See separate sheet) | 46. Gear Shaft Screw |
| 14. Thrust Washer | 30. Air Motor Bracket (rear) | 47. Worm Gear |
| 15. "O" Ring | 31. Connection Seat | 48. Feather Key (worm & spur gear) |
| 16. Shims | 32. Connection | 49. Spur Gear |
| 17. Retainer Plate | 33. Connection Half - Bushing | 50. Bushing for Worm & Spur Gear |
| | | 51. Thrust Washer |

Driveshaft Assembly



PARTS LIST

- | | | | |
|-----|-----------------------------------|------|-----------------------------------|
| 1. | Driveshaft | 16. | Collar |
| 2. | Allen Head Capscrew | 17. | Driveshaft Bearing |
| 3. | Key (pinion) | 18. | Driveshaft Bearing Bracket (L.H.) |
| 4. | Driveshaft End Cap | 19. | Bearing Spacer |
| 5. | Main Gear | 20. | Collar |
| 6. | Main Pinion | 21. | Key (Drive Sheave) |
| 7. | Bearing Spacer | 22. | Driveshaft Sheave |
| 8. | Collar | 24. | Driveshaft End Cap |
| 9. | Driveshaft Bearing | 25. | End Cap Bolts |
| 10. | Driveshaft Bearing Bracket (R.H.) | 26A. | Shims |
| 11. | Collar | 26B. | Shims |
| 12. | Key (Flywheel) | 26C. | Shims |
| 13. | Bearing Spacer | 26D. | Shims |
| 14. | Flywheel | | |
| 15. | Bearing Spacer | | |