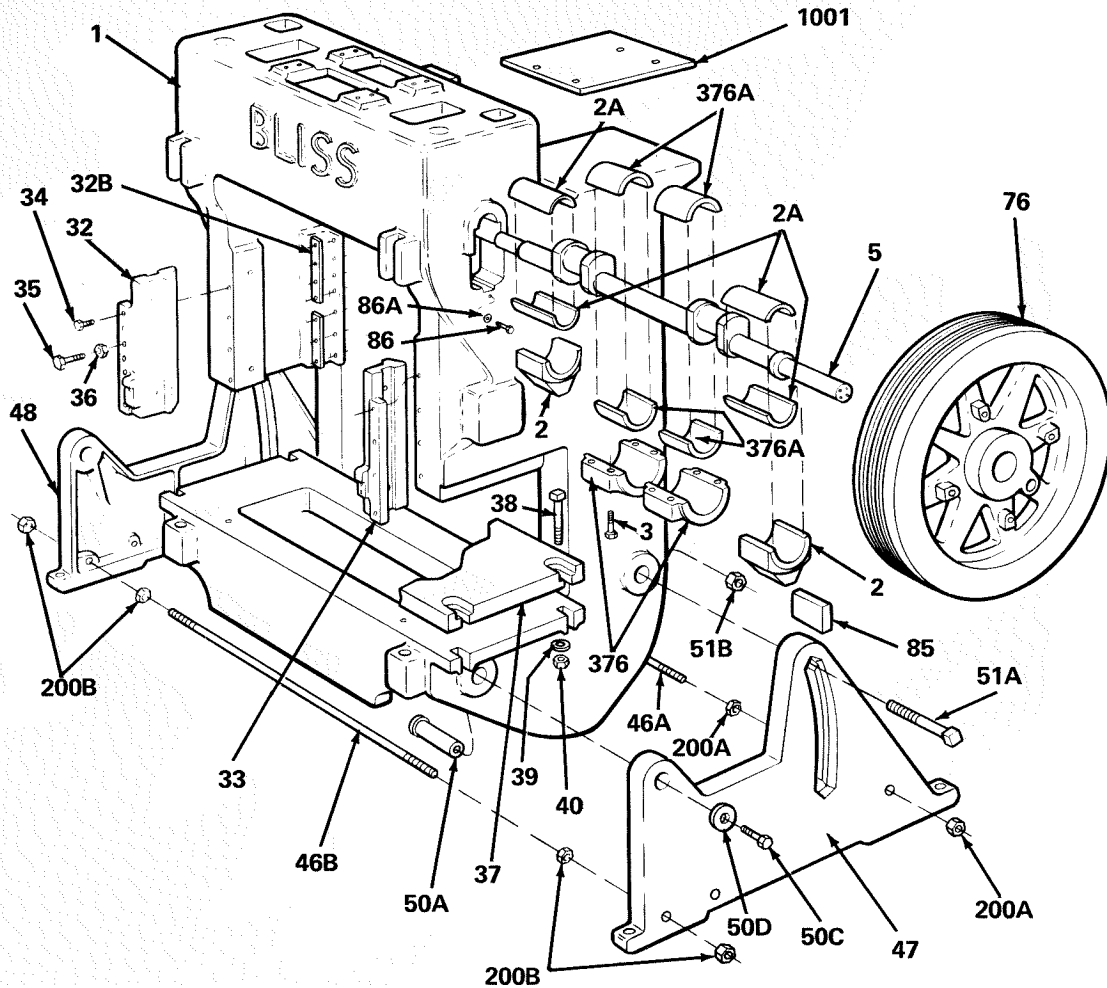


PARTS LIST

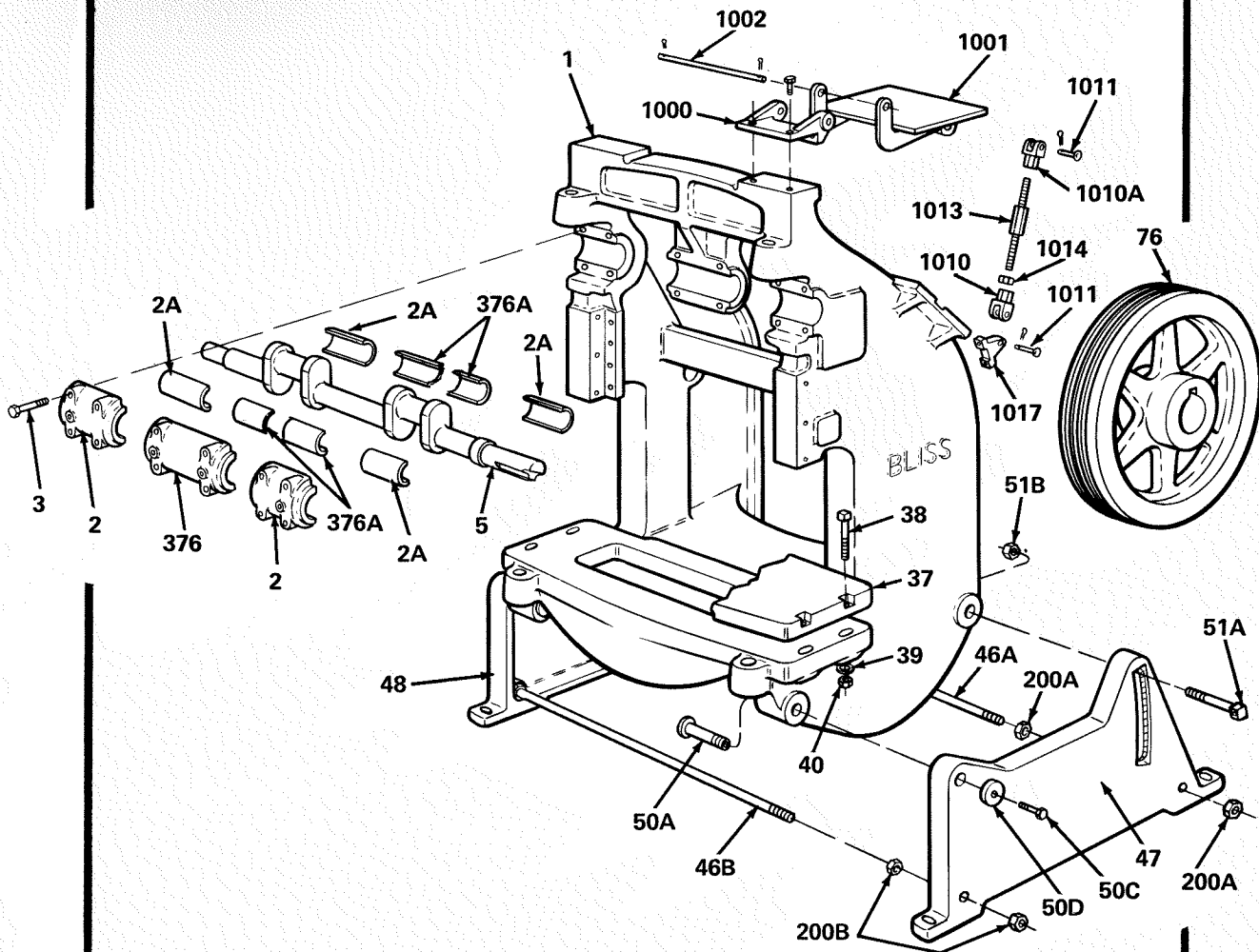
(106 thru 112)



- | | | | |
|-----|-----------------------------|------|----------------------------------|
| 1 | Frame | 46B | Front Leg Tie Rod |
| 2 | Body Cap - Right, Left | 47 | Right Hand Leg |
| 2A | Main Bearing Half Bushing | 48 | Left Hand Leg |
| 3 | Body Cap Bolts | 50A | Front Leg Bolt |
| 5 | Crankshaft | 50C | Front Leg Bolt Screw |
| 32 | Left Hand Gib | 50D | Front Leg Bolt Washer |
| 32B | L. H. Wear Strip | 51A | Rear Leg Bolt |
| 33 | Right Hand Gib | 51B | Rear Leg Bolt Nut |
| 33B | R.H. Wear Strip(not shown) | 76 | Flywheel |
| 34 | Main Gib Screw | 85 | Main Bearing Wedge |
| 35 | Main Gib Adj. Set Screw | 86 | Main Bearing Wedge Bolt |
| 36 | Main Gib Adj. Set Screw nut | 86A | Main Bearing Wedge Bolt Washer |
| 37 | Bolster | 200A | Rear Leg Tie Rod Nut |
| 38 | Bolster Bolt | 200B | Front Leg Tie Rod Nut |
| 39 | Bolster Bolt Washer | 376 | Center Main Bearing Cap |
| 40 | Bolster Bolt Nut | 376A | Center Main Bearing Half Bushing |
| 46A | Rear Leg Tie Rod | 1001 | Motor Plate |

PARTS LIST

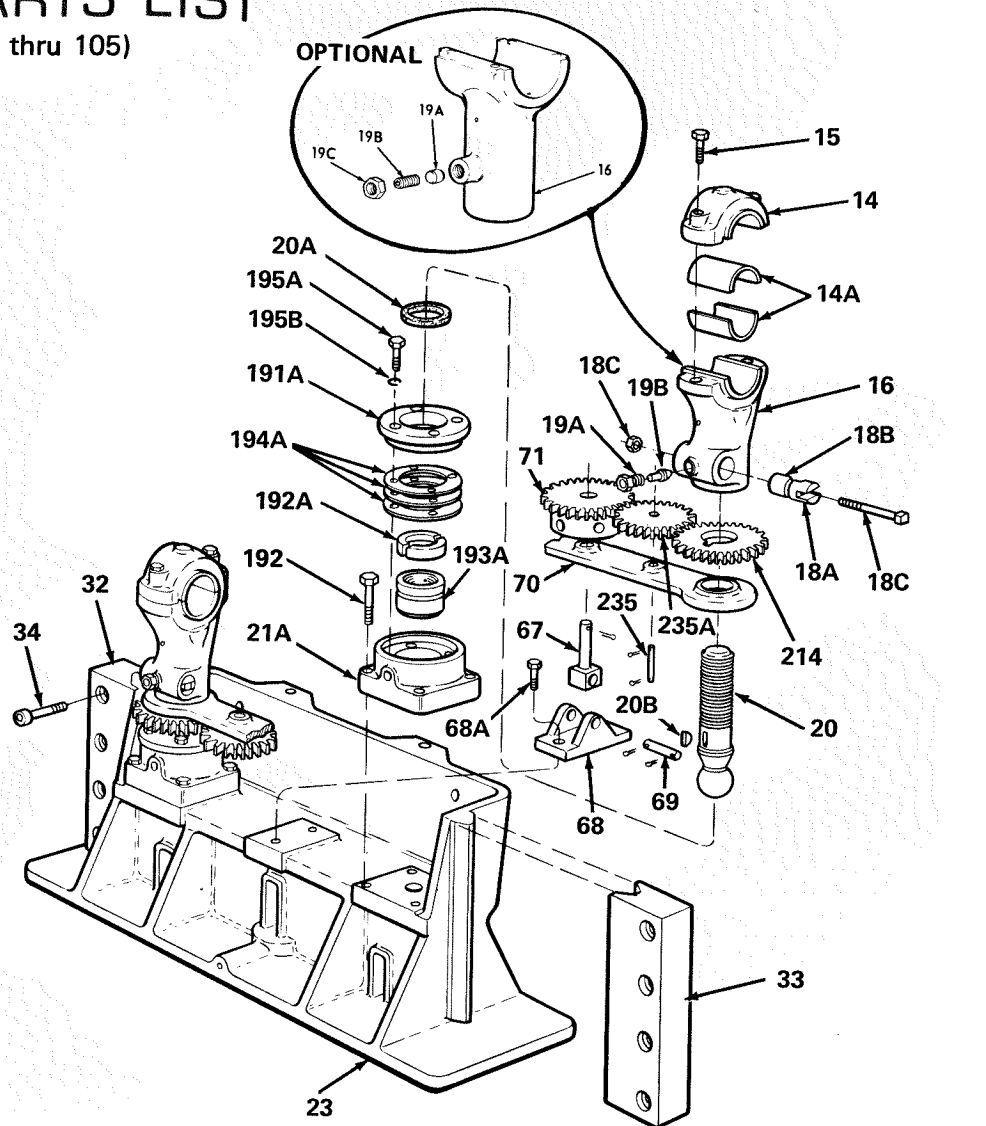
(102 thru 105)



- | | | | |
|-----|---------------------------|-------|-----------------------------|
| 1 | Frame | 51A | Rear Leg Bolt |
| 2 | Body Cap - Right, Left | 51B | Rear Leg Bolt Nut |
| 2A | Main Bearing Half Bushing | 76 | Flywheel |
| 3 | Body Cap Bolts | 200A | Rear Leg Tie Rod Nut |
| 5 | Crankshaft | 200B | Front Leg Tie Rod Nut |
| 37 | Bolster | 376 | Center Bearing Cap |
| 38 | Bolster Bolt | 376A | Center Bearing Half Bushing |
| 39 | Bolster Bolt Washer | 1000 | Motor Plate Lug |
| 40 | Bolster Bolt Nut | 1001 | Motor Plate |
| 46A | Rear Leg Tie Rod | 1002 | Motor Plate Pivot Shaft |
| 46B | Front Leg Tie Rod | 1010 | Yoke R.H. Thread |
| 47 | Right Hand Leg | 1010A | Yoke L.H. Thread |
| 48 | Left Hand Leg | 1011 | Yoke Pin |
| 50A | Front Leg Bolt | 1013 | Adjusting Screw |
| 50C | Front Leg Bolt Screw | 1014 | Adjusting Screw Nut |
| 50D | Front Leg Bolt Washer | | |

PARTS LIST

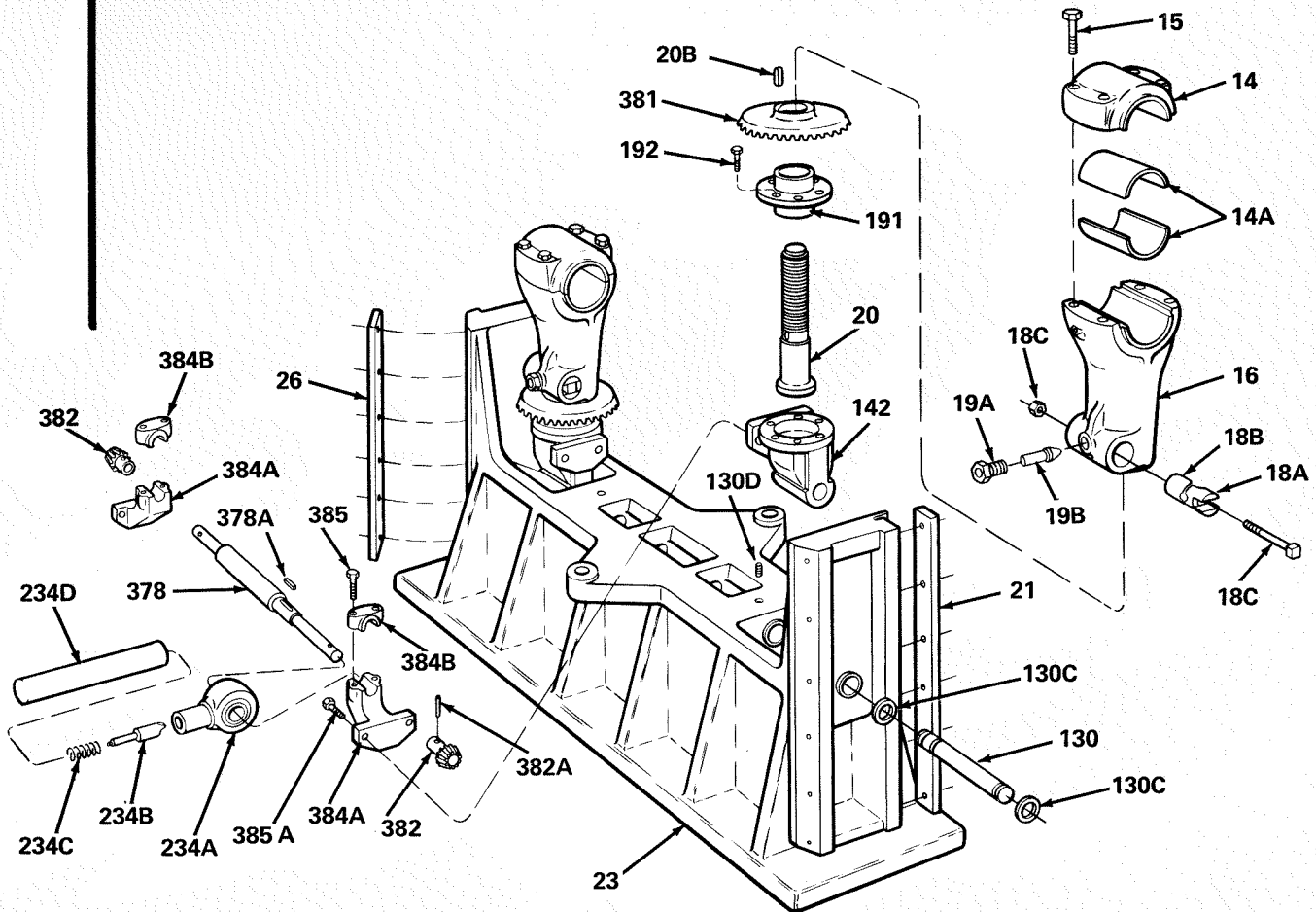
(102 thru 105)



- | | | | |
|-----|------------------------------------|------|---------------------------|
| 14 | Connecting Cap | 34 | Main Gib Screw |
| 14A | Conn. Half Bushings | 67 | Fulcrum Stud |
| 15 | Conn. Cap Bolt | 68 | Fulcrum |
| 16 | Conn. Strap | 68A | Fulcrum Bolt |
| 18A | Conn. Screw Clamping Plug Head End | 69 | Fulcrum Pin |
| 18B | Conn. Screw Clamping Plug Nut End | 70 | Gear Link |
| 18C | Clamping Plug Bolt & Nut | 71 | Adjusting Pinion |
| 19A | Conn. Plug Cap Screw | 192A | Ball Cap Bushing |
| 19B | Conn. Plug Spreader | 193A | Ball Seat Bushing |
| 20 | Conn. Screw | 194A | Shims |
| 20A | Felt Washer | 195A | Ball Cap Screw |
| 20B | Conn. Screw Gear Key | 195B | Ball Cap Screw Lockwasher |
| 21A | Ball Seat | 214 | Sleeve Gear |
| 23 | Slide | 235 | Gear Stud |
| 32 | Left Hand Gib | 235A | Idler Gear |
| 33 | Right Hand Gib | | |

PARTS LIST

(106 thru 112)



- 14 Connecting Cap
- 14A Conn. Half Bushing
- 15 Conn. Cap Bolt
- 16 Conn. Strap
- 18A Conn. Screw Clamping Plug Head End
- 18B Conn. Screw Clamping Plug Nut End
- 18C Clamping Plug Bolt and Nut
- 19A Conn. Plug Cap Screw
- 19B Conn. Plug Spreader
- 20 Conn. Screw
- 20B Conn. Screw Gear Key
- 21 Slide Liner - Rear
- 23 Slide
- 26 Slide Liner - Front
- 130 Conn. Wrist Pin
- 130C Conn. Wrist Pin Oil Seals
- 130D Conn. Wrist Pin Set Screw

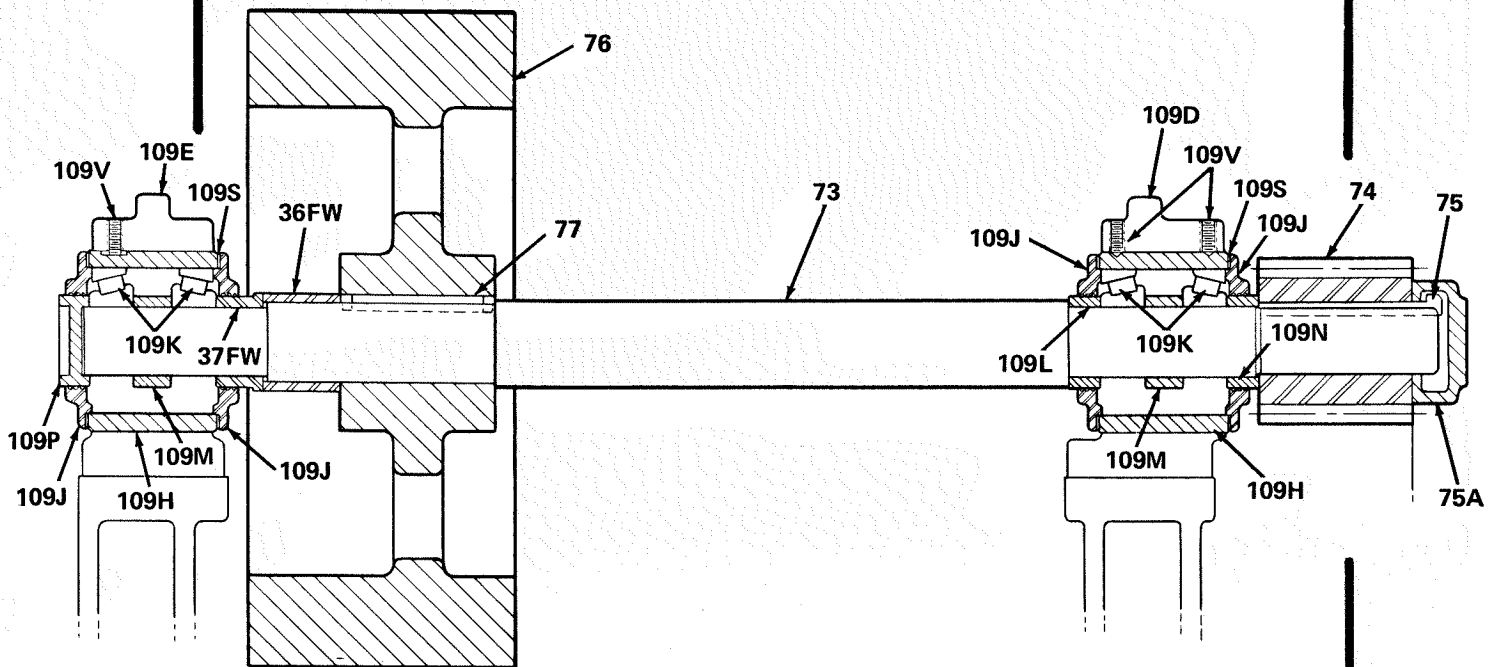
- 142 Conn. Wrist
- 191 Conn. Screw & Wrist Retaining Bushing
- 192 Retaining Bush. Cap Screw
- 234A Ratchet Wrench Housing
- 234B Ratchet Wrench Plunger
- 234C Ratchet Wrench Plunger Spring
- 234D Ratchet Wrench Handle
- 378 Pinion Shaft
- 378A Pinion Shaft Key
- 381 Bevel Gear
- 382 Bevel Gear Pinion
- 382A Bevel Gear Pinion - Locking Pin
- 384A Pinion & Shaft Bracket
- 384B Bracket Cap
- 385 Bracket Cap Bolt
- 385A Bracket Bolt

PARTS LIST

(106 thru 112)

Roller Bearings are lubricated when press is shipped and will require additional grease approximately every three months. One shot or one stroke of grease gun is sufficient.

Refer to the attached Bliss recommended lube specifications for Type H Grease for correct lubricant.



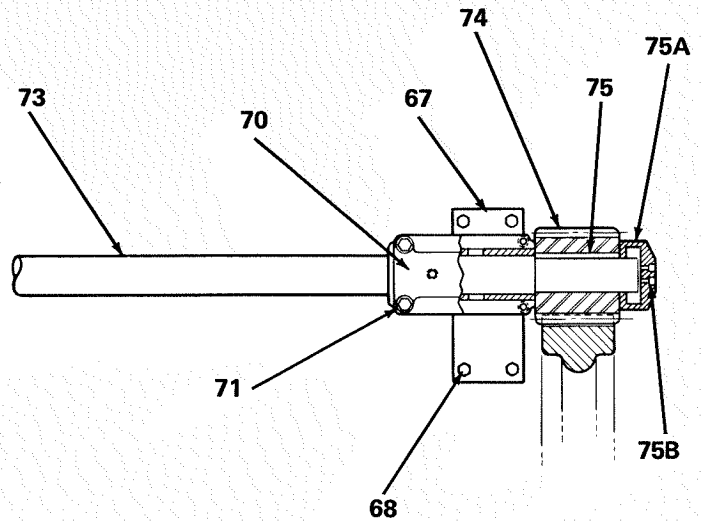
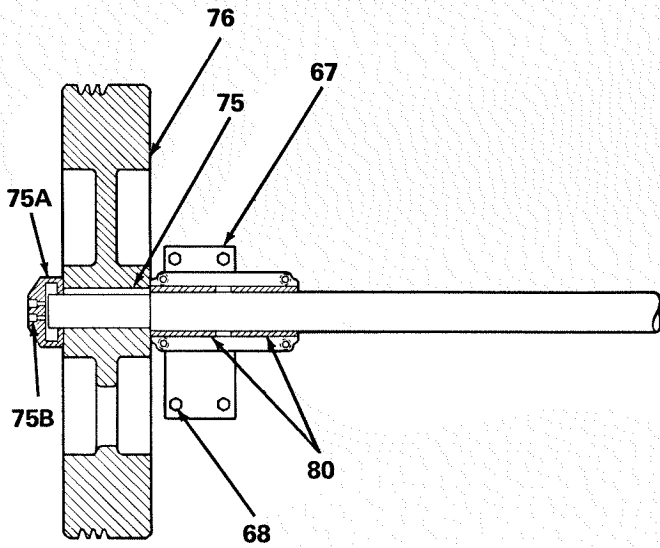
Roller Bearings are lubricated when press is shipped and will require additional grease approximately every three months. One shot or one stroke of grease gun is sufficient.

Refer to the attached Bliss recommended lube specifications for Type H Grease for correct lubricant.

| | |
|-------------|---|
| 36FW | Inner Flywheel Spacer |
| 37FW | Outer Flywheel Spacer |
| 73 | Driveshaft |
| 74 | Main Pinion |
| 75 | Main Pinion Key |
| 75A | Shaft End Cover |
| 76 | Flywheel |
| 77 | Flywheel Key |
| 109D | Main Driveshaft Bracket - Fixed |
| 109E | Main Driveshaft Bracket - Floating |
| 109H | Driveshaft Bearing Sleeve - Fixed - Floating |
| 109J | Driveshaft Bearing Collar |
| 109K | Driveshaft Bearing |
| 109L | Driveshaft Bearing Spacer - Inner |
| 109M | Driveshaft Bearing Spacer - Middle |
| 109N | Driveshaft Bearing Spacer - Outer |
| 109P | Driveshaft Bearing End Plate |
| 109S | Driveshaft Bearing Collar Shims |
| 109V | Driveshaft Bearing Sleeve Screw |

PARTS LIST

(102 thru 105)



BACKSHAFT ON GEARED PRESS

- 67 Backshaft Bearing
- 68 Backshaft Bearing Cap Screws
- 70 Backshaft Bearing Cap
- 71 Backshaft Bearing Cap Screws
- 73 Backshaft
- 74 Pinion
- 75 Pinion and Flywheel Key
- 75A Backshaft End Collar
- 75B End Collar Screws
- 76 Flywheel
- 80 Backshaft Bronze Bushings