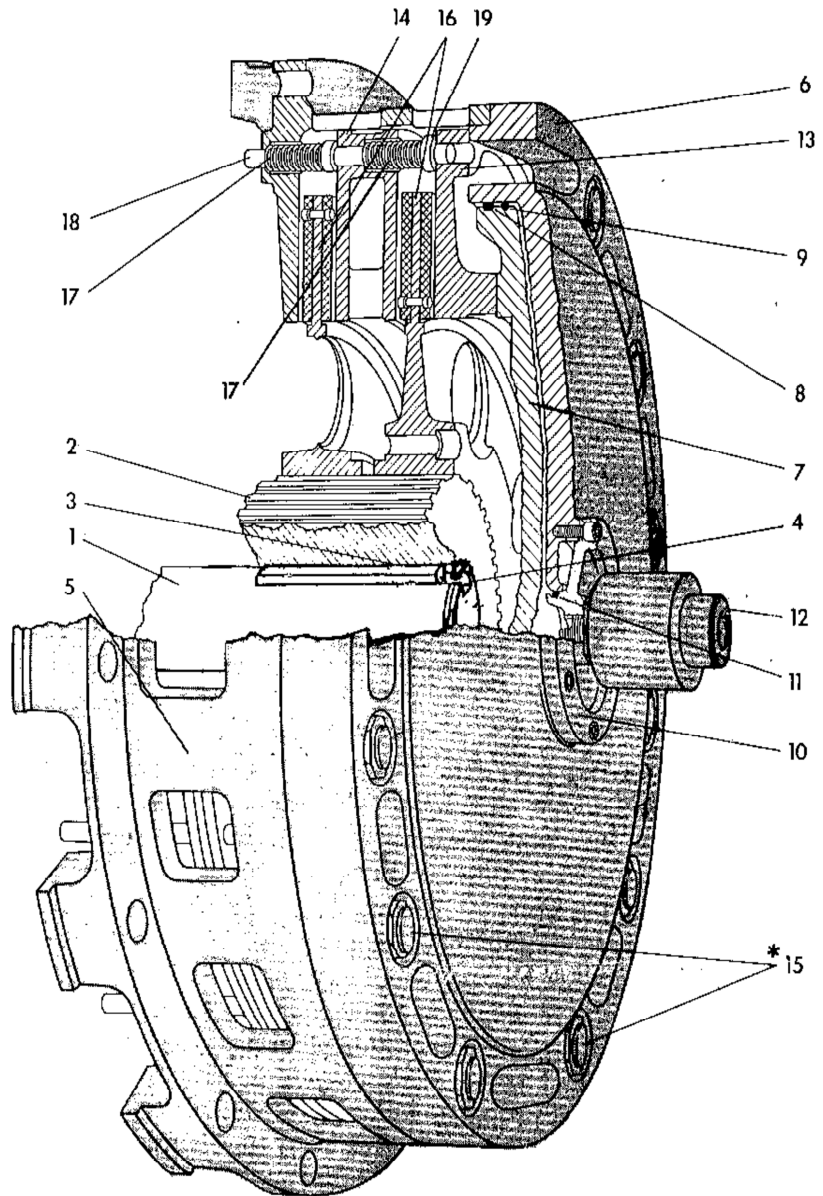


1. Drive Shaft
2. Driving Hub
3. Key
4. Retainer Ring
5. Clutch Housing
6. Clutch Cylinder
7. Clutch Piston
8. Piston Wiper
9. Piston "O" Ring
10. Rotary Air Seal Adapter
11. Adapter "O" Ring
12. Rotary Air Seal
13. Pressure Plate
14. Inner Pressure Plate
15. Pressure Plate Guides & Nut
16. Friction Disc
17. Spreader Spring
18. Spring Guide
19. Guide Collar

*Refer to Table for recommended torque value.

TORQUE VALUES BY FRICTION DISC DIAMETER

8"	25-30 ft/lbs
10"	30-35 ft/lbs
11"	35-40 ft/lbs
13"	45-50 ft/lbs
17"	70-80 ft/lbs
18"	70-80 ft/lbs
21"	90-100 ft/lbs
25"	110-120 ft/lbs
30"	190-200 ft/lbs
35"	220-230 ft/lbs



NOTE:

When reassembling clutch, prior to installing friction discs (part #16) lightly brush on OGG-H grease available from Dubois Chemical or an equivalent grease on the driving hub (part #2).