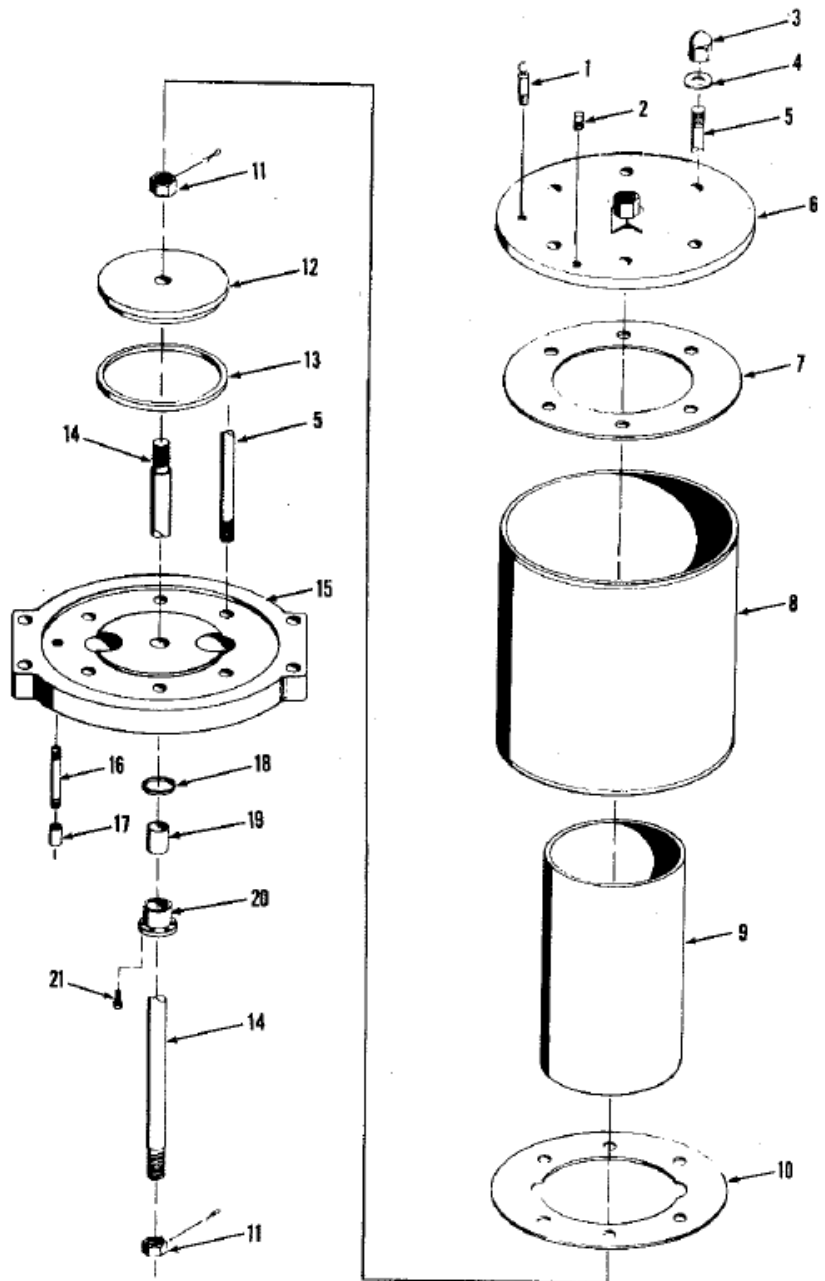


# NIAGARA STRAIGHT SIDE PRESSES

FORM A-6-B-1

AIR COUNTERBALANCE, SELF-CONTAINED

1. Safety Valve
2. Fusible Plug
3. Acorn Nut
4. Seal Washer
5. Tie Rod
6. Cylinder Cover
7. Upper Gasket
8. Counterbalance Outer Cylinder
9. Counterbalance Cylinder
10. Lower Gasket
11. Counterbalance Rod Nut
12. Piston
13. "U" Packing
14. Counterbalance Rod
15. Lower Cylinder Cap
16. Pipe Nipple
17. Pipe Coupling
18. "U" Packing
19. Bushing
20. Bushing Retainer
21. Bushing Retainer Screw



3/75