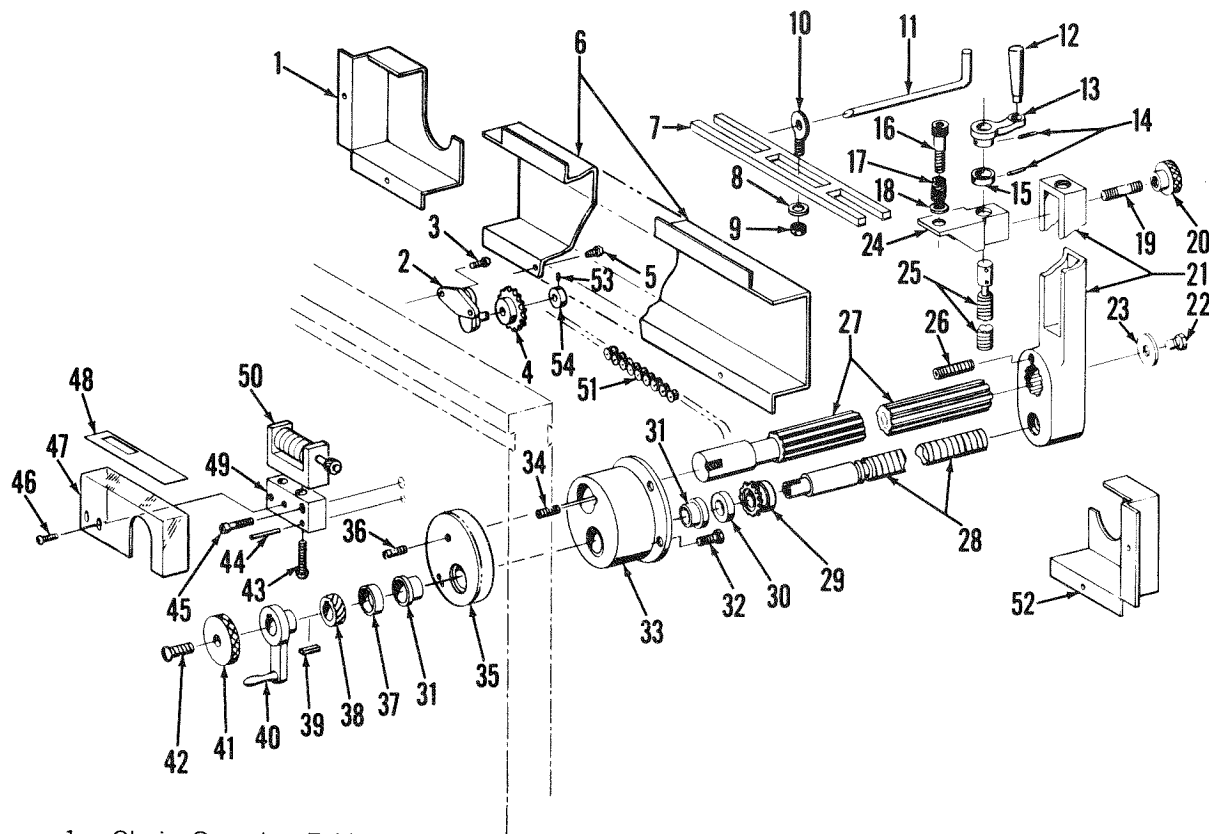


INSTRUCTIONS



- | | |
|-----------------------------|--|
| 1. Chain Guard — R.H. | 27. Guide Rod |
| 2. Tightener | 28. Adjusting Screw |
| 3. Tightener Mounting Screw | 29. Sprocket with Taper Lock Bushing |
| 4. Sprocket Idler | 30. Collar |
| 5. Guard Mounting Screw | 31. Bushing |
| 6. Chain Guard — Center | 32. Hex Head Capscrew |
| 7. Finger Rest | 33. Cartridge |
| 8. Washer | 34. Set Screw |
| 9. Hex Nut | 35. Front Cartridge (When Used) |
| 10. Finger Bolt | 36. Set Screw — Spacer (When Used) |
| 11. Finger | 37. Spacer |
| 12. Handle | 38. Helical Gear |
| 13. Hand Crank | 39. Key |
| 14. Roll Pin | 40. Crank Handle |
| 15. Collar | 41. Hand Knob |
| 16. Shoulder Screw | 42. Screw |
| 17. Spring | 43. Round Head Screw |
| 18. Bevel Washer | 44. Roll Pin |
| 19. Stud | 45. Socket Head Capscrew |
| 20. Knurled Knob | 46. Button Head Screw |
| 21. Uprights | 47. Cover |
| 22. Hex Head Capscrew | 48. Adjusting Plate |
| 23. Finished Washer | 49. Counter Bracket |
| 24. Support Arm | 50. Counter Assembly with Helical Gear |
| 25. Upright Adjusting Screw | 51. Chain |
| 26. Set Screw | 52. Chain Guard — L.H. |