

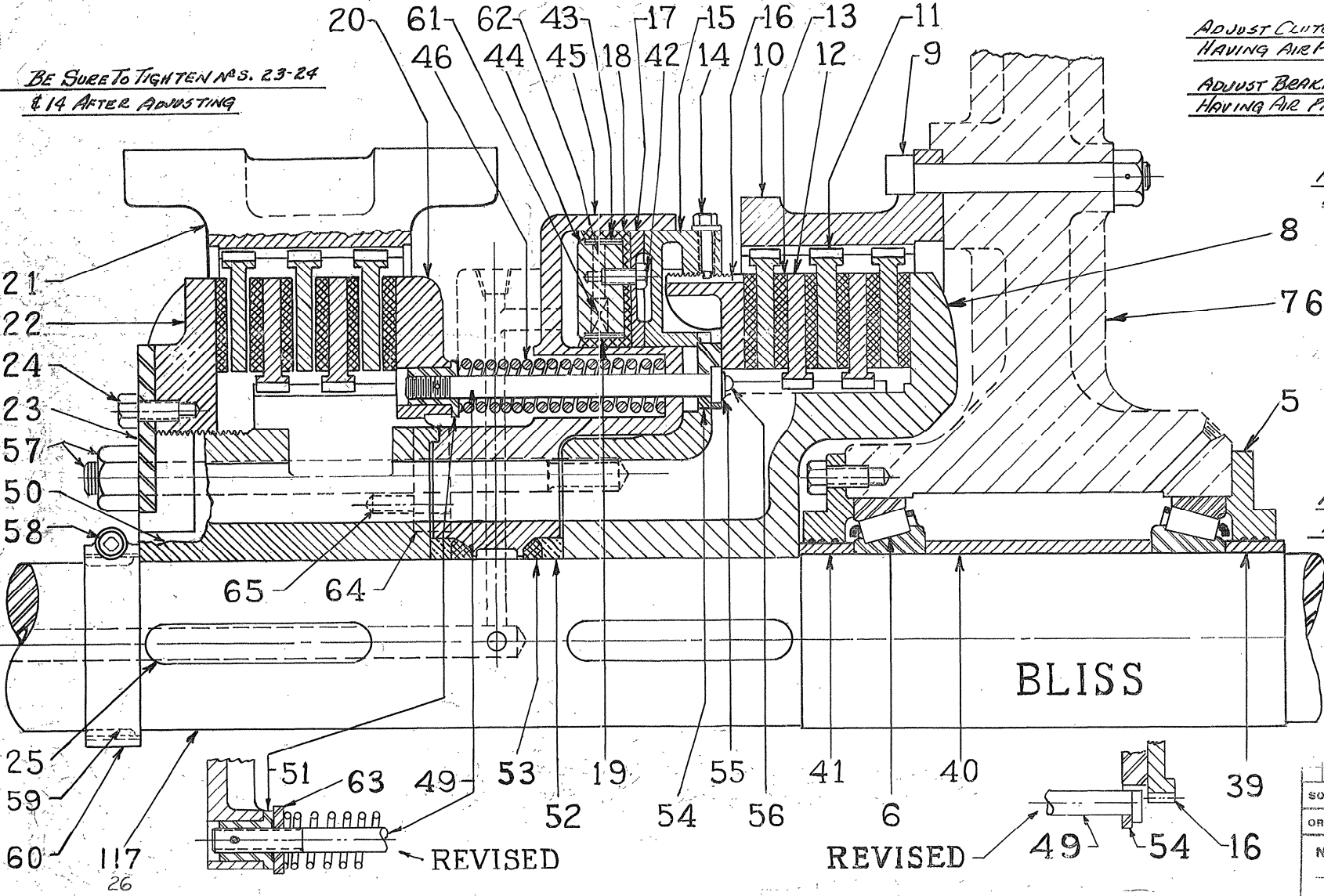
QTY	QTY	QTY	QTY	QTY	QTY	QTY	QTY
5	2	1	1	1	1	2	6
6	2	1	1	1	1	2	1
7	1	1	1	1	1	1	1
8	1	1	1	1	12	12	
9	6	1	1	1	1	1	
10	1	1	1	1	1	1	
11	6	1	1	1	1	1	
12	4	1	1	1	6	1	
13	12	1	1	1	1	1	
14	3	1	1	1	1	12	
15	1	1	1	1	6	12	

BE SURE TO TIGHTEN NOS. 23-24 & 14 AFTER ADJUSTING

ADJUST CLUTCH DISCS WHEN REQUIRED HAVING AIR PRESSURE OFF
ADJUST BRAKE DISCS WHEN REQUIRED HAVING AIR PRESSURE ON.

ALWAYS GIVE PRESS. NO. AND SERIAL NO.

NOTE:- ALWAYS PREFIX ALL PART NUMBERS WITH 46-A-270



NO.	CHANGED FROM	BY	DATE	APP. BY	ORDER NO.

886

46

SOLD TO: [REDACTED]

ORDER NO. **46-A-270**

No. **TRIPLE DISC AIR FRICTION CL. ASSEMBLY TYPE "H"**

THE TOLEDO MACHINE & TOOL DIV. OF E. W. BLISS CO. TOLEDO, OHIO.

BY: [REDACTED] DATE: 4-5-35

SCALE: 3/8" = 1" PATT. SYM.

THIS DWG SUPERSEDES 46-A-238 SEE 5-AO-92 FOR REPAIRS
FOR NEW NAMES & PARTS LIST OF 46-A-270 SEE I-CAT-357 2-9-49

OCT 19 2017
 CONFIDENTIAL & PROPRIETARY INFORMATION. This drawing and the information it contains are the property of E.W. Bliss Company, Inc. (E.W. Bliss) and are being provided upon the understanding and agreement between E.W. Bliss and recipient that recipient will use them only for the purposes specified and approved by E.W. Bliss and will not use them for any other purposes, that recipient will not disclose them to any person, in any form or by any means, without the prior written consent of E.W. Bliss. E.W. Bliss reserves the right to modify, alter, change, amend, or otherwise change this drawing without notice to recipient. Recipient's acceptance of delivery of this drawing constitutes acceptance of these terms.