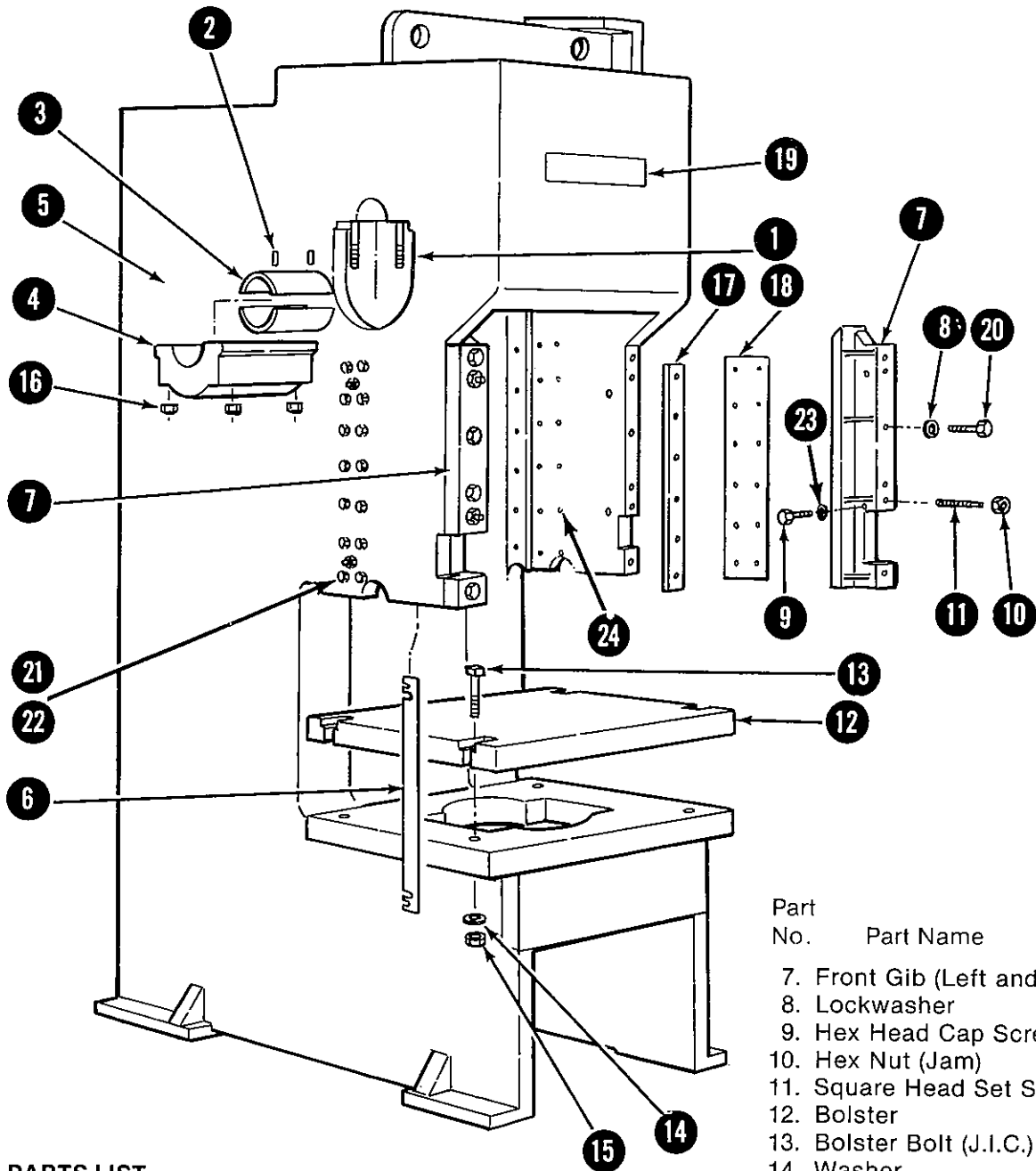


FRAME ASSEMBLY



PARTS LIST

| Part No. | Part Name |
|----------|---------------------|
| 1. | Main Bearing Stud |
| 2. | Brass Dowel |
| 3. | Half Bushing (Main) |
| 4. | Main Bearing Cap |
| 5. | Frame |
| 6. | Shim Laminated |

FIGURE 59

| Part No. | Part Name |
|----------|----------------------------------|
| 7. | Front Gib (Left and Right) |
| 8. | Lockwasher |
| 9. | Hex Head Cap Screw |
| 10. | Hex Nut (Jam) |
| 11. | Square Head Set Screw |
| 12. | Bolster |
| 13. | Bolster Bolt (J.I.C.) |
| 14. | Washer |
| 15. | Hex Nut |
| 16. | Hex Nut |
| 17. | Rear Wear Strip (Left & Right) |
| 18. | Wear Strip (Side) (Left & Right) |
| 19. | Nameplate |
| 20. | Hex Head Cap Screw |
| 21. | Hex Head Cap Screw |
| 22. | Lockwasher |
| 23. | Washer |
| 24. | Socket Head Cap Screws |

CONNECTION ASSEMBLY

PARTS LIST

| Part No. | Part Name |
|----------|------------------------------|
| 1. | Connection Cap Stud Nut |
| 2. | Connection Cap |
| 3. | Connection Cap Stud |
| 4. | Wrist Pin Bushing |
| 5. | Connection Strap |
| 6. | Connection Half Bushing |
| 7. | Connection Cap Bushing Dowel |
| 8. | Grub Screw |

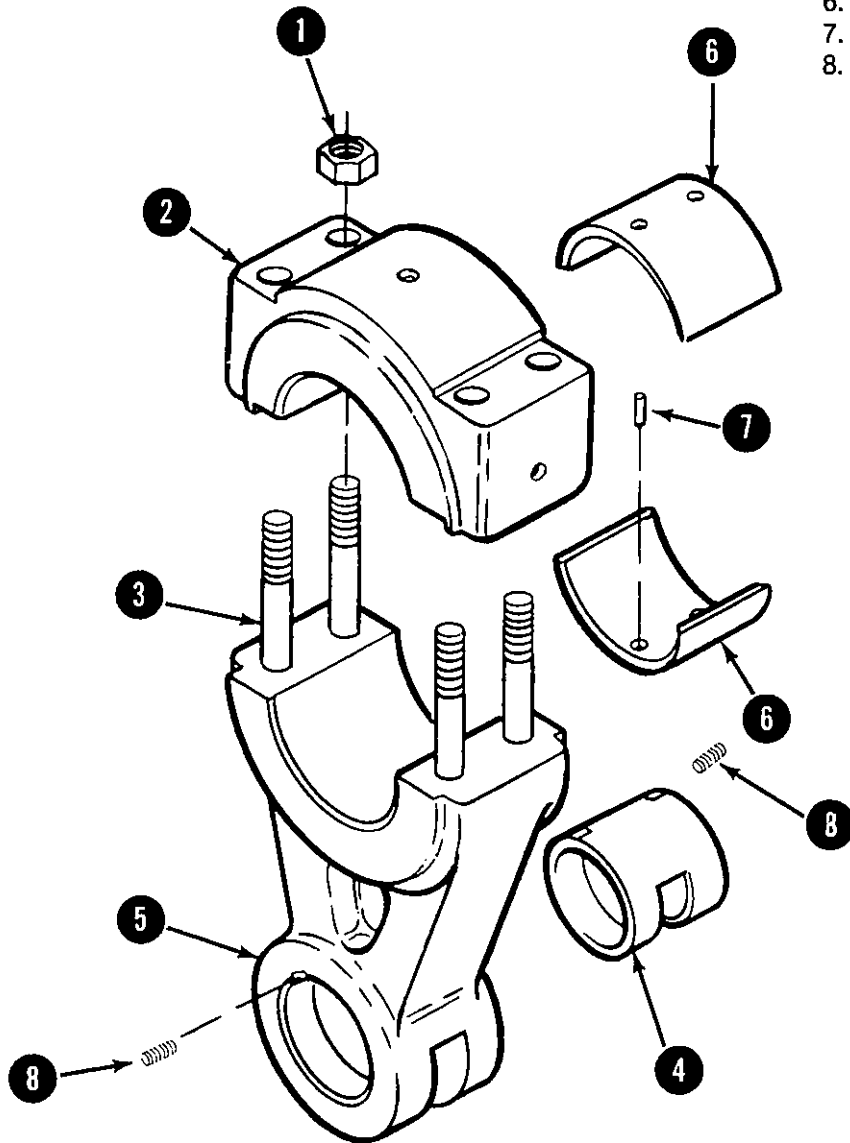


FIGURE 62