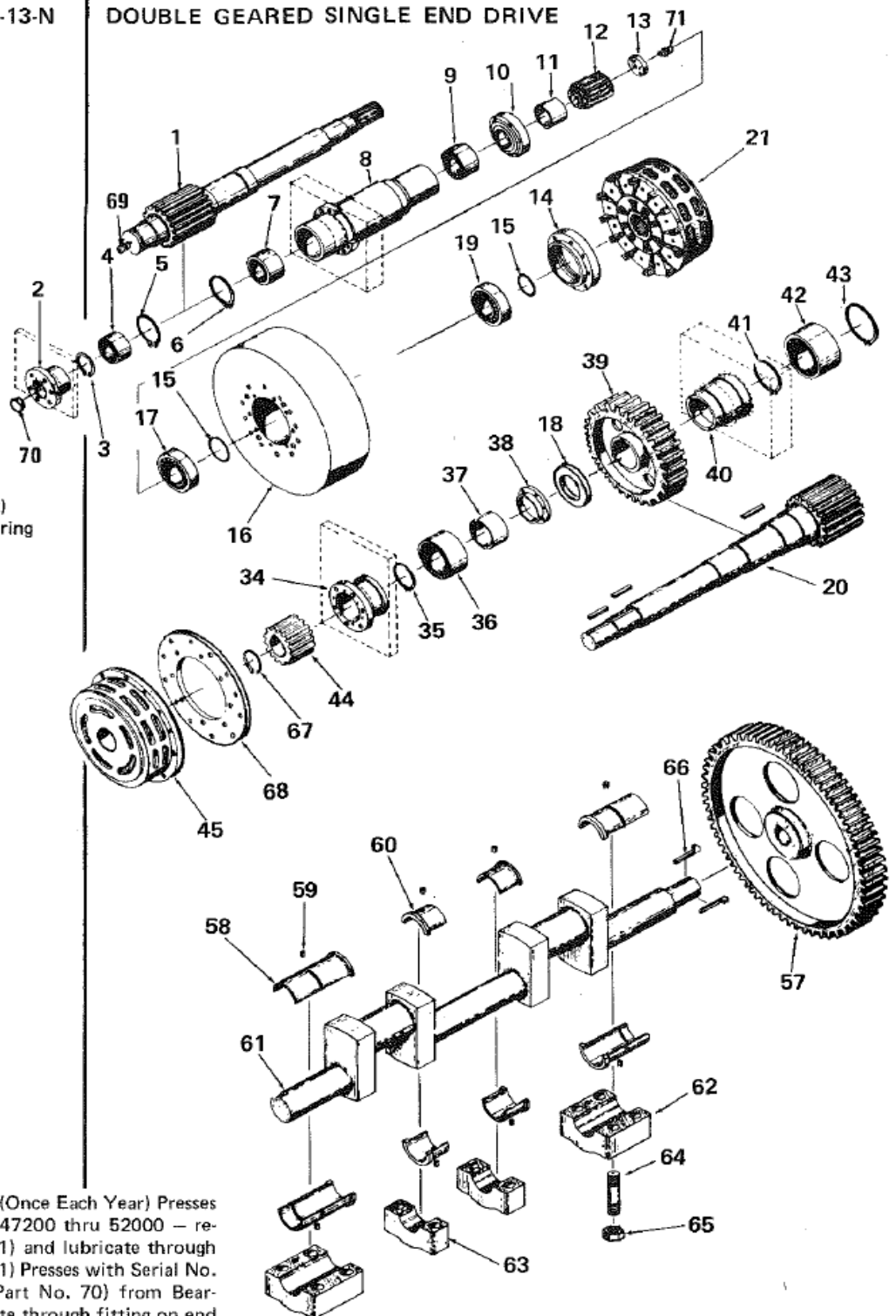


# NIAGARA STRAIGHT SIDE PRESSES

FORM A-13-N

DOUBLE GEARED SINGLE END DRIVE

1. Drive Shaft
2. Drive Shaft Bearing Bracket
3. Retainer Ring
4. Roller Bearing
5. Retainer Ring
6. Retainer Ring
7. Roller Bearing
8. R.H. Bearing Housing
9. Locating Bearing
10. Drive Shaft Bearing Retainer
11. Spacer
12. Clutch Hub
13. Retaining Washer
14. Flywheel Bearing Retainer
15. 'O' Ring
16. Flywheel
17. Inboard Flywheel Bearing
18. Lock Ring
19. Outboard Flywheel Bearing
20. R.H. Intermediate Shaft
21. Clutch (See Clutch Parts List)
34. L.H. Intermediate Shaft Bearing Cartridge
35. Retainer Ring
36. Locating Bearing
37. Spacer
38. Intermediate Shaft Bearing Retainer
39. Intermediate Gear
40. R.H. Intermediate Shaft Bearing Cartridge
41. Retainer Ring
42. Roller Bearing
43. Retainer Ring
44. Brake Hub
45. Brake (See Brake Parts List)
57. Main Gear
58. Outer Crankshaft Bushing
59. Bushing Dowel
60. Inner Crankshaft Bushing
61. Crankshaft
62. Outer Bearing Cap
63. Inner Bearing Cap
64. Bearing Cap Stud
65. Nut
66. Main Gear Key
67. Retaining Ring
68. Brake Ring
69. Grease Fitting (When Used)
70. Plug (When Used)
71. Grease Fitting (When Used)



NOTE: Flywheel Bearing Lubrication (Once Each Year) Presses with clutch or driveshaft Serial Nos. 47200 thru 52000 - remove cover from clutch (Part No. 21) and lubricate through fitting on end of driveshaft (part No. 71) Presses with Serial No. 52000 and above - remove plug (Part No. 70) from Bearing Cartridge (Part No. 2) and lubricate through fitting on end of driveshaft. (Part No. 69) Use Chevron SR1 No. 2 grease. Reassemble parts that have been removed before operating press.

861