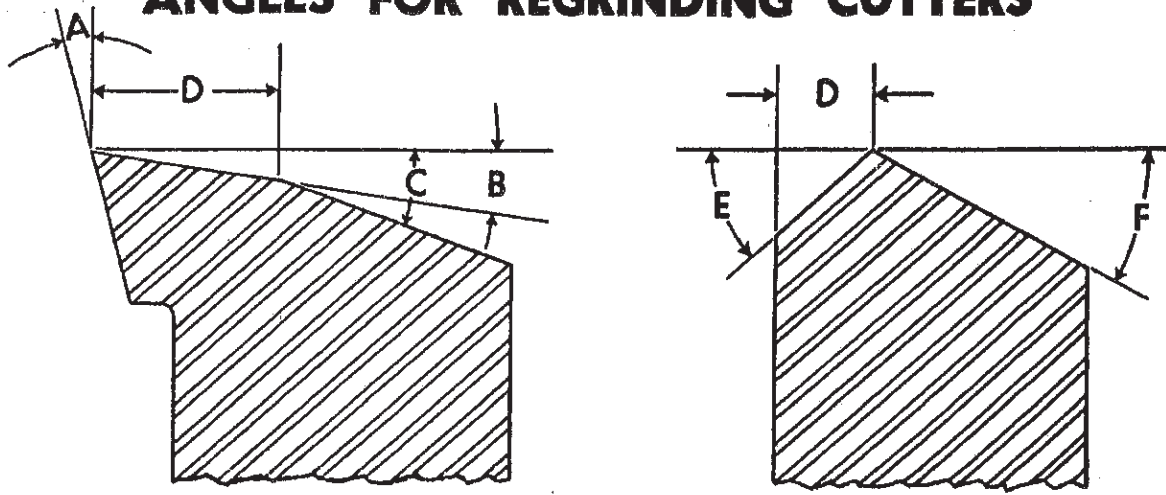
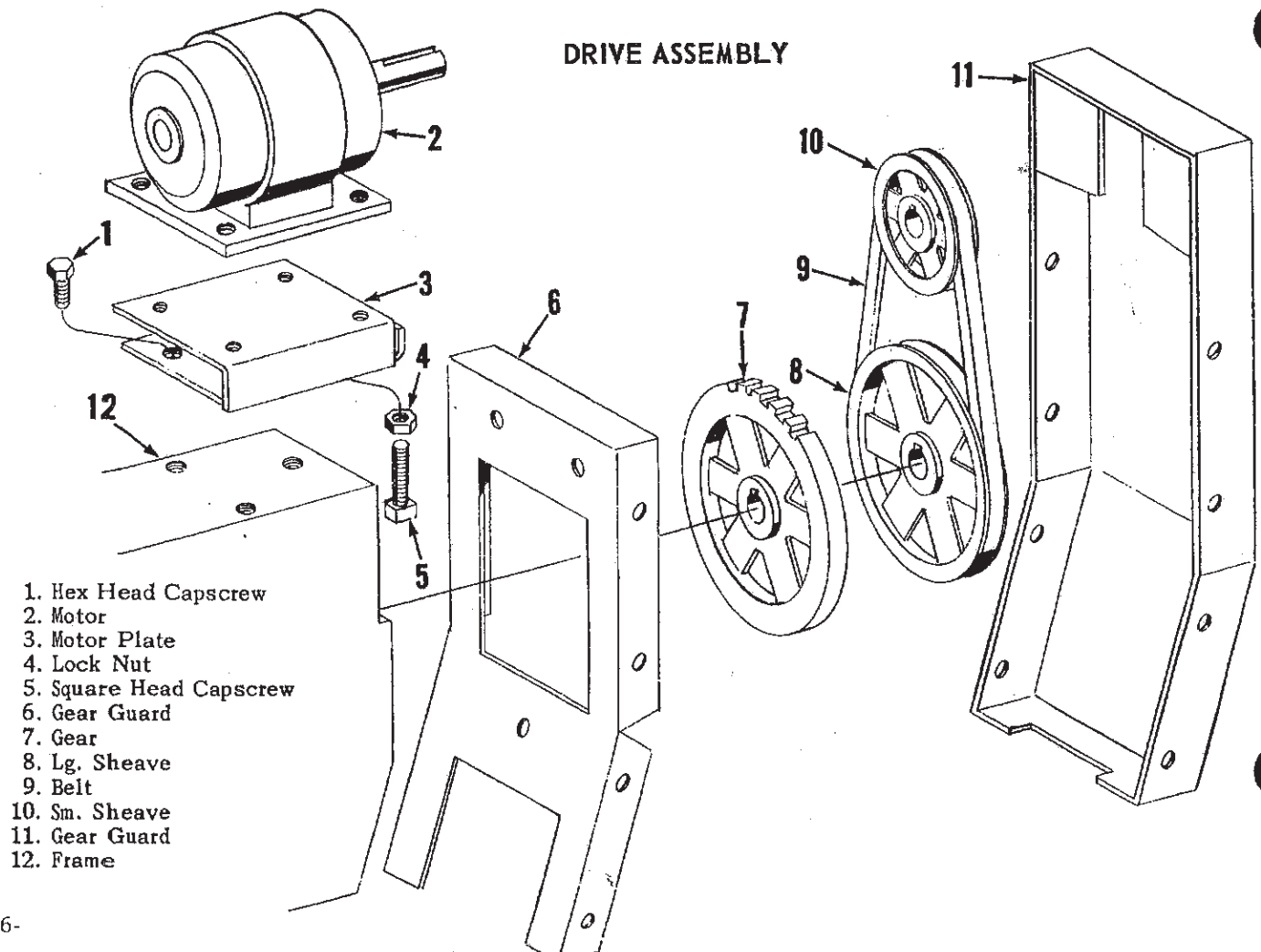


# ANGLES FOR REGRINDING CUTTERS



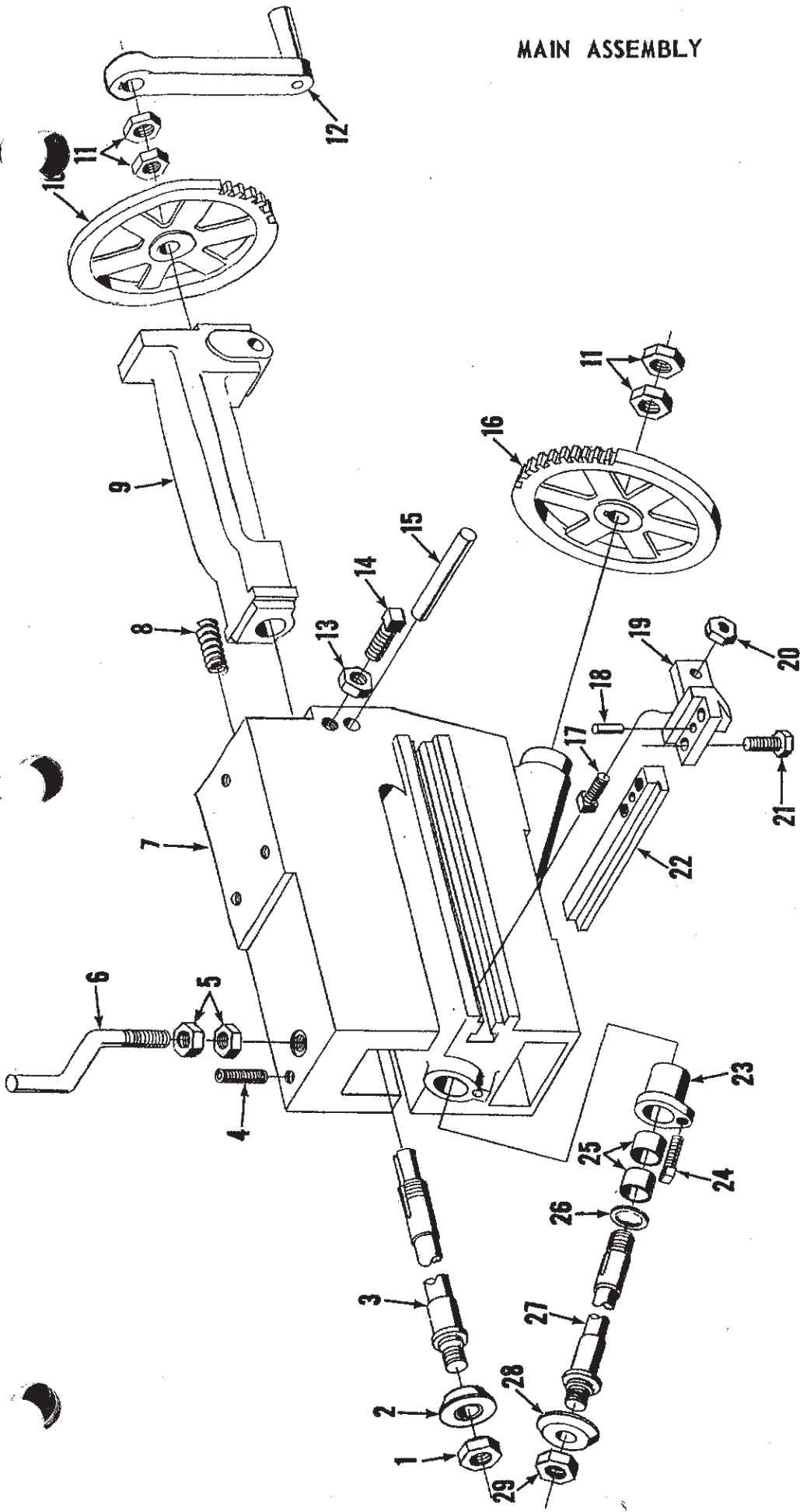
Part No. of Cutter	Angle A	Angle B	Angle C	Dimension D	Angle E	Angle F	Original O.D.
P-707	1°	2°	23°	1/32"			1 5/8"
P-708				1/32"	61°	31 1/2°	1 5/8"
P-35986	1°	2°	23°	1/32"			1 5/8"
P-35987				1/32"	61°	31 1/2°	1 5/8"

## DRIVE ASSEMBLY



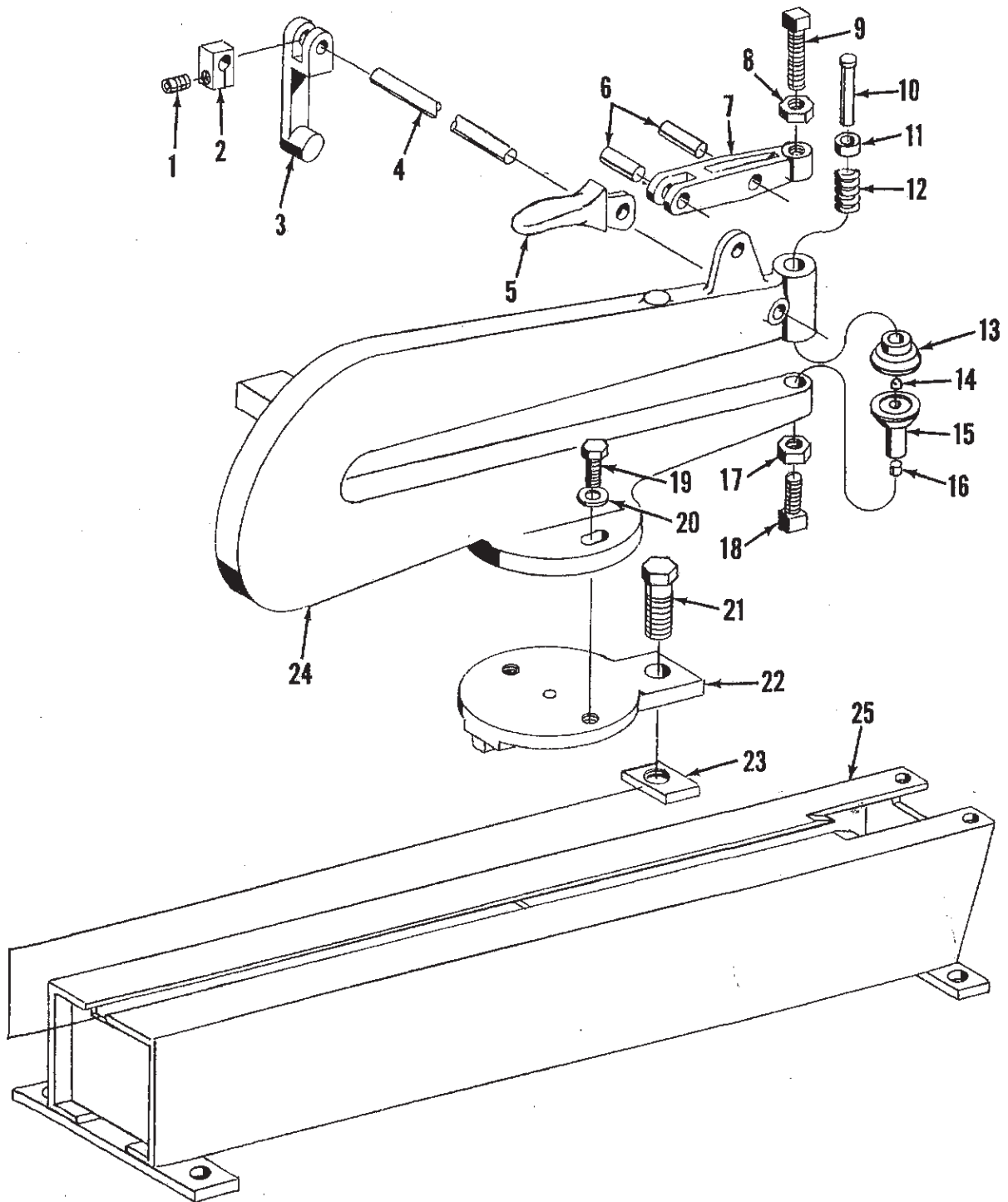
1. Hex Head Capscrew
2. Motor
3. Motor Plate
4. Lock Nut
5. Square Head Capscrew
6. Gear Guard
7. Gear
8. Lg. Sheave
9. Belt
10. Sm. Sheave
11. Gear Guard
12. Frame

# MAIN ASSEMBLY



- |                          |                           |
|--------------------------|---------------------------|
| 1. Nut                   | 16. Lower Gear            |
| 2. Upper Cutter          | 17. Square Head Capscrew  |
| 3. Upper Shaft           | 18. Pin                   |
| 4. Soc Head Capscrew     | 19. Slitting Gage Bracket |
| 5. Lock Nut              | 20. Nut                   |
| 6. Crankscrew            | 21. Hex Head Capscrew     |
| 7. Frame                 | 22. Slitting Gage         |
| 8. Spring                | 23. Adj. Bearing          |
| 9. Rocking Box           | 24. Square Head Set Screw |
| 10. Upper Gear           | 25. Bushings              |
| 11. Lock Nuts            | 26. Washer                |
| 12. Crank                | 27. Lower Shaft           |
| 13. Lock Nut             | 28. Lower Nut             |
| 14. Square Head Capscrew | 29. Nut                   |
| 15. Pin                  |                           |

# CIRCLE ARM ASSEMBLY



- |                         |                          |
|-------------------------|--------------------------|
| 1. Soc. Head Capscrew   | 14. Pivot Point          |
| 2. Gage Collar          | 15. Lower Spindle        |
| 3. Gage                 | 16. Wear Pin             |
| 4. Gage Rod             | 17. Lock Nut             |
| 5. Handle               | 18. Square Head Capscrew |
| 6. Pin                  | 19. Hex Head Capscrew    |
| 7. Clamping Lever       | 20. Washer               |
| 8. Lock Nut             | 21. Square Head Capscrew |
| 9. Square Head Capscrew | 22. Swivel Table         |
| 10. Upper Spindle       | 23. Nut Plate            |
| 11. Collar              | 24. Circle Arm           |
| 12. Spring              | 25. Bed                  |
| 13. Upper Disc          |                          |