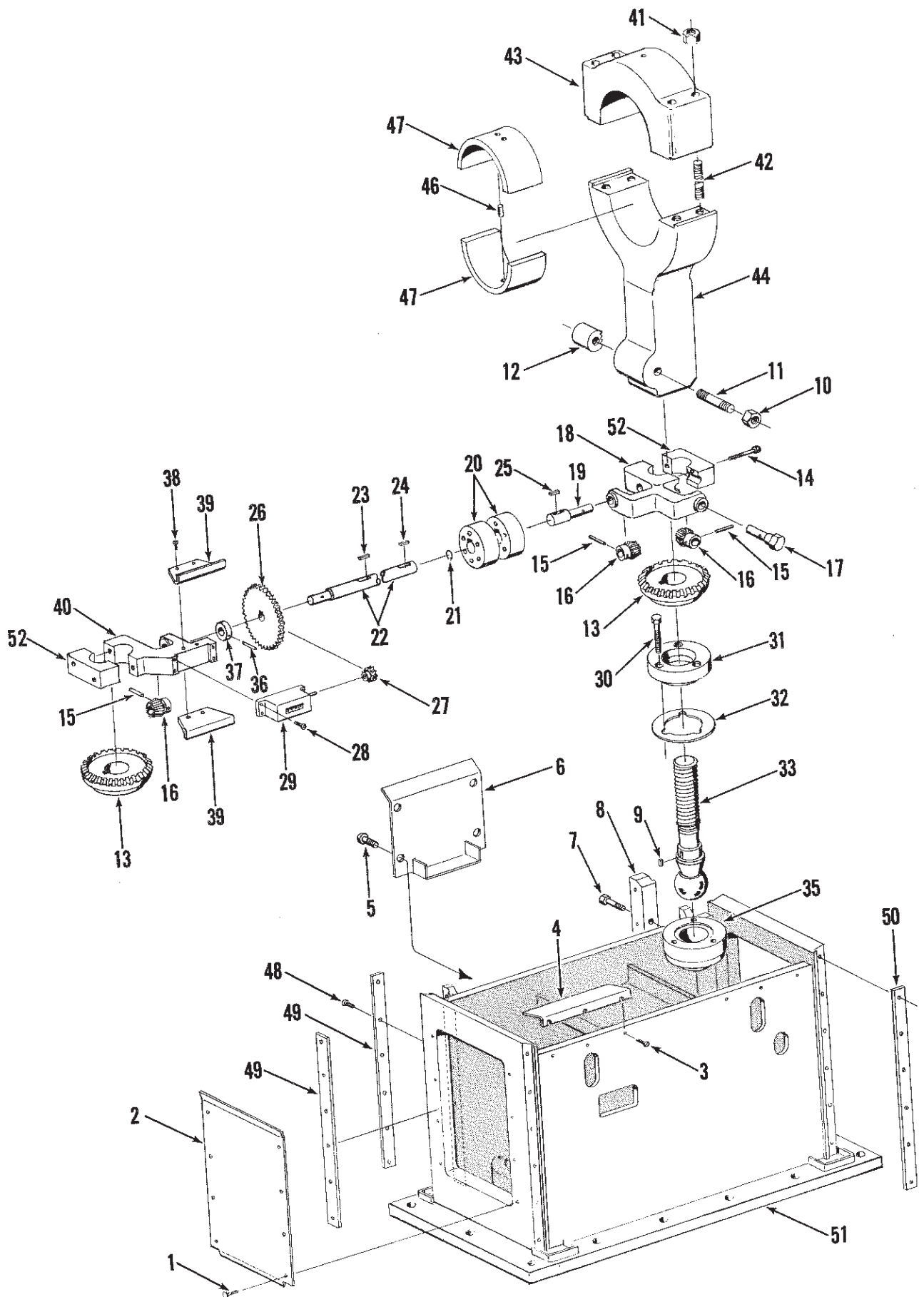


SEC. 4: PARTS LIST

SINCE THE REFERENCE OR CALL OUT NUMBERS ON THE FOLLOWING PARTS LIST ARE DUPLICATED ON OTHER PARTS LISTS, SPECIFY PART REQUIRED BY GIVING REFERENCE NUMBER AND FULL NAME FOLLOWED BY FORM AND PAGE NUMBER.

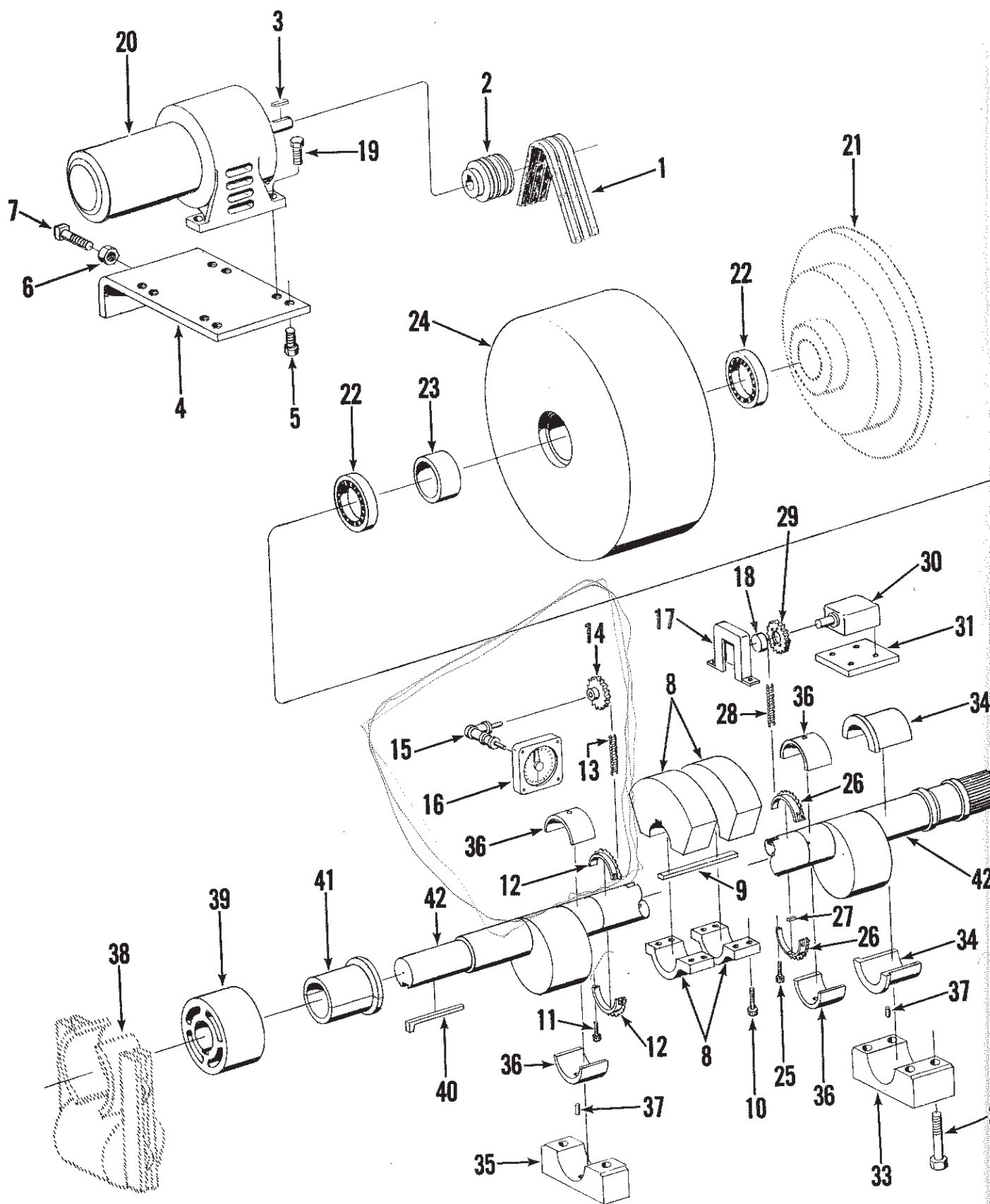
FRAME

1. Tie Bar Mounting Screw
2. Tie Bar
3. Lockwasher
4. Gib Lock Screw
5. Adjusting Locknut
6. Adjusting Screw
7. Gib Screw
8. R. H. Front Gib
9. L. H. Front Gib
10. Rear Gib Liner Screw
11. Rear Gib Liner
12. Bolster Mounting Screw
13. Bolster Plate
15. Dowel Pin
16. Brake Bracket Mounting Screw
17. Brake Bracket
18. Guard Clamp Mounting Screw
19. Belt Guard Clamp
20. Guard Clip Mounting Screw
21. Belt Guard Clip
22. Belt Guard Mounting Screw
23. Belt Guard
24. Eye Bolt
25. Eye Bolt Locknut
26. Oil Shield Bar Mounting Screw
27. Front Oil Shield Bar
28. Front Oil Shield
29. Front Oil Shield Mounting Screw
30. Rear Oil Shield Mounting Screw
31. L. H. Rear Oil Shield
32. R. H. Rear Oil Shield
33. Oil Shield Strap Mounting Screw
34. Rear Oil Shield Strap
35. Frame



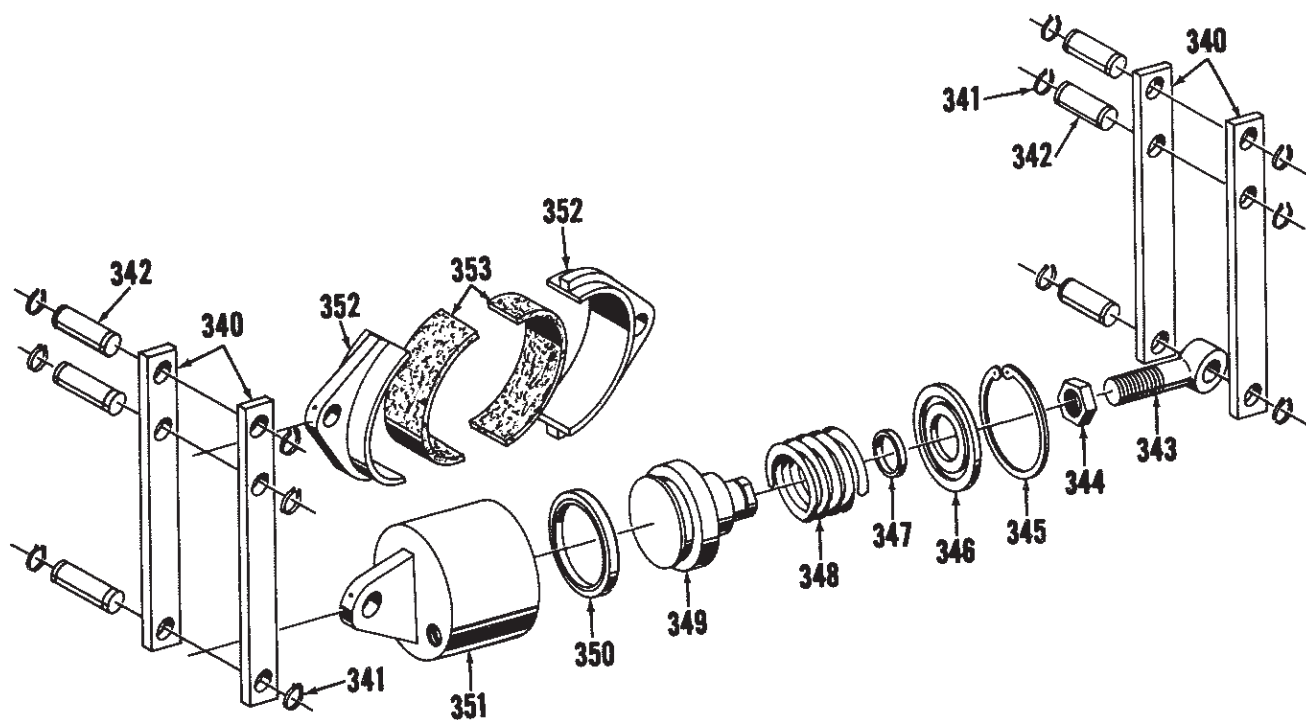
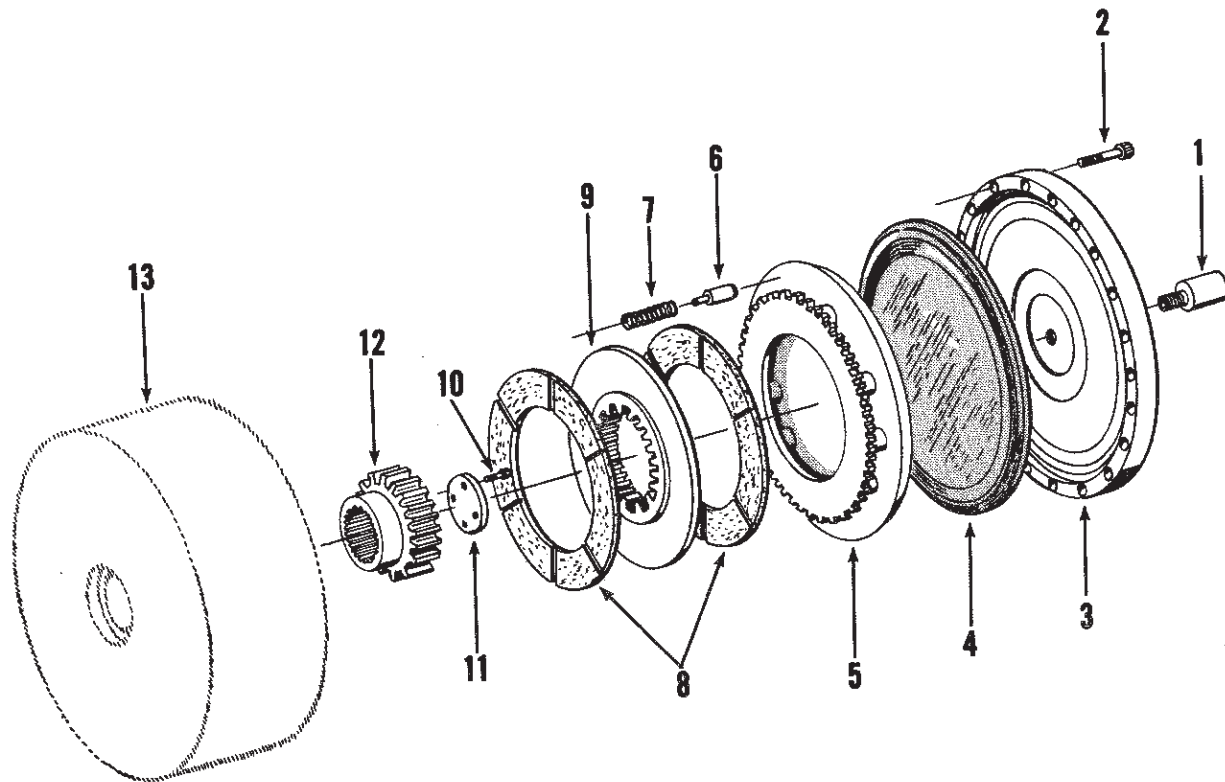
SLIDE - CONNECTIONS

1. Cover Screw
2. End Slide Oil Cover
3. Deflector Screw
4. Front Slide Oil Deflector
5. Cover Screw
6. Rear Slide Oil Cover
7. Gib Screw
8. Rear Adjustable Gib
9. Ball Screw Key
10. Clamping Nut
11. Clamping Stud
12. Clamp Plug
13. Bevel Gear
14. Cap Fastening Screw
15. Pinion Roll Pin
16. Bevel Pinion
17. Adjusting Stud
18. R.H. Adjusting Bracket
19. R.H. Adjusting Shaft
20. Coupling (2 Halves)
21. Retainer Ring
22. L.H. Adjusting Shaft
23. Key
24. Key
25. Key
26. Driving Gear
27. Driven Gear
28. Mounting Screw
29. Counter
30. Ball Cap Mounting Screw
31. Ball Cap
32. Ball Cap Shim
33. Ball Screw (specify R.H. or L.H.)
35. Ball Seat
36. Collar Roll Pin
37. Collar
38. Mounting Screw
39. Counter Support Plate
40. L.H. Adjusting Bracket
41. Connection Cap Nut
42. Connection Mounting Stud
43. Connection Cap
44. R.H. Connection
45. L.H. Connection (Not Shown)
46. Dowel Pin
47. Connection Bushing
48. Slide Liner Mounting Screws
49. Rear Slide Liner
50. Front Slide Liner
51. Slide
52. Adjustment Bracket Cap



DRIVE

1. Driving Belts
2. Sheave
3. Motor Key
4. Motor Plate
5. Motor Plate Mounting Screw
6. Locknut
7. Motor Plate Adjusting Screw
8. Shaft Counterweights
9. Counterweights Key
10. Counterweight Mounting Screw
11. Sprocket Fastening Screw
12. Stroke Position Driving Sprocket
13. Stroke Position Chain
14. Stroke Position Driven Sprocket
15. Angle Gear
16. Stroke Position Indicator
17. Limit Switch Sprocket Cover
18. Adjustable Coupling
19. Motor Mounting Screw
20. Driving Motor
21. Clutch Assembly (see page 18)
22. Flywheel Bearing
23. Flywheel Bearing Spacer
24. Flywheel & Clutch Housing
25. Sprocket Fastening Screw
26. Limit Switch Driving Sprocket
27. Sprocket Key
28. Limit Switch Chain
29. Limit Switch Driven Sprocket
30. Limit Switch
31. Limit Switch Pad
32. Bearing Cap Mounting Screw
33. Main Bearing Cap
34. R. H. Main Bearing Bushing
35. Center Main Bearing Cap
36. Center Main Bearing Bushing
37. Dowel Pin
38. Brake Assembly (see page 18)
39. Brake Collar
40. Brake Collar Key
41. L. H. Main Bearing Bushing
42. Eccentric Shaft



CLUTCH

1. Adapter
2. Clutch Cylinder Mounting Screw
3. Clutch Cylinder
4. Diaphragm
5. Push Plate
6. Spring Plunger
7. Clutch Spring
8. Clutch Facing
9. Inner Clutch Plate
10. Retainer Mounting Screw
11. Clutch Hub Retainer
12. Driving Hub
13. Flywheel & Clutch Housing (see Pg.16)

BRAKE

340. Arm
341. Snap Ring
342. Pin
343. Rod End
344. Locknut
345. Retaining Ring
346. Spring Retainer Plate
347. Oilite Bushing
348. Spring
349. Piston
350. 'U' Packing
351. Cylinder
352. Shoe
353. Brake Lining