

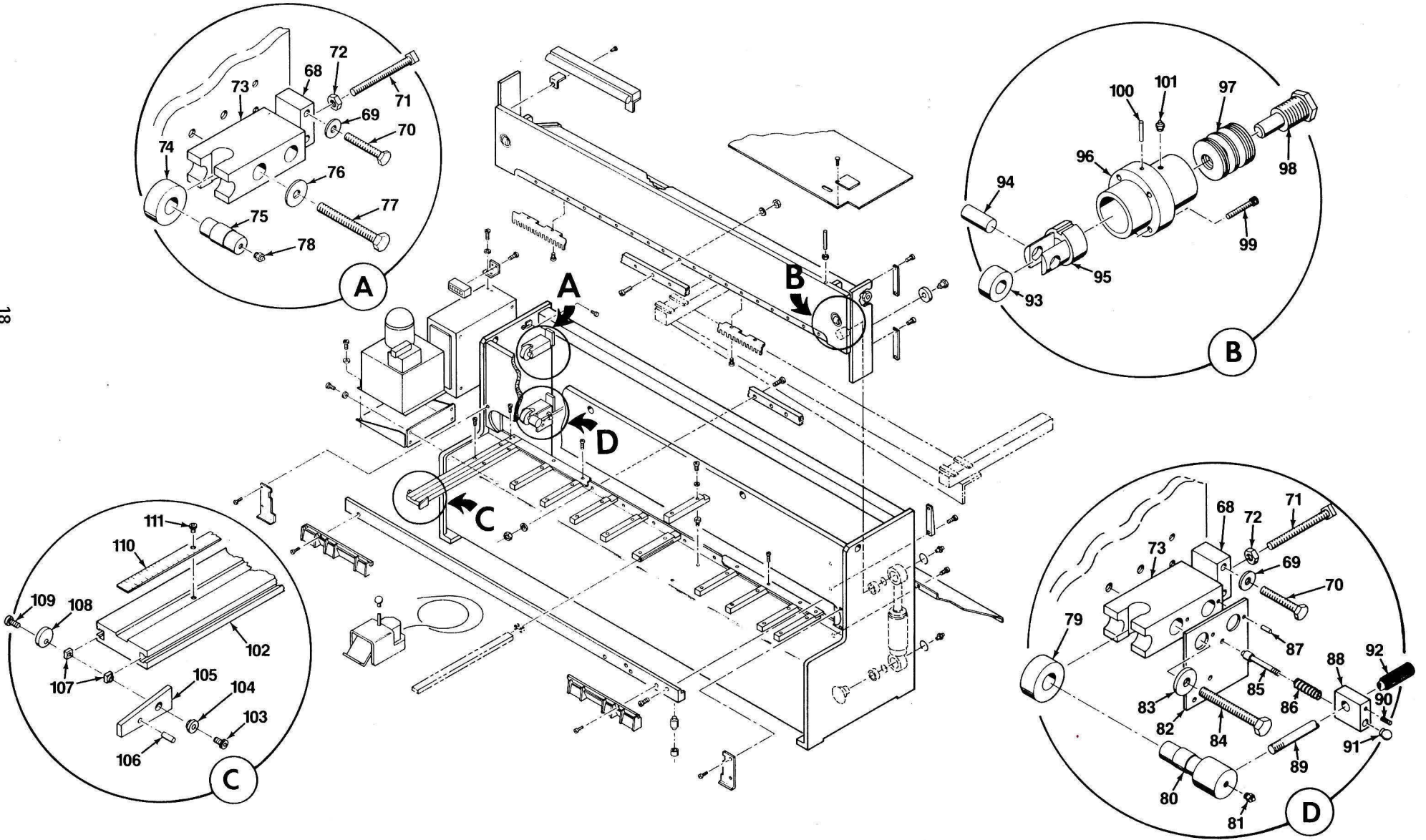
1. Ram
2. Light Bracket
3. Light Fixture
4. Screw
5. Top Cover (specify L.H. or R.H.)
6. Top Hole Cover
7. Screw
8. Rear Gib
9. Rear Gib Mounting Screw
10. End Roller Shoulder Screw
11. End Roller
12. Ram Position Indicator
13. Hex Nut
14. Moving Blade
15. Reverse Key Plow Bolt
16. Washer
17. Hex Nut
18. L.H. Knife Guard
19. Knife Guard Mounting Screw
20. R.H. Knife Guard
21. Brace Rod
22. Brace Rod Nut
23. Backage (see separate part list)
24. Counter Bracket Mounting Screw
25. Washer
26. Counter Bracket
27. Counter
28. Counter Mounting Screw
29. Micro Limit Switch
(specify L.H., R.H., Upper or Lower)
30. Limit Switch Mounting Screw
31. Fixed Blade
32. Spherical Bearing
33. Bearing Retaining Ring
34. Cylinder Retaining Ring
35. Lubrication Fitting

36. Motor Controller
37. Hydraulic Power Unit
38. Mounting Screw
39. Washer
40. Reservoir Bracket
41. Bed Cover Screw
42. End Bed Cover
43. L.H. Bed Cover
44. R.H. Bed Cover
45. Mounting Screw
46. Washer
47. Single Bed Rail
48. Bed Rail Adjusting Screw
49. Double Bed Rail
50. Front Gib
51. Front Gib Mounting Screw
52. Rear Chute
53. Chute Mounting Screw
54. R.H. Main Cylinder
55. L.H. Main Cylinder (not shown)
56. Frame
57. R.H. End Cover
58. End Cover Screw
59. Holddown Cylinder
60. Holddown Cylinder Footcups
61. Holddown Bar
62. Holddown Bar Mounting Screw
63. R.H. Holddown Guard
64. Holddown Guard Mounting Screw
65. L.H. Holddown Guard
66. L.H. End Cover
67. Front Bracket and 'T' Slot Nut (optional)
112. Foot Switch
113. Fluorescent Light
114. Fluorescent Tube Safety Shields

FRAME

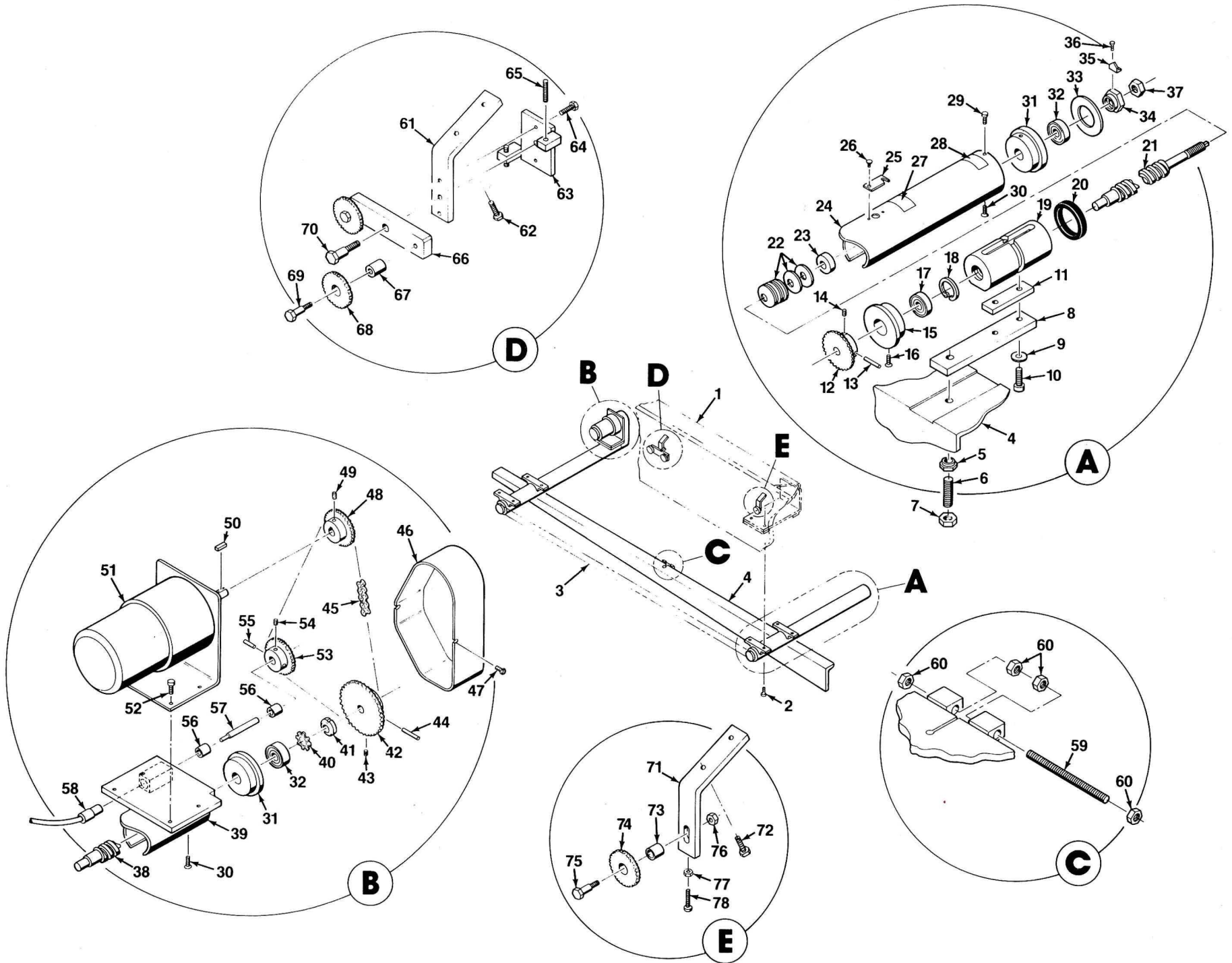
SINCE THE REFERENCE OR CALL OUT NUMBERS ON THE FOLLOWING PARTS LIST ARE DUPLICATED ON OTHER PARTS LISTS, SPECIFY PART REQUIRED BY GIVING REFERENCE NUMBER AND FULL NAME FOLLOWED BY FORM AND PAGE NUMBER.

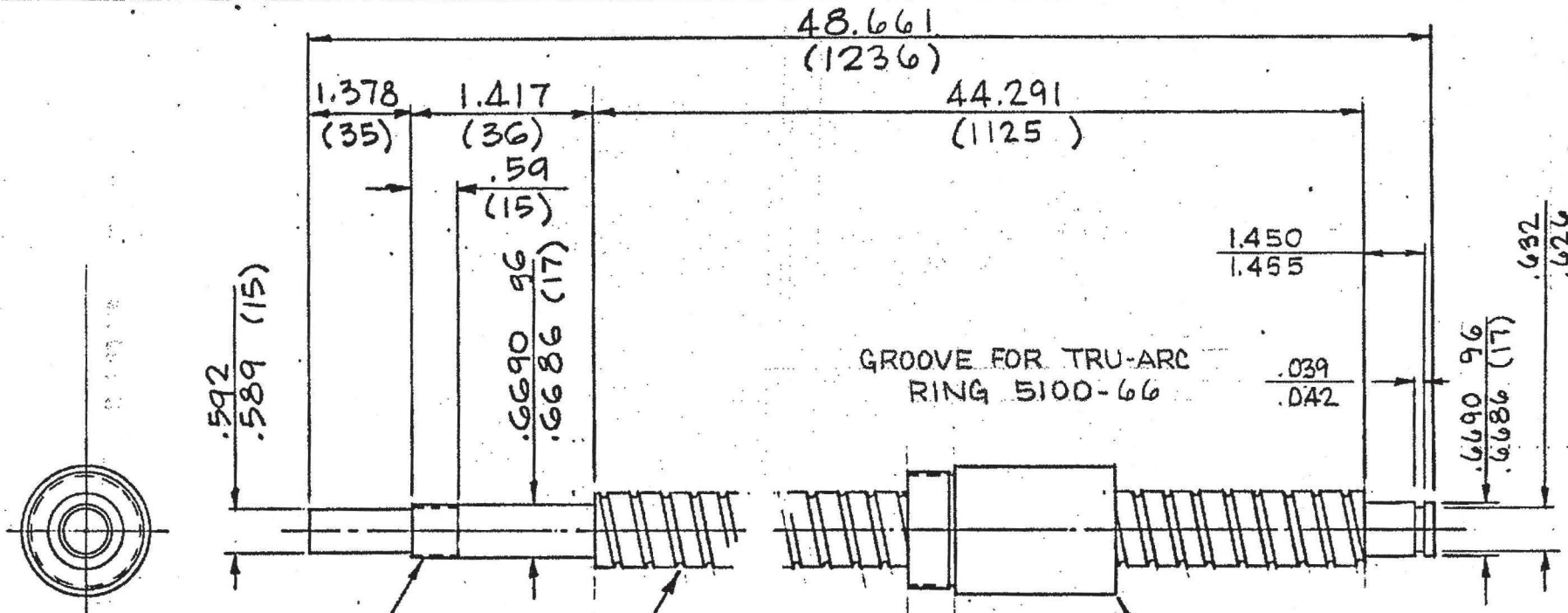
SEC. 4: PARTS LIST



- 68. Ram Adjustment Stop
- 69. Washer
- 70. Adjustment Stop Mounting Screw
- 71. Square Head Set Screw
- 72. Hex Jam Nut
- 73. Ram Adjustment Block (specify L.H. or R.H.)
- 74. Yoke Track Roller
- 75. Ram Adjustment Pivot
- 76. Washer
- 77. Adjustment Block Mounting Screw
- 78. Lubrication Fitting
- 79. Yoke Track Roller
- 80. Blade Adjustment Pivot
- 81. Lubrication Fitting
- 82. Blade Adjustment Plate
- 83. Washer
- 84. Adjustment Plate Mounting Screw
- 85. Blade Adjustment Pin
- 86. Blade Adjustment Spring
- 87. Roll Pin
- 88. Blade Adjustment Bar
- 89. Blade Adjustment Handle
- 90. Socket Set Screw
- 91. Knob
- 92. Hand Grip
- 93. Yoke Track Roller
- 94. Spring Pot Pin
- 95. Spring Pot Piston
- 96. Spring Pot Cylinder
- 97. Disc Spring Washers
- 98. Spring Pot Screw
- 99. Spring Pot Mounting Screw
- 100. Roll Pin
- 101. Lubrication Fitting
- 102. Side Gage Bar
- 103. Cap Screw
- 104. Disappearing Stop Washer
- 105. Disappearing Stop
- 106. Roll Pin
- 107. 'T' Slot Nut
- 108. Side Gage Washer
- 109. Cap Screw
- 110. Scale
- 111. Screw

FRAME DETAILS





M17 x 1 THREAD

WARNER ELECTRIC
MODEL RM 2510A OR EQUAL

25 mm NOMINAL DIA.
10 mm LEAD
BALL SCREW
±.003 IN/FT ACCURACY

ASSEMBLE
NUT ON SCREW
AS SHOWN.
.005 BACKLASH

BALL SCREW
PART NO. P-98924

① USE # 8110-448-035
WITH BUILT IN WIPER

LIGHT & MEDIUM BACK GAGE
36" RANGE

MICROFILMED

TRANSPARENT FROM						UNLESS OTHERWISE SPECIFIED:	MODEL NO. BALL SCREW BACKGAGE		
						SURFACE FINISH	TITLES		
							TITLE BALL SCREW-36" RANGE		
							DATE 2-4-86	DRAWN HAS	CHECKED R.L.H.
REFERENCE							<p>NIAGARA</p> <p>MACHINE AND TOOL WORKS BUFFALO / NEW YORK / U.S.A.</p>		
P-98314				① REV 7/26/85			<p>SHEET OF</p> <p>P-98924</p>		
	NO.	WAS	DATE	NO.	WAS	DATE	<p>KEYWAYS: USE SPECIAL TOLERANCE TABLE</p>		

58087