

PARTS LIST

When Ordering Parts Specify Complete Part Name

PARTS COMMON TO BOTH SERIES "AA" AND SERIES "H" PRESSES:

PRESS

2. Crankshaft (Specify stroke)
3. L.H. Main Bearing Cap
- *4. L.H. Floating Bushing (when used)
5. R.H. Main Bearing Cap
- *6. R.H. Split Bushing (when used)
7. Connection Cap
8. Connection } **SOLD AS
COMPOSITE ONLY.**
(Advise if special long stroke)
- *9. Connection Bushing (when used)
10. Connection Clamping Studs
11. Ball Connection Screw
12. Slide
(Advise if special flanged slide)
13. Breech Block Die Clamp
14. Breech Block Clamping Studs
15. Shims for Ball Connection Cap
16. Ball Connection Cap
17. Knockout Bar
18. Knockout Stud
19. Knockout Set Screw
20. Gib
21. Bolster Plate
22. Bolster Bolts

BACKSHAFT

50. Backshaft
- *51. L.H. Backshaft Bearing
52. L.H. Bearing Housing
- *53. L.H. Bearing Cover
- *54. R.H. Backshaft Bearing
- *55. R.H. Bearing Housing

DRIVE

60. Flywheel
61. V Belts
62. Motor Sheave
63. Motor
64. Motor Plate
65. Motor Bracket
66. Motor Bracket Hinge Pin
67. Belt Guard
68. Clutch Gear or Wheel
69. Clutch Gear Bearings
70. Gear Guard
71. Guard Plate

SLIDE COUNTERBALANCE

80. Counterbalance Cylinder
81. Counterbalance Tie Rod
82. Counterbalance Cylinder Cover
83. Lower Cylinder Cap
84. Counterbalance Piston
85. Counterbalance Piston Packing
86. Counterbalance Piston Rod
87. Bronze Sleeve in Part No. 83
88. Stuffing Box Packing in Part No. 83
89. Stuffing Box Compression Nut
90. Jam Nut for Part No. 89

ADDITIONAL PARTS FOR ADJUSTABLE COUNTERBALANCE

91. Counterbalance Surge Tank
(For appearance see Part No. 201)
92. Fusible Plug for Surge Tank
(For appearance see Part No. 202)
93. Safety Valve for Surge Tank
(For appearance see Part No. 203)
94. Pressure Gage
95. Threeway Exhaust Valve
96. Swing Check Valve
97. Pressure Regulator
98. Instruction Plate

ELECTRO-PNEUMATIC CLUTCH

150. Clutch Spring Washer
151. Clutch Spring
152. Clutch Wheel Face
153. Clutch Wheel Face Bolts
154. Clutch Sleeve
155. Push Pins
156. Cylinder Support
157. Cylinder Support Washer
158. Clutch Snap Ring
159. Clutch Piston
160. Clutch Piston "O" Ring
161. Clutch Cylinder
162. Clutch Cylinder Bolts and Lock Washers
163. Rotary Air Seal
164. Clutch Hose Assembly
165. Airline Filter
166. Airline Lubricator
167. Check Valve
168. Clutch Surge Tank
- 168a. Fusible Plug
- 168b. Drain Petcock

* Not illustrated

SEE ILLUSTRATIONS

PARTS COMMON TO BOTH SERIES "AA" AND SERIES "H" PRESSES (continued):

ELECTRICAL CONTROL

- 170. Clutch Control
(Advise full name plate data from plate inside cabinet and also wiring diagram number)
- 171. Solenoid Valve
(Parts list furnished on request)
- 172. Operating Palm Buttons
- 172a. Palm Button Housing
- 173. Limit Switch Bracket
- 174. Limit Switch Cam
- 175. Limit Switch
- 176. Limit Switch Connection Rod
- 177. Connecting Rod Yoke and Pin
- 178. Bell Crank
- 179. Bell Crank Cam Roller and Pin

AIR RELEASING BRAKE

- 180. Brake Collar
- 181. Brake Air Cylinder Head

- 182. Brake Spring Pot
- 183. Brake Spring
- 184. Brake Piston
- 185. Piston "U" Ring Packing
- 186. Formica Bushing
- 187. Brake Lever Arms
- 188. Brake Shoe
- 189. Brake Shoe Lining
- 190. Tubular Rivet for Brake
- 191. Brake Pivot
- 192. Pivot Spacer
- 193. Short Brake Shoe Pin
- 194. Long Brake Shoe Pin
- 195. Short Brake Shoe Spacer
- 196. Long Brake Shoe Spacer
- 197. Trunion
- 198. Cylinder Drain Petcock

PARTS FOR SERIES "AA" PRESSES ONLY:

PRESS

- 1A. Frame

LEGS AND INCLINING DEVICE

(Inclining Device is Optional Equipment)

- 30. Leg
- 31. Pivot Stud for Leg
- 32. Rear Stud for Leg
- 32a. Inclining Locking Collar for Leg
- 33. Tie Rod for Legs
- 34. Stud for Inclining Bracket
- 35. Inclining Bracket
- 36. Pin for Inclining Screw
- 37. Thrust Bearing for Inclining Screw (when used)
- 38. Washer for Inclining Screw (when used)
- 39. Nut for Inclining Screw
- 40. Inclining Screw

DRAW CUSHIONS

(When ordering cushion parts always give cushion serial number)

- 200. Cushion Mounting Tie Rods
- 201. Cushion Air Tank
- 202. Fusible Plug
- 203. Safety Valve for Surge Tank
- 204. Drain Petcock
- 205. Threeway Exhaust Valve
- 206. Horizontal Swing Check Valve
- 207. Pressure Gage
- 208. Pressure Regulator
- 209. Globe Valve

The above parts are used with both Single and Tandem cushions.

SINGLE CUSHION

- A1-1. Cylinder
- A1-2. Cylinder Head
- A1-3. Piston
- A1-4. Piston Packing
- A1-5. Piston Rod
- A1-6. Pressure Plate
- *A1-7. Piston Locknut
- A1-8. Cylinder Tie Rod
- A1-9. Oil Lubrication Fitting

TANDEM CUSHION

- A2-1. Upper Cylinder
- A2-2. Lower Cylinder
- A2-3. Upper Piston
- A2-4. Lower Piston
- A2-5. Piston Rod
- A2-6. Pressure Plate
- *A2-7. Lower Piston Locknut
- A2-8. Cylinder Tie Rod
- A2-9. Oil Lubrication Fitting
- A2-10. Piston "U" Ring Packing
- A2-11. Piston Rod "U" Ring Packing
- A2-12. Vellumoid Gasket
- A2-13. Cylinder Mounting Plate
- *A2-14. Upper Piston Retaining Snap Ring

PARTS FOR SERIES "H" PRESSES ONLY:

PRESS

- 1H. Frame

ADJUSTABLE BED

- 210. Table
- 211. Adjusting Screw
- 212. Locking Screw
- 213. Flanged Nut
- 214. Lock Nut

- 215. Swing Shaft
- 216. Clamping Collar
- 217. Collar
- 218. Clamping Bolts

HORN

- *219. Horn
- *220. Clamping Plate
- *221. Key
- *222. Horn Cap Screws

* Not illustrated

SEE ILLUSTRATIONS

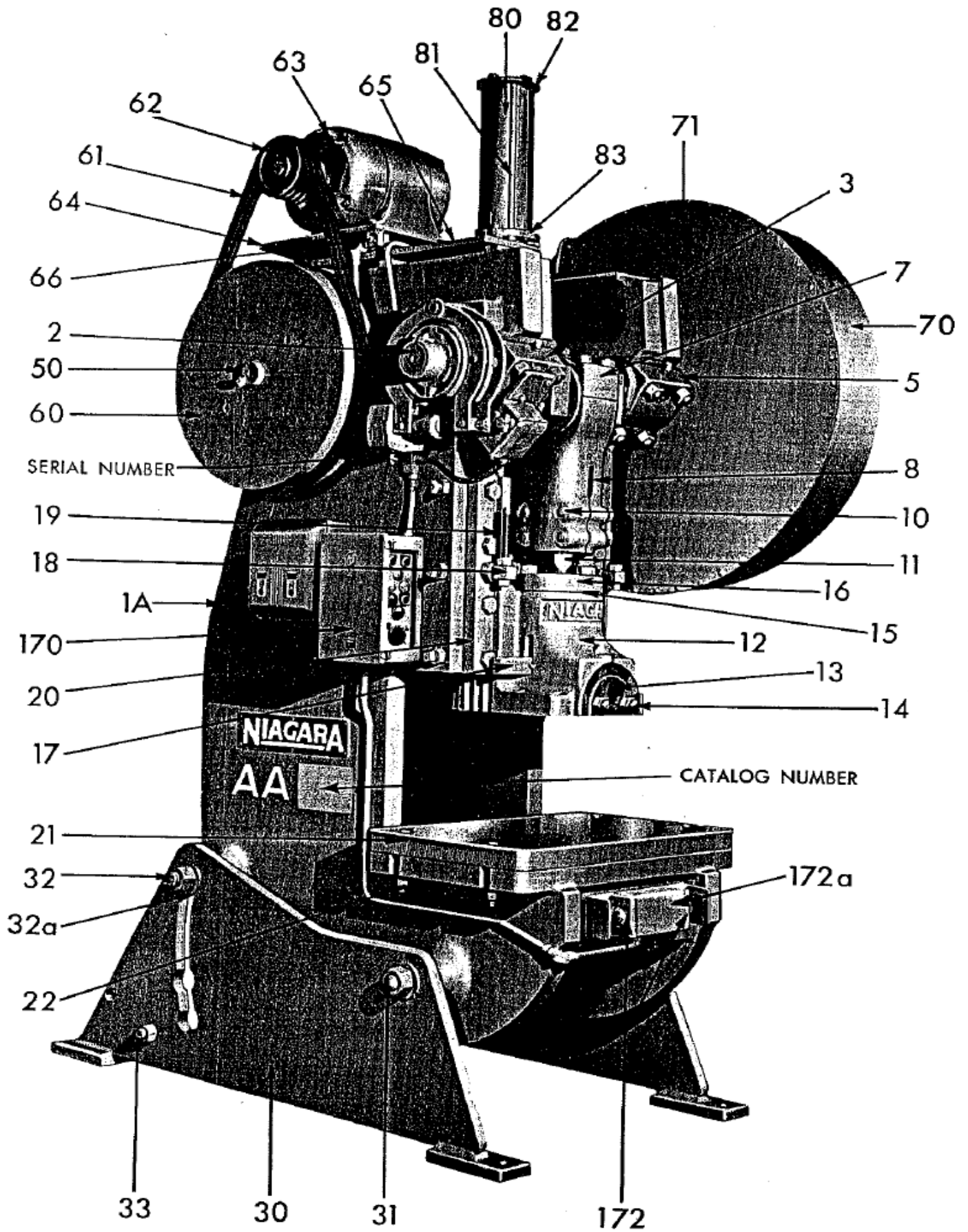


FIG. 6 Series "AA" Geared Press

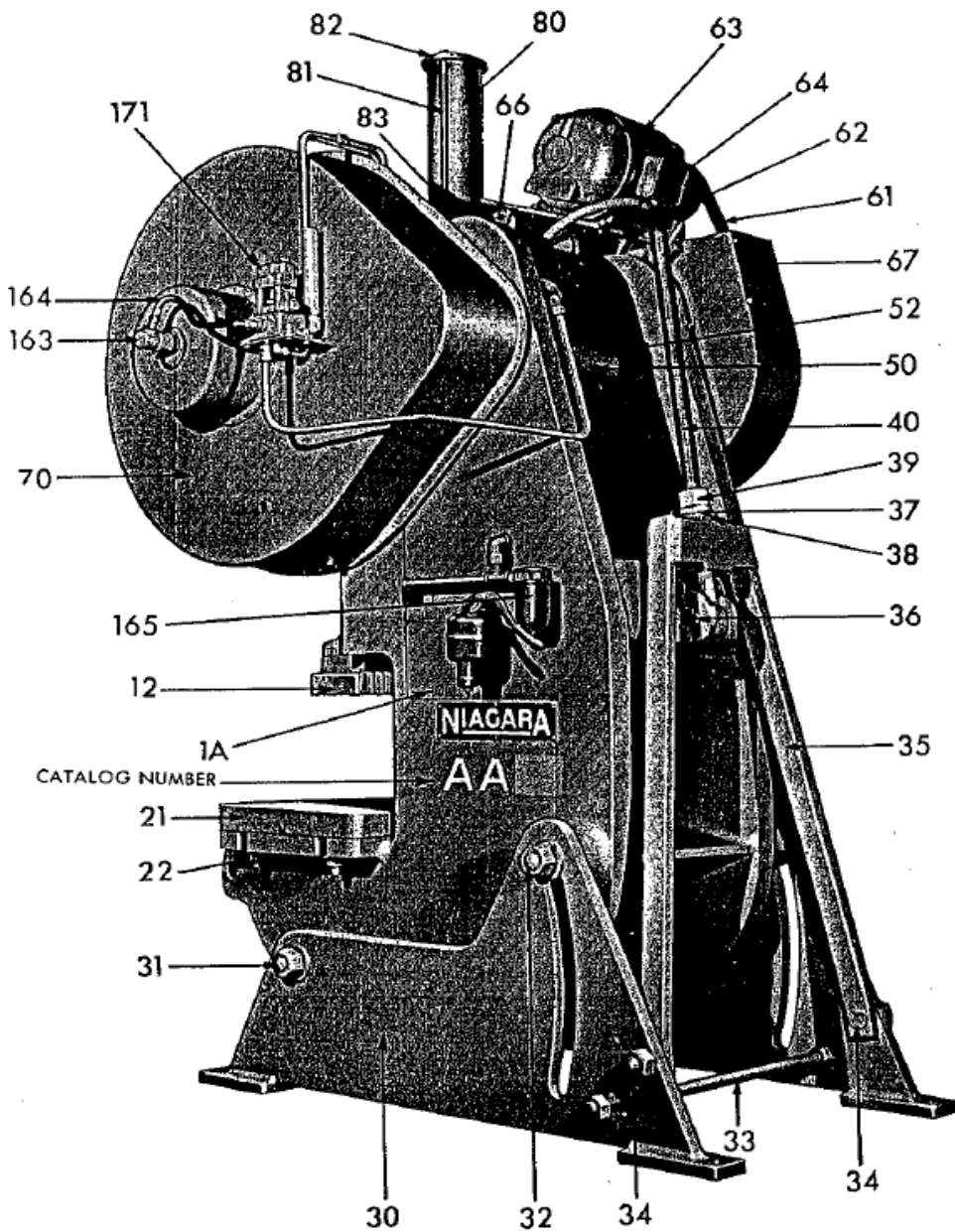


FIG. 7 Series "AA" Geared Press

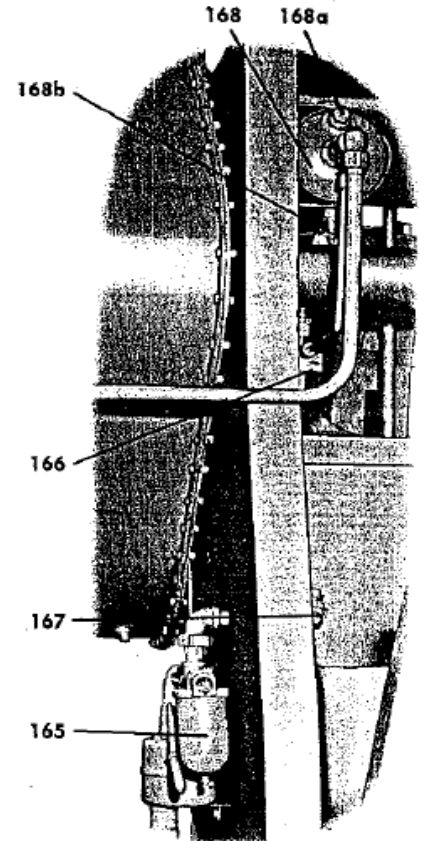


FIG. 8
Rear View Showing
Clutch Surge Tank
and Air Line Lubricator

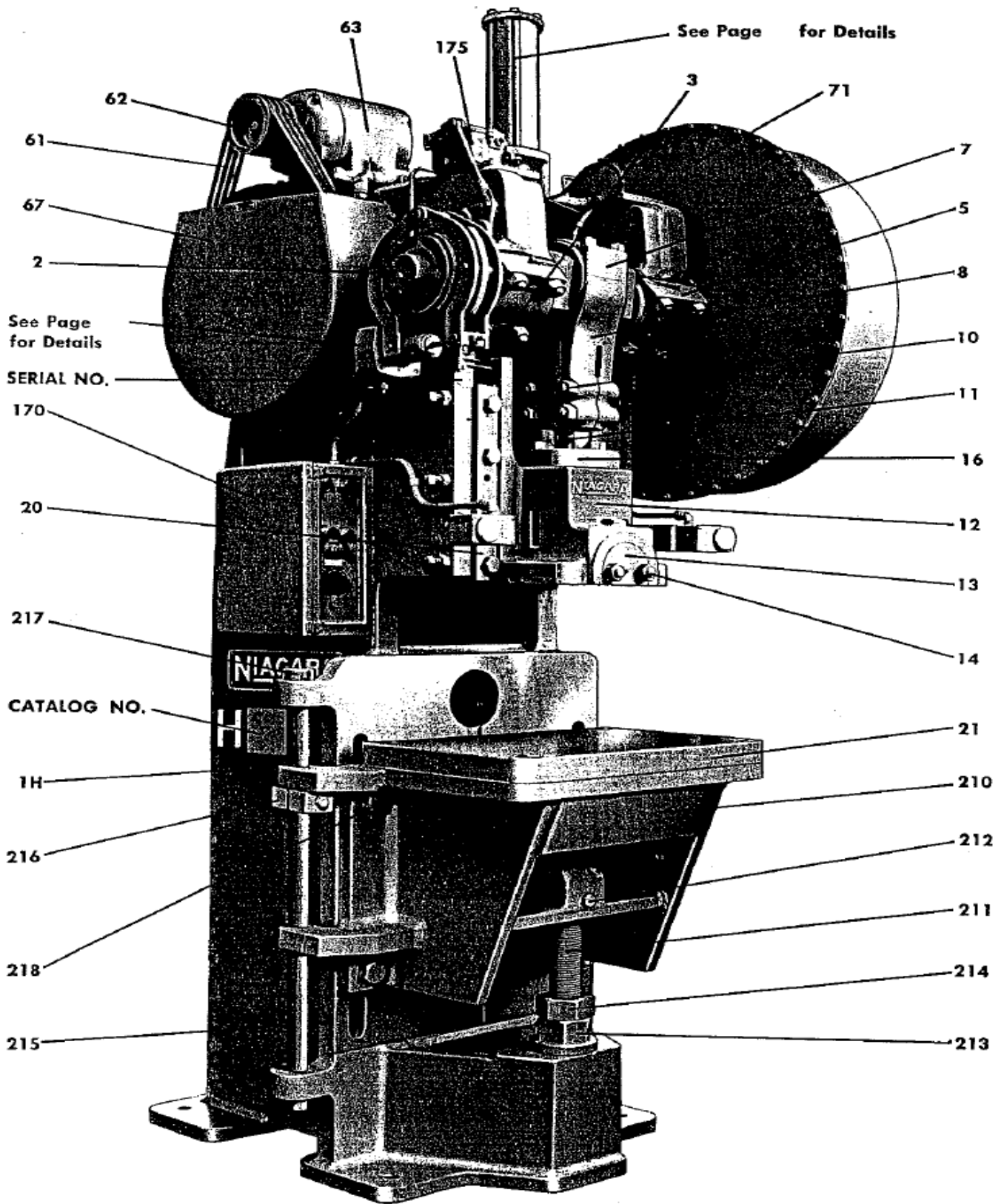


FIG. 9 Series "H" Geared Press

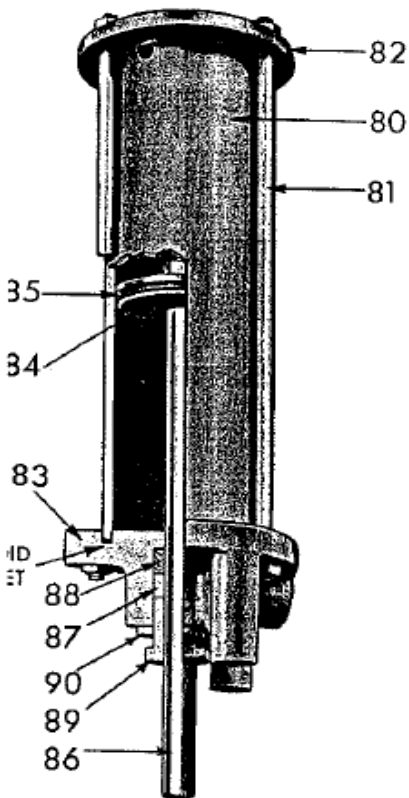
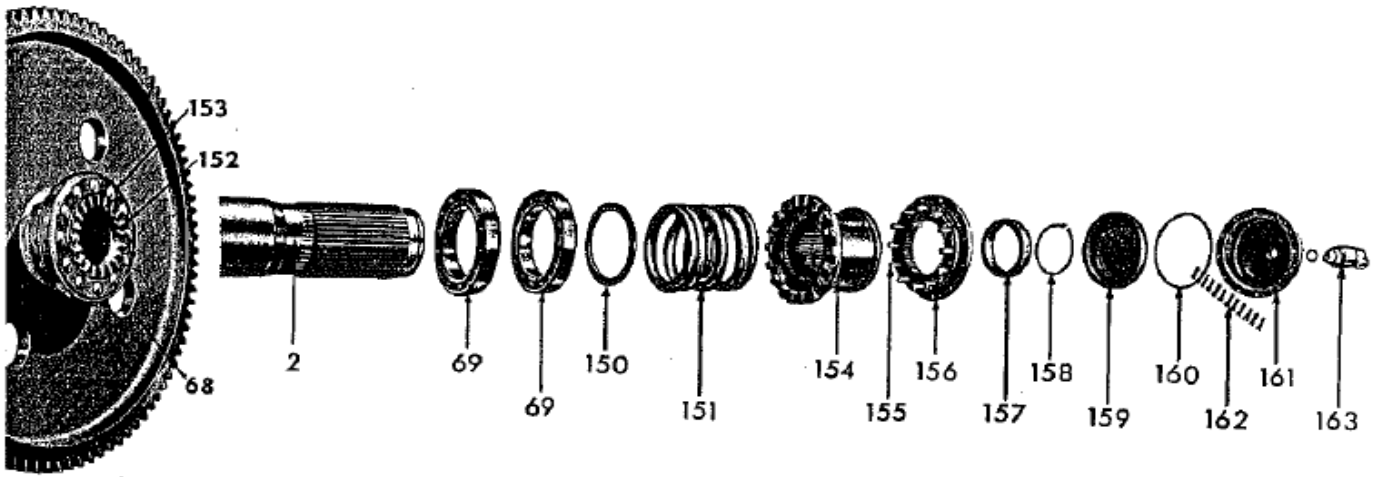


FIG. 12

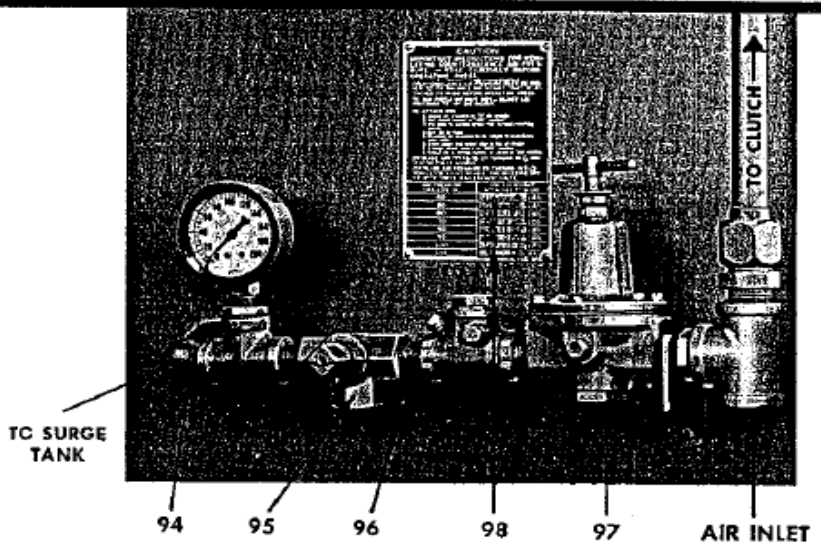


FIG. 11 ADJUSTABLE COUNTERBALANCE PIPING

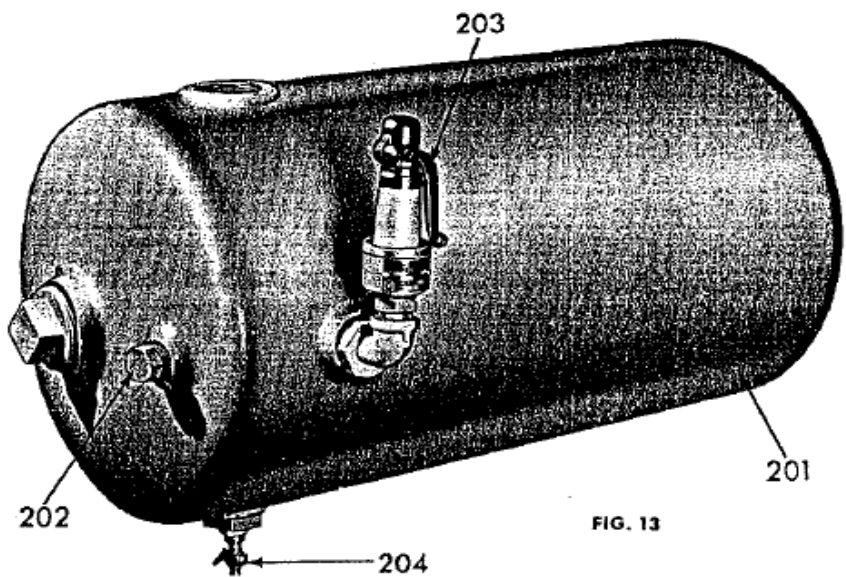


FIG. 13

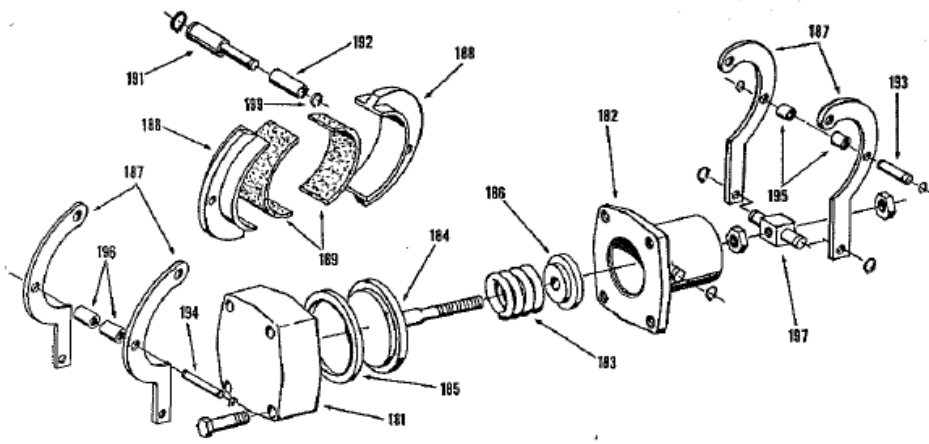


FIG. 14

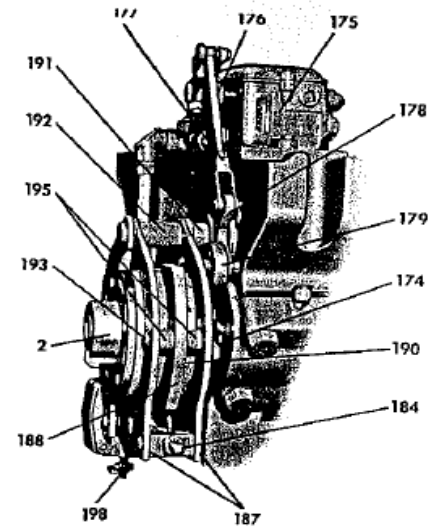
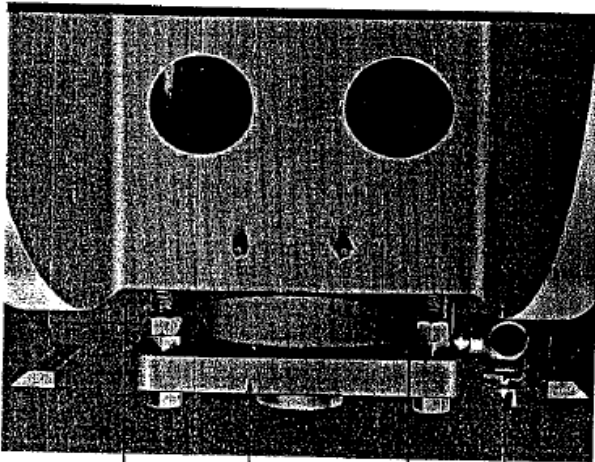


FIG. 16



200 A1-1 200 204

FIG. 17

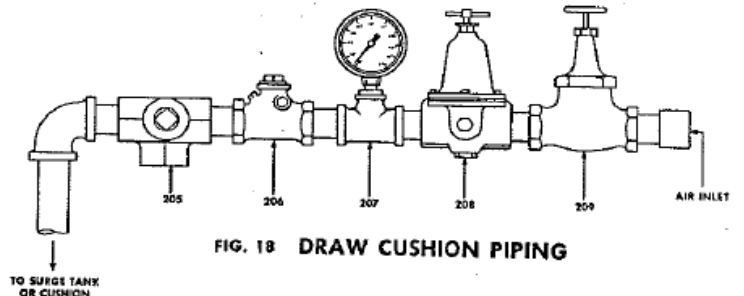


FIG. 18 DRAW CUSHION PIPING

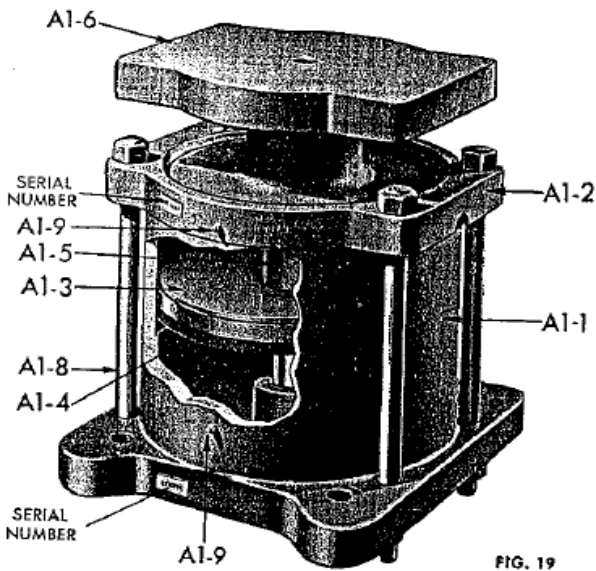


FIG. 19

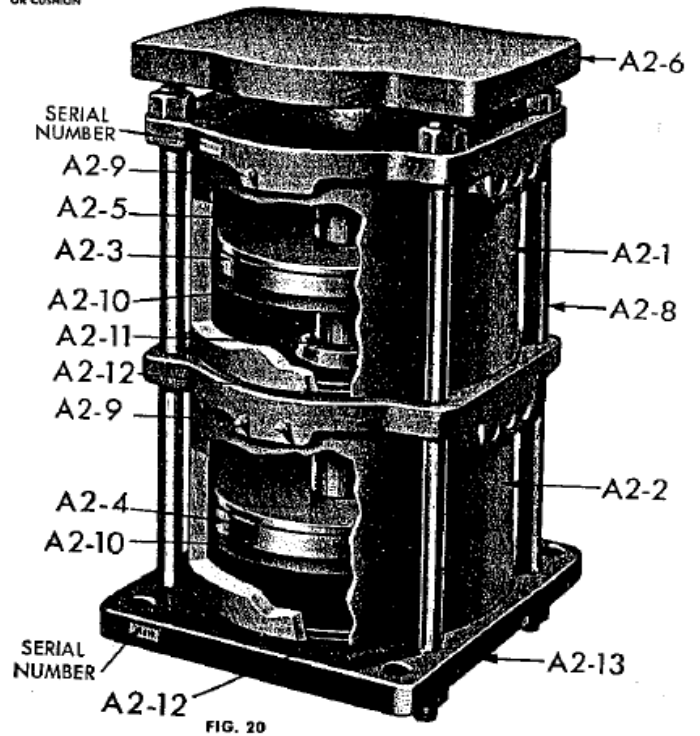


FIG. 20