

## FRAME

### All Models

1. Lifting Eye Bolts
2. Cap Screw
3. Bearing Cap
4. Gib Adjusting Screw
5. Gib Adjusting Nut
6. Bolster Plate
7. Counterbalance (optional) (See separate Parts List)
8. Drive Assembly (See separate Parts List)
9. Connection (See separate Parts List)
10. Slide (See separate Parts List)
11. Front Frame Cover (up to A-60)
- 11A. Clutch Cover

### Adjustable Bed Models Only

30. Frame
31. Table
32. Adjusting Screw
33. Jam Nut
34. Clamp Screw
35. Clamp Bar
36. Clamp Nut

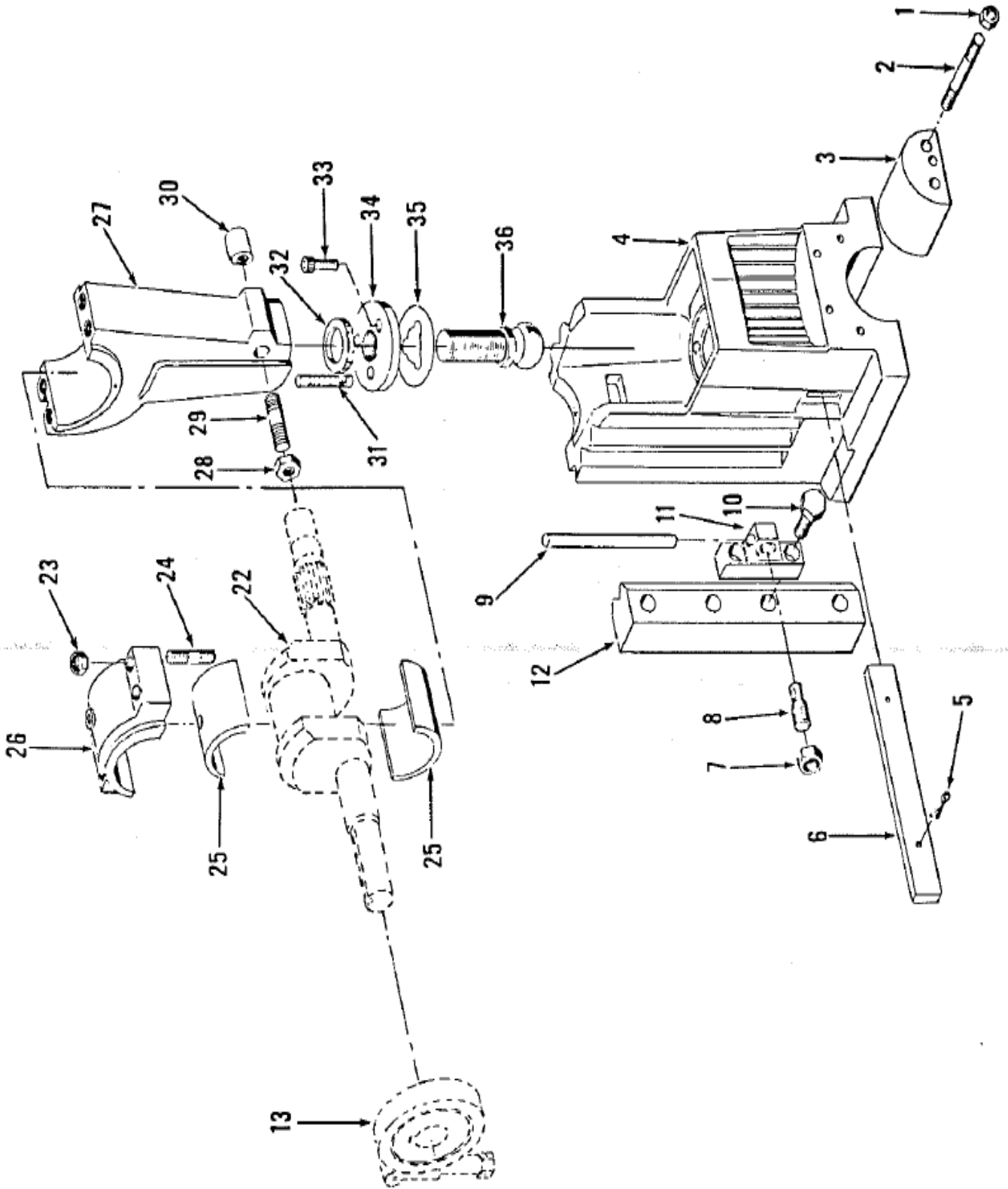
### Inclinable Models Only

13. Frame (Cast Iron on A-15)
14. Leg
- 14A. Leg Pivot
15. Tie Rod
16. Tie Rod Nut
17. Rear Leg Stud
- 17A. Locking Collar
- 17B. Nut

### Inclinable Options

18. Inclining Bracket
19. Bracket Stud
20. Nut
21. Inclining Screw Pin
22. Retainer Ring
23. Inclining Screw
24. Inclining Screw Nut
25. Thrust Bearing
26. Adjusting Motor
27. Worm Gear Jack
28. Valve Bracket
29. Hand Operated Valve

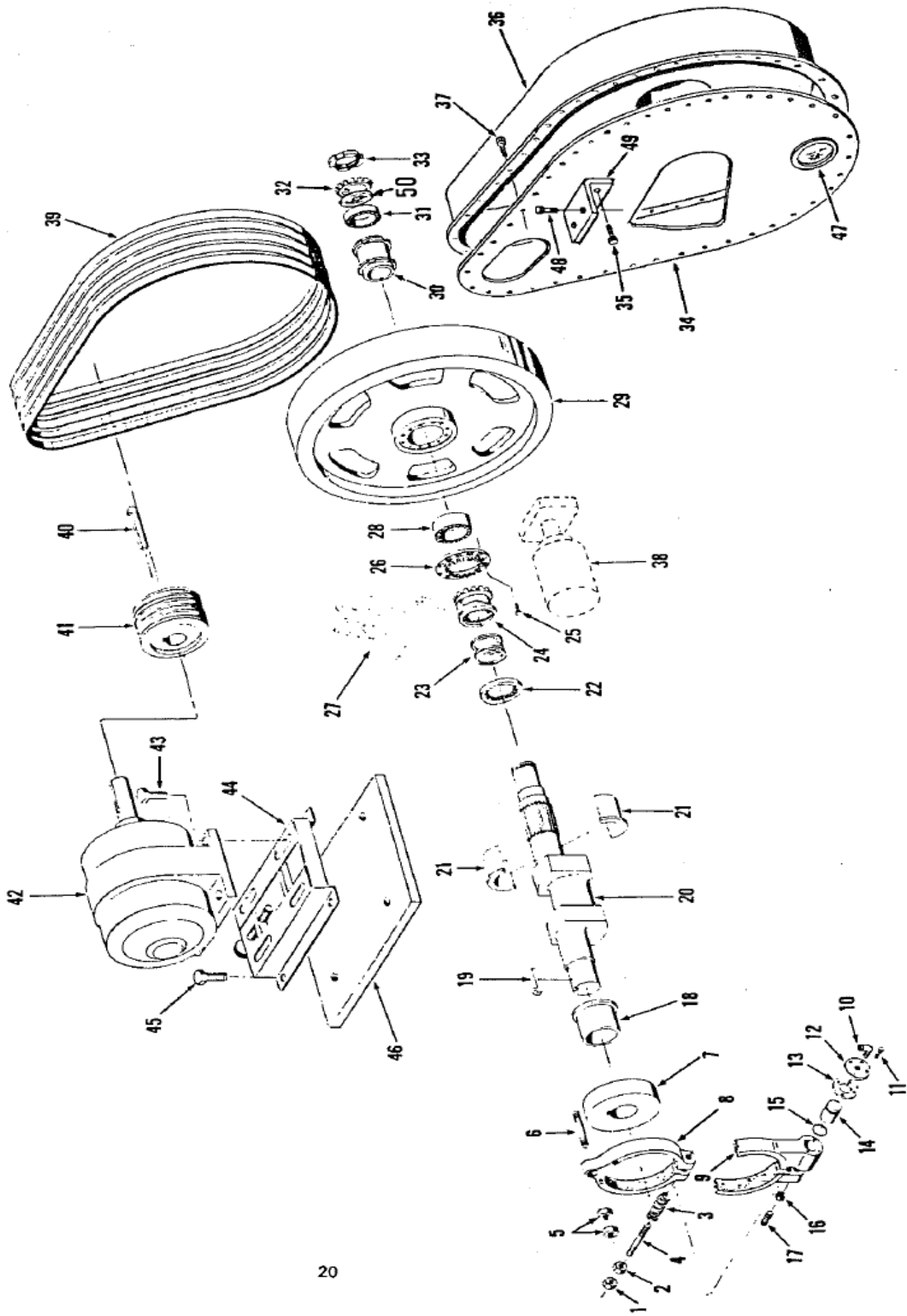
Power Operated



## SLIDE AND ADJUSTMENT CONNECTION

### Manually Adjusted Connection Only

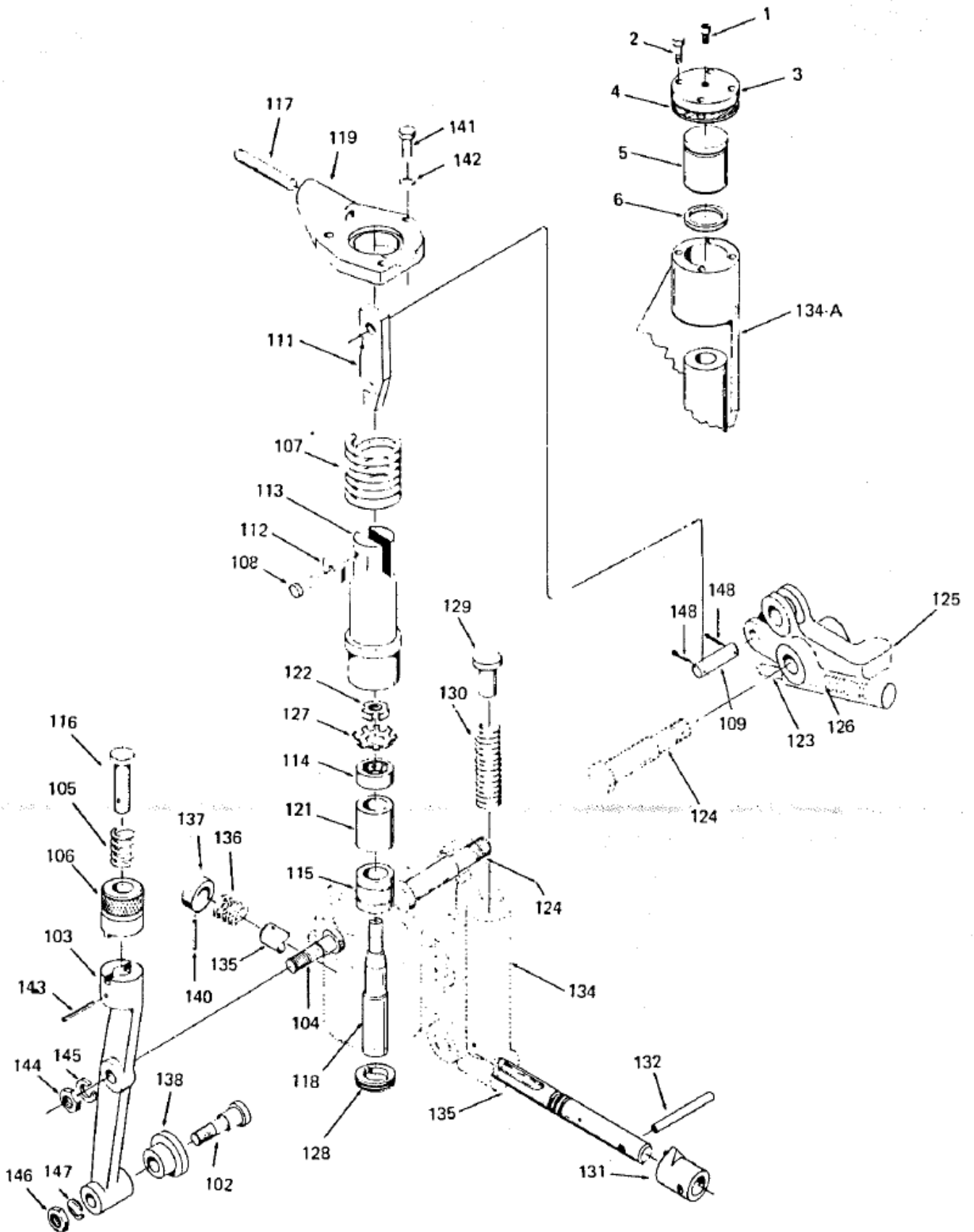
1. Nut
2. Breech Block Stud
3. Breech Block
4. Slide (Ram)
5. Cotter Pin
6. Knock-out Bar
7. Clamp Nut
8. Knock-out Clamp
9. Knock-out Pin
10. Bracket Mounting Screw
11. Knock-out Bracket
12. Gib
13. Brake (See Drive Parts List)
22. Crankshaft (See separate Parts List)
23. Nut
24. Connection Cap Stud
25. Connection Bushing
26. Connection Cap (sold with connection)
27. Connection
28. Clamp Plug Nut
29. Clamp Plug Stud
30. Clamp Plug (sold with connection)
31. Slide Indicator Scale
32. Slide Indicator Gage
33. Cap Screw
34. Connection Ball Cap
35. Cap Shim
36. Connection Ball Screw



20

## PLAIN PRESS DRIVE

1. Brake Locknut
  2. Brake Adjusting Nut
  3. Brake Spring
  4. Brake Spring Stud
  5. Brake Mounting Nuts
  6. Brake Strap Mounting Stud
  7. Brake Collar
  8. Drag Brake Strap
  18. L. H. Bushing
  19. Brake Collar Key
  20. Crankshaft
  21. R. H. Split Bushing
  22. Clutch Cam
  23. Clutch Spring
  24. Clutch Sleeve
  25. Clutch Ring Mounting Bolt
  26. Clutch Ring
  27. Latch Bracket (See separate Parts List)
  28. Inner Flywheel Bearing
  29. Flywheel
  30. Spacing Collar
  31. Outer Flywheel Bearing
  32. Lockwasher
  33. Locknut
  34. Guard Plate
  35. Plate Mounting Screw
  36. Flywheel Guard
  37. Guard Mounting Screw
  38. Flywheel Brake (Optional)
  39. Driving Belt
  40. Motor Key
  41. Sheave
  42. Main Motor
  43. Motor Mounting Screw
  44. Adjustable Motor Base
  45. Base Mounting Screw
  46. Motor Mounting Plate
  47. Rotation Sight Window
  48. Bracket Mounting Screw
  49. Plate Mounting Bracket
  50. Keyed Washer
- Air Releasing Strap Brake Only**
9. Brake Strap
  10. Air Fitting
  11. Cylinder Cover Screw
  12. Cylinder Cover
  13. Cylinder Gasket
  14. Piston
  15. "O" Ring
  16. Locknut
  17. Adjusting Screw



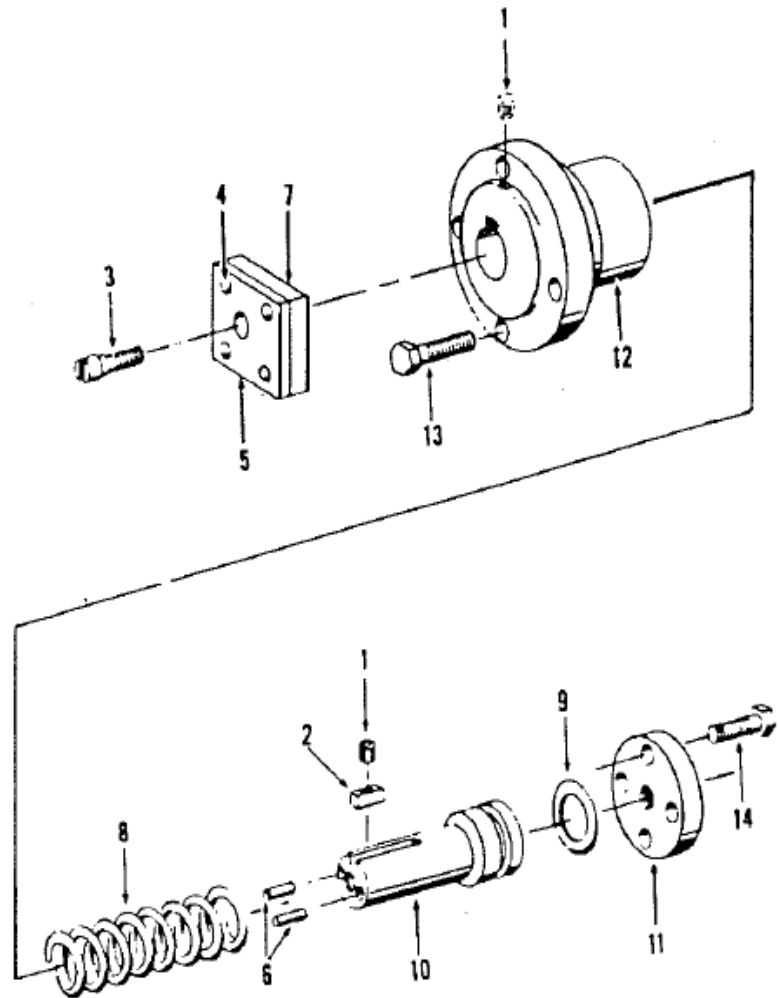
## LATCH BRACKET ASSEMBLY

- 102. Cam Roller Shaft
- 103. Cam Lever
- 104. Cam Lever Pin
- 105. Selector Knob Spring
- 106. Selector Knob
- 107. Throwout Spring
- 108. Throwout Pin
- 109. Latch Pin
- 111. Latch
- 112. Throwout Key
- 113. Throwout
- 114. Throwout Ball Bearing
- 115. Throwout Needle Bearing
- 116. Selector Knob Pin
- 117. Sliding Pin -
- 118. Throwout Shaft
- 119. Throwout Housing Cover
- 121. Spacing Collar
- 122. Lock Nut
- 123. Latch Spring Pin
- 124. Bell Crank Pin
- 125. Bell Crank
- 126. Latch Spring
- 127. Lock Washer
- 128. Throwout Shaft Collar
- 129. Treadle Spring Plunger
- 130. Treadle Spring
- 131. Locking Bar Indicator
- 132. Locking Bar Pin
- 134. Throwout Housing
- 135. Locking Bar
- 136. Locking Bar Spring
- 137. Locking Bar End Collar
- 138. Cam Roller
- 140. End Collar Roll Pin
- 141. Housing Cover Fastening Screw
- 142. Washer
- 143. Cam Lever Roll Pin
- 144. Cam Lever Pin Nut
- 145. Lockwasher
- 146. Cam Roller Shaft Nut
- 147. Lockwasher
- 148. Latch Pin Cotter Pins

### Pneumatic Latch Bracket

- 1. Air Fitting
- 2. Cover Mounting Screw
- 3. Cylinder Cover
- 4. Cylinder Gasket
- 5. Piston
- 6. "O" Ring
- 134.A. Air Trip Cylinder  
(Special Throwout Housing)



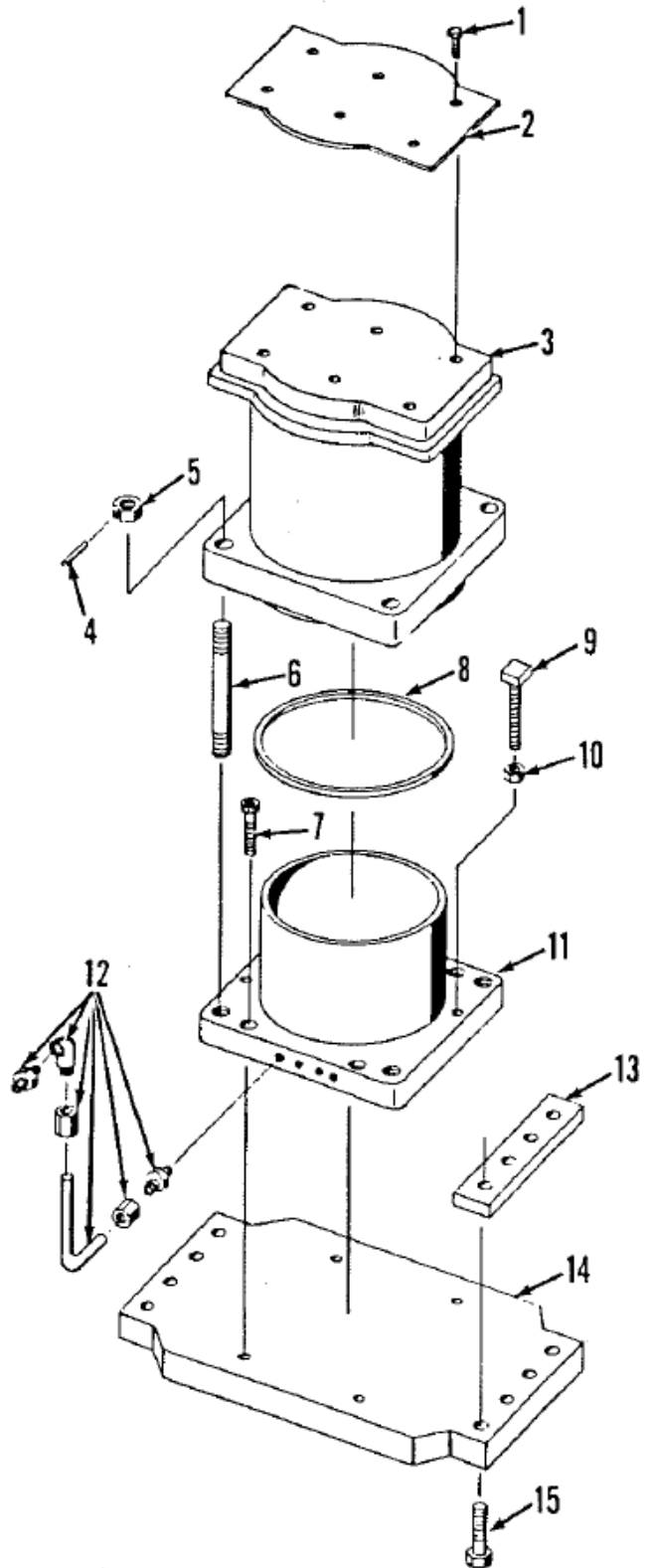


- 1. Key Dowel Pin
- 2. Guide Key
- 3. Mounting Screw
- 4. Rivet
- 5. Brake Lining
- 6. Dowel Pin
- 7. Brake Shoe
- 8. Spring
- 9. "O" Ring
- 10. Piston
- 11. Cylinder Cover
- 12. Cylinder
- 13. Under Mounting Screw
- 14. Over Mounting Screw

## 'C' TYPE CUSHION

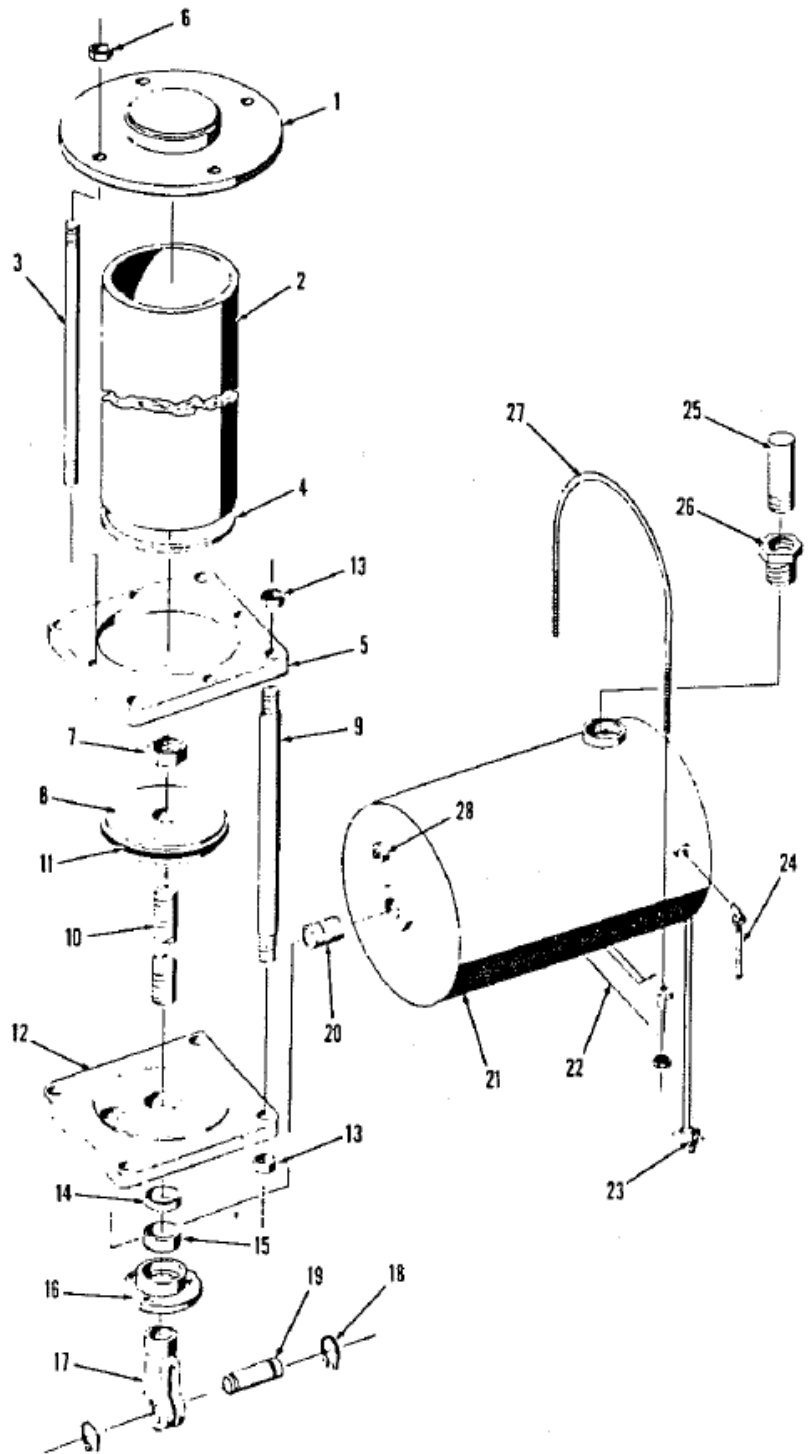
1. Bolt
2. Pressure Plate
3. Cylinder Head
4. Roll Pin
5. Nut
6. Stud
7. Capscrew
8. Packing
9. Square Head Set Screw
10. Nut
11. Cylinder
12. Lubrication Piping
13. Spacer
14. Cylinder Mounting Plate
15. Bolt

**WARNING**  
NEVER APPLY MORE THAN 5 PSI ON  
CUSHION WITH BOLSTER OFF PRESS  
OR WITH CUSHION OUT OF PRESS.

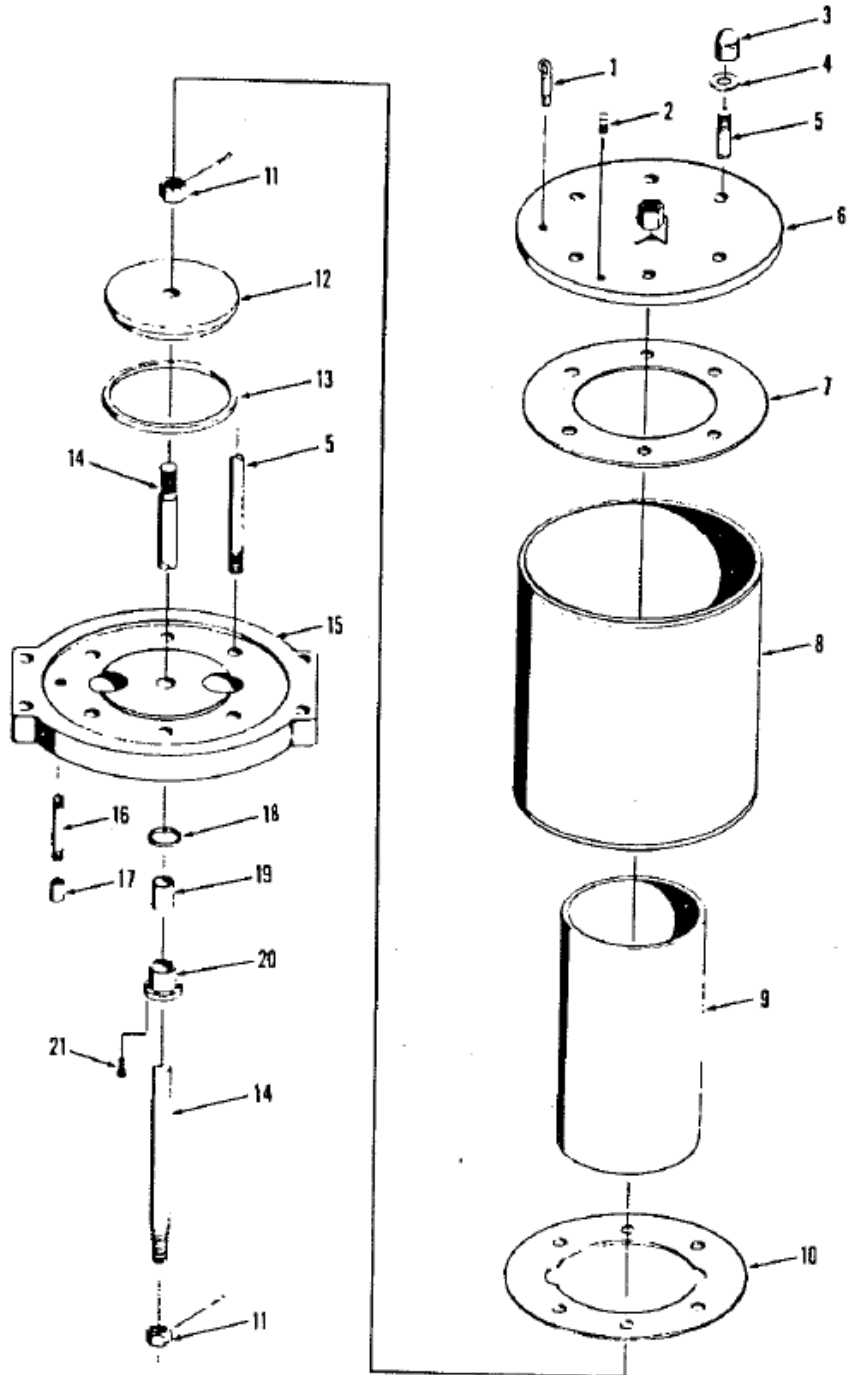


## AIR COUNTERBALANCE AND TANK

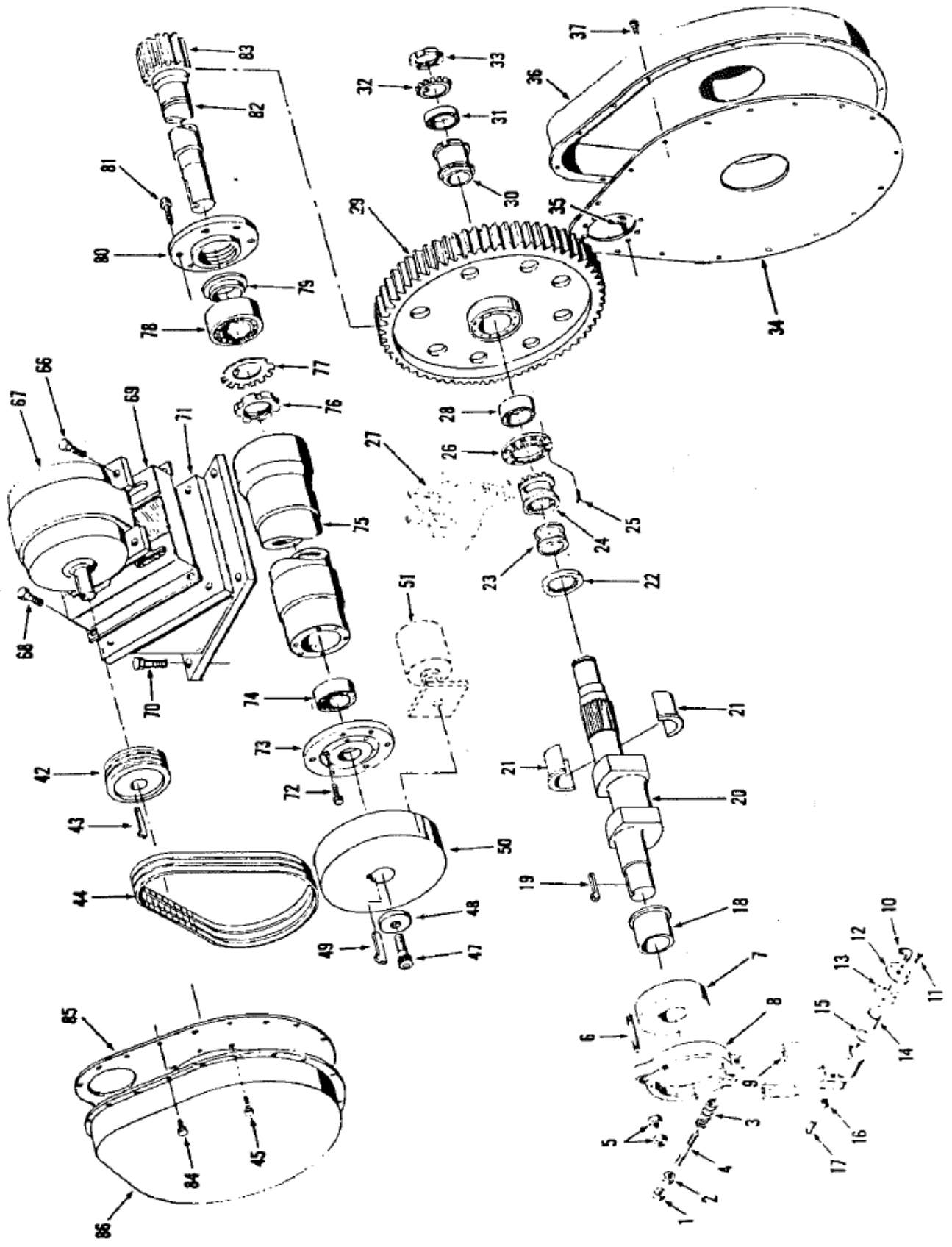
1. Cylinder Cap
2. Cylinder
3. Stud
4. Seal
5. Mounting Plate
6. Stud Nut
7. Piston Rod Nut
8. Piston
9. Tie Rod
10. Piston Rod
11. Piston Seal
12. Lower Cylinder Cover
13. Tie Rod Nut
14. Seal
15. Bushing
16. Packing Gland
17. Clevis
18. Retaining Ring
19. Clevis Pin
20. Piping
21. Air Tank
22. Tank Bracket
23. Petcock
24. Air Line
25. Safety Valve
26. Bushing
27. Tank Rod
28. Fusible Plug



# AIR COUNTERBALANCE, SELF CONTAINED



1. Safety Valve
2. Fusible Plug
3. Acorn Nut
4. Seal Washer
5. Tie Rod
6. Cylinder Cover
7. Upper Gasket
8. Counterbalance Outer Cylinder
9. Counterbalance Cylinder
10. Lower Gasket
11. Counterbalance Rod Nut
12. Piston
13. "U" Packing
14. Counterbalance Rod
15. Lower Cylinder Cap
16. Pipe Nipple
17. Pipe Coupling
18. "U" Packing
19. Bushing
20. Bushing Retainer
21. Bushing Retainer Screw



## GEARED PRESS DRIVE (A-75 & Larger)

- |   |   |
|---|---|
| <ol style="list-style-type: none"> <li>1. Brake Locknut</li> <li>2. Brake Adjusting Nut</li> <li>3. Brake Spring</li> <li>4. Brake Spring Stud</li> <li>5. Brake Mounting Nuts</li> <li>6. Brake Strap Mounting Stud</li> <li>7. Brake Collar</li> <li>8. Drag Brake Strap</li> <li>18. L. H. Bushing</li> <li>19. Brake Collar Key</li> <li>20. Crankshaft</li> <li>21. R. H. Split Bushing</li> <li>22. Clutch Cam</li> <li>23. Clutch Spring</li> <li>24. Clutch Sleeve</li> <li>25. Clutch Ring Mounting Bolt</li> <li>26. Clutch Ring</li> <li>27. Latch Bracket (See separate Parts List)</li> <li>28. Inner Bearing</li> <li>29. Gear</li> <li>30. Spacing Collar</li> <li>31. Outer Bearing</li> <li>32. Lockwasher</li> <li>33. Locknut</li> <li>34. Gear Guard Plate</li> <li>35. Plate Mounting Screw</li> <li>36. Gear Guard</li> <li>37. Guard Mounting Screw</li> <li>42. Sheave</li> <li>43. Motor Key</li> <li>44. Driving Bolt</li> <li>45. Guard Mounting Screw</li> <li>47. Washer Mounting Screw</li> <li>48. Clamp Washer</li> <li>49. Flywheel Key</li> </ol> | <ol style="list-style-type: none"> <li>50. Flywheel</li> <li>51. Flywheel Brake (Optional)</li> <li>66. Motor Mounting Screw</li> <li>67. Main Motor</li> <li>68. Base Mounting Screw</li> <li>69. Adjustable Motor Base</li> <li>70. Bracket Screw</li> <li>71. Motor Mounting Bracket</li> <li>72. Cover Screw</li> <li>73. L. H. Bearing Cover</li> <li>74. L. H. Bearing</li> <li>75. Driveshaft Tube</li> <li>76. Locknut</li> <li>77. Lockwasher</li> <li>78. R. H. Bearing</li> <li>79. Bearing Spacer</li> <li>80. R. H. Bearing Cover</li> <li>81. Cover Mounting Screw</li> <li>82. Driveshaft and Pinion</li> <li>83. Pinion (Alone)</li> <li>84. Plate Mounting Screw</li> <li>85. Guard Backplate</li> <li>86. Flywheel Guard</li> </ol> <p style="margin-top: 10px;"><b>Air Releasing Strap Brake Only</b></p> <ol style="list-style-type: none"> <li>9. Brake Strap</li> <li>10. Air Fitting</li> <li>11. Cylinder Cover Screw</li> <li>12. Cylinder Cover</li> <li>13. Cylinder Gasket</li> <li>14. Piston</li> <li>15. "O" Ring</li> <li>16. Locknut</li> <li>17. Adjusting Screw</li> </ol> |
|---|---|