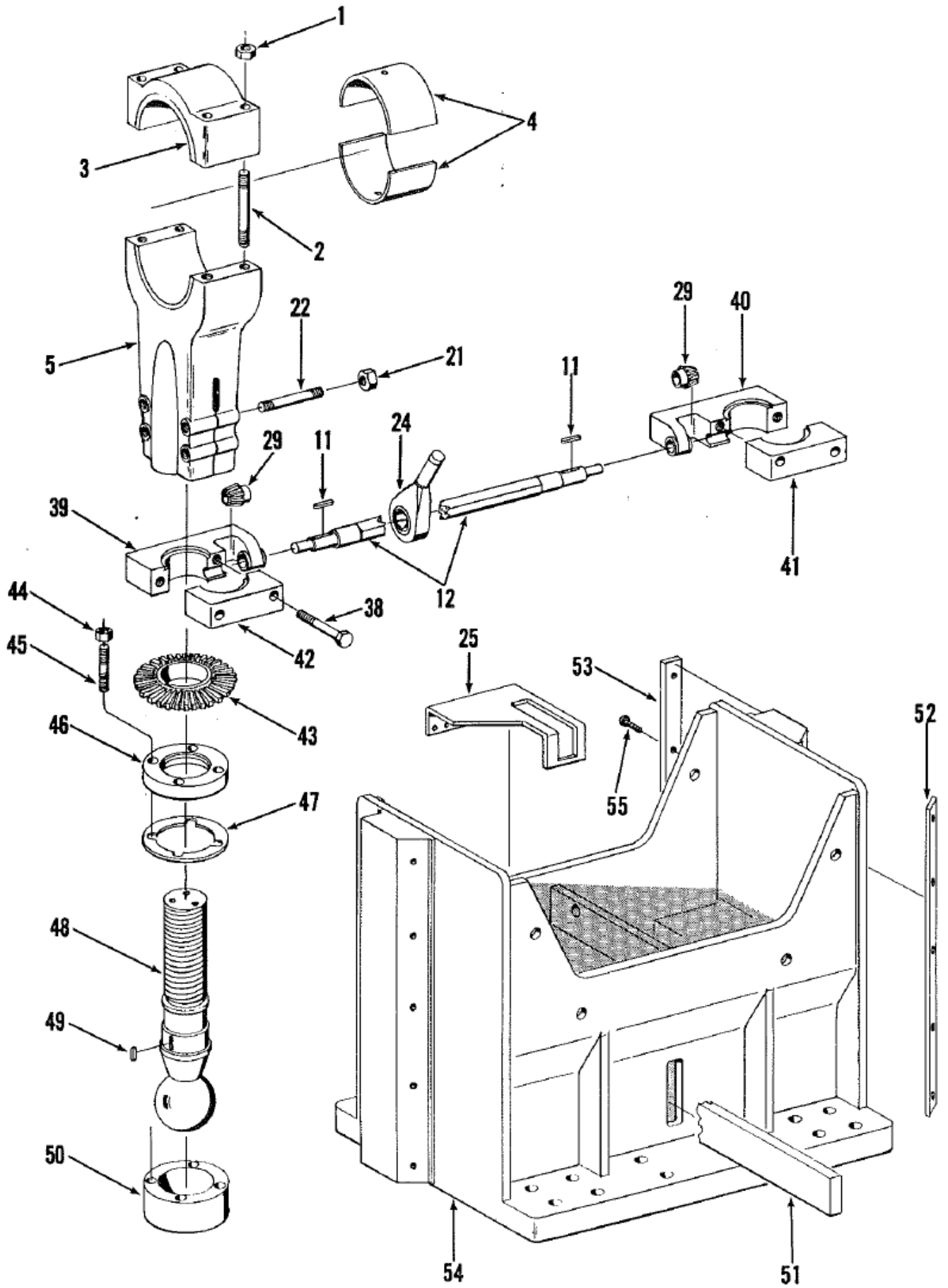


FRAME

1. Knockout Holder
2. Knockout Rod
3. Operator's Station
4. Gib Lock Screw
5. Washer
6. Adjusting Nut
7. Adjusting Screw
8. Gib Screw
9. Front R. H. Gib
10. Front L. H. Gib
11. Rear Gib
12. Control Box
13. Gear Guard
14. Gear Guard Plate
15. Belt Guard (Geared presses only)
16. Driving Belt
17. Motor Pulley
18. Motor Key
19. Main Motor
20. Motor Adjusting Screw
21. Locknut
22. Hinge Pin
23. Motor Plate
24. Motor Plate Bracket (Design may vary)
25. Bolster Plate
30. Frame

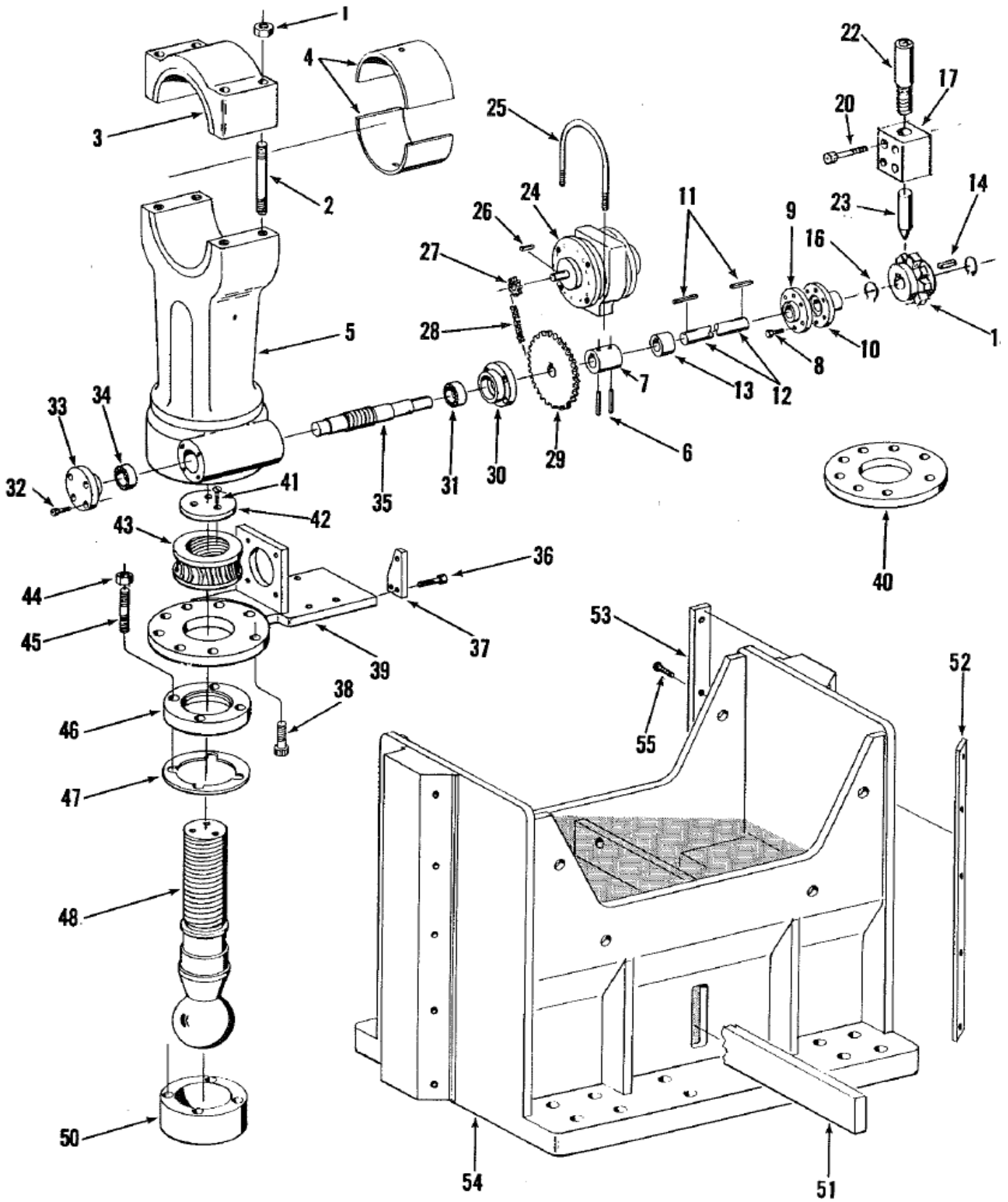
B - I Models only

26. Hex Nut
27. Washer
28. Positioning Stud
29. Pivot Stud
31. L. H. Leg
32. R. H. Leg (not shown)
33. Inclining Nut
34. Inclining Bearing
35. Screw Pin
36. Inclining Screw
37. Hex Nut
38. Bracket Screw
39. Inclining Bracket



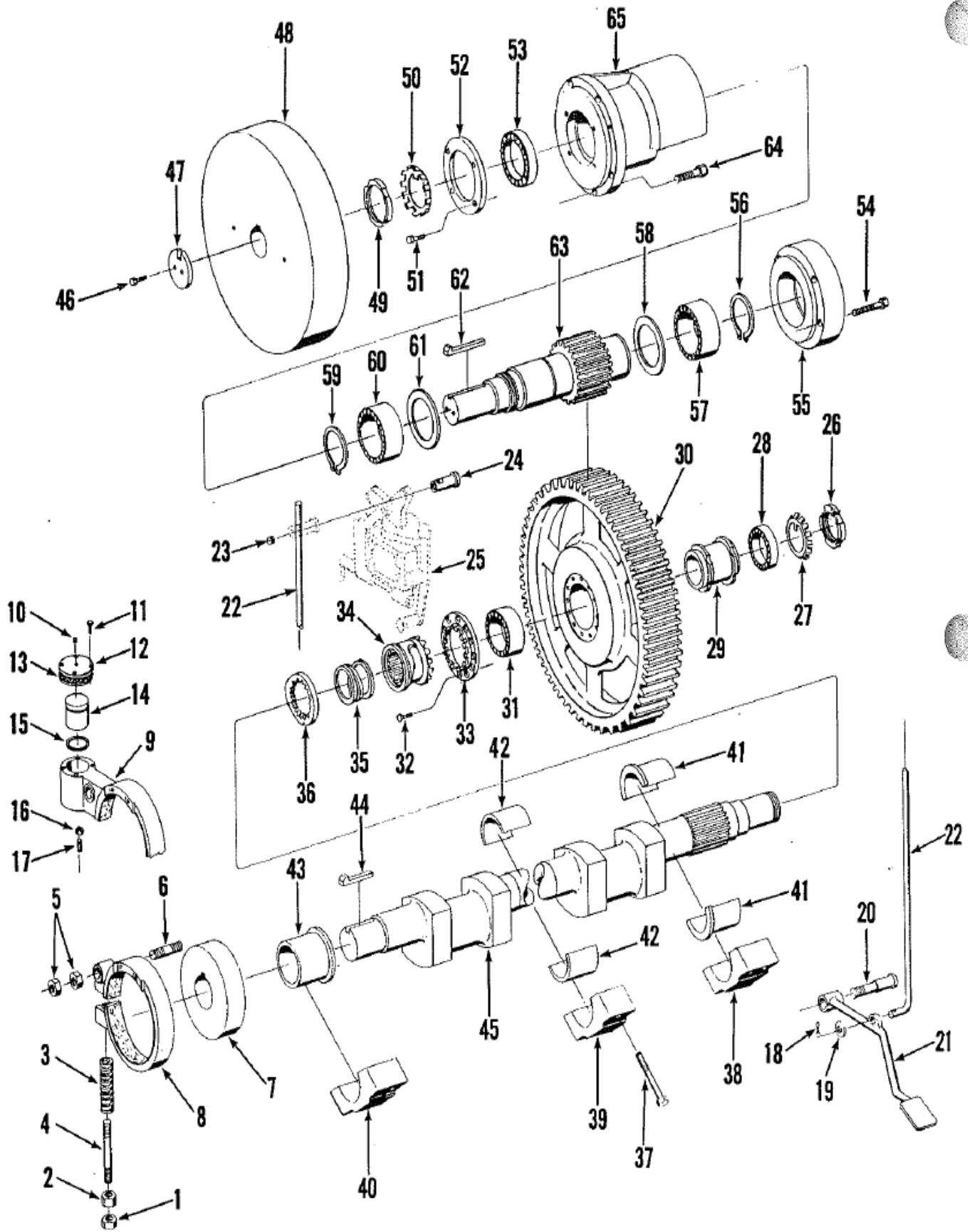
MANUALLY ADJUSTABLE SLIDE ASSEMBLY

1. Stud Nut
2. Connection Cap Stud
3. Connection Cap
4. Connection Bushing
5. L. H. Connection
- 5-A R. H. Connection (not shown)
11. Adjusting Shaft Key
12. Adjusting Shaft
21. Clamping Stud Nut
22. Clamping Stud
24. Adjusting Ratchet Wrench
25. Wrench Guide
29. Slide Adjusting Pinion
38. Adjusting Bracket Screw
39. L. H. Adjusting Bracket
40. R. H. Adjusting Bracket
41. R. H. Adjusting Bracket Cap
42. L. H. Adjusting Bracket Cap
43. Adjusting Gear
44. Stud Nut
45. Ball Cap Stud
46. Connection Ball Cap
47. Connection Ball Shim
48. L. H. Connection Ball Screw
- 48-A R. H. Connection Ball Screw (not shown)
49. Adjusting Gear Key
50. Connection Ball Seat
51. Knockout Bar
52. Front Slide Lever
53. Rear Slide Lever
54. Slide
55. Liner Fastening Screw



POWER ADJUSTABLE SLIDE ASSEMBLY

1. Stud Nut
2. Connection Cap Stud
3. Connection Cap
4. Connection Bushing
5. L. H. Connection
- 5-A R. H. Connection (Not Shown)
6. Roll Pins
7. Sleeve Coupling
8. Coupling Screw
9. L. H. Coupling Half
10. R. H. Coupling Half
11. Adjusting Shaft Key
12. Adjusting Shaft
13. Adj. Locking Pinion
14. Key
16. Retainer Ring
17. Locking Pin Bracket
20. Mounting Screw
22. Air Cylinder
23. Locking Pin
24. Air Motor
25. Motor Strap
26. Motor Key
27. Driving Sprocket
28. Chain
29. Driven Sprocket
30. Inside Bearing Retainer
31. Inside Bearing
32. Retaining Screw
33. Outside Bearing Retainer
34. Outside Bearing
35. L. H. Slide Adjusting Worm
- 35-A R. H. Slide Adjusting Worm (Not Shown)
36. Bracket Screw
37. Brake Bracket
38. Retainer Screw
39. L. H. Worm Gear Retainer
40. R. H. Worm Gear Retainer
41. Retaining Screw
42. Ball Screw Cap
43. L. H. Adjusting Worm Gear
- 43-A R. H. Adjusting Worm Gear (Not Shown)
44. Stud Nut
45. Ball Cap Stud
46. Connection Ball Cap
47. Connection Ball Shim
48. L. H. Connection Ball Screw
- 48-A R. H. Connection Ball Screw (Not Shown)
50. Connection Ball Seat
51. Knockout Bar
52. Front Slide Liner
53. Rear Slide Liner
54. Slide
55. Liner Fastening Screw



DRIVE - MECHANICAL SLEEVE CLUTCH

Plain and Geared Press

1. Brake Locknut
2. Brake Adjusting Nut
3. Brake Spring
4. Brake Spring Stud
5. Brake Mounting Nuts
6. Brake Strap Mounting Stud
7. Brake Collar
25. Latch Bracket (See separate Part List)
26. Locknut
27. Lockwasher
28. Outer Gearwheel Bearing
29. Spacing Collar
30. Gearwheel (Flywheel on Plain Press)
31. Inner Gearwheel Bearing
32. Clutch Ring Mounting Bolt
33. Clutch Ring
34. Clutch Sleeve
35. Clutch Spring
36. Clutch Cam
37. Bearing Cap Screw
38. R. H. Main Bearing Cap
39. Center Main Bearing Cap
40. L. H. Main Bearing Cap
41. R. H. Main Bearing
42. Center Main Bearing
43. L. H. Main Bearing
44. Brake Collar Key
45. Crank Shaft

Treadle Operated only

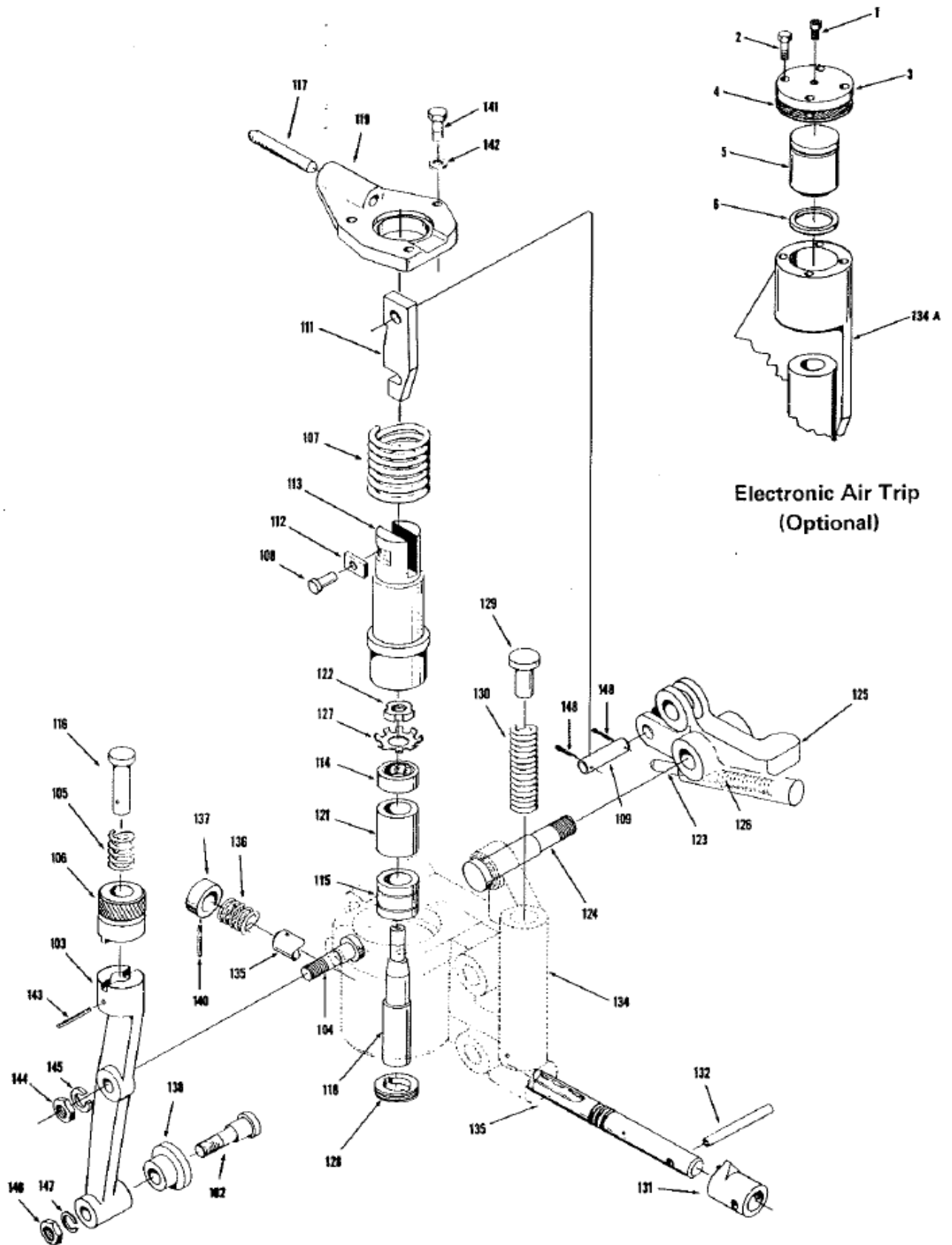
8. Drag Brake Strap
18. Cotter Pin
19. Washer
20. Treadle Stud
21. Foot Treadle
22. Treadle Rod
23. Set Screw
24. Treadle Rod Pin

Air Releasing Strap Brake only

9. Brake Strap
10. Air Fitting
11. Cylinder Cover Screw
12. Cylinder Cover
13. Cylinder Gasket
14. Piston
15. "O" Ring
16. Locknut
17. Adjusting Screw

Geared Press only

46. Washer Screw
47. Flywheel Clamping Washer
48. Flywheel
49. Locknut
50. Lockwasher
51. Retainer Screw
52. Bearing Retainer
53. Flywheel Support Bearing
54. Bearing Cap Screw
55. Bearing Cap
56. Retaining Ring
57. Outer Driveshaft Bearing
58. Outer Bearing Seal
59. Retaining Ring
60. Inner Driveshaft Bearing
61. Inner Bearing Seal
62. Flywheel Key
63. Driveshaft
64. Drive Support Screw
65. Drive Support



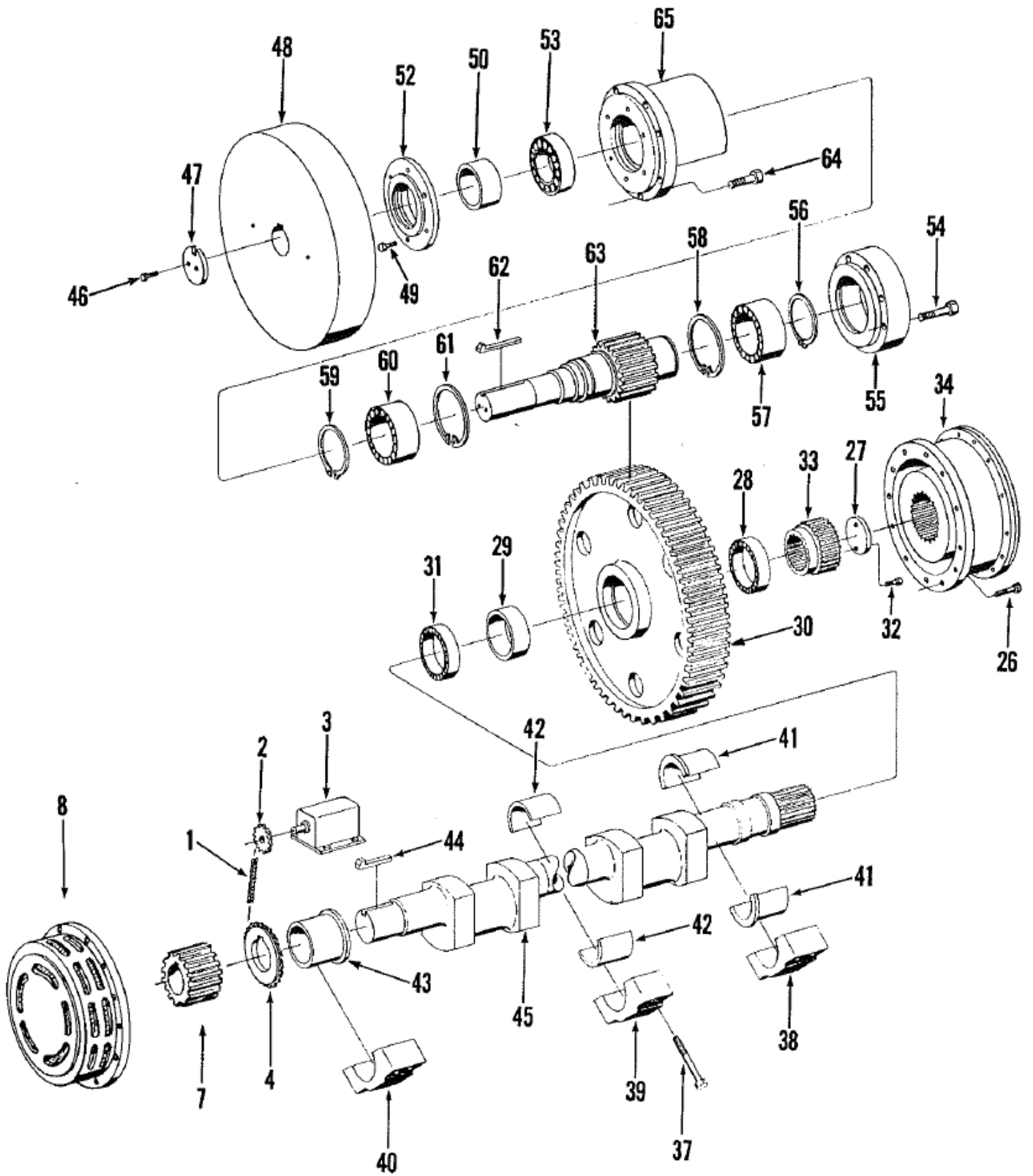
Electronic Air Trip
(Optional)

LATCH BRACKET ASSEMBLY

All Mechanical Sleeve Clutch Models

- 102. Cam Roller Shaft
- 103. Cam Lever
- 104. Cam Lever Pin
- 105. Selector Knob Spring
- 106. Selector Knob
- 107. Throwout Spring
- 108. Throwout Pin
- 109. Latch Pin
- 111. Latch
- 112. Throwout Key
- 113. Throwout
- 114. Throwout Ball Bearing
- 115. Throwout Needle Bearing
- 116. Selector Knob Pin
- 117. Sliding Pin
- 118. Throwout Shaft
- 119. Throwout Housing Cover
- 121. Spacing Collar
- 122. Lock Nut
- 123. Latch Spring Pin
- 124. Bell Crank Pin
- 125. Bell Crank
- 126. Latch Spring
- 127. Lock Washer
- 128. Throwout Shaft Collar
- 129. Treadle Spring Plunger
- 130. Treadle Spring
- 131. Locking Bar Indicator
- 132. Locking Bar Pin
- 134. Throwout Housing
- 135. Locking Bar
- 136. Locking Bar Spring
- 137. Locking Bar End Collar
- 138. Cam Roller
- 140. End Collar Roll Pin
- 141. Housing Cover Fastening Screw
- 142. Washer
- 143. Cam Lever Roll Pin
- 144. Cam Lever Pin Nut
- 145. Lockwasher
- 146. Cam Roller Shaft Nut
- 147. Lockwasher
- 148. Latch Pin Cotter Pins

Electronic Air Trip (Optional)



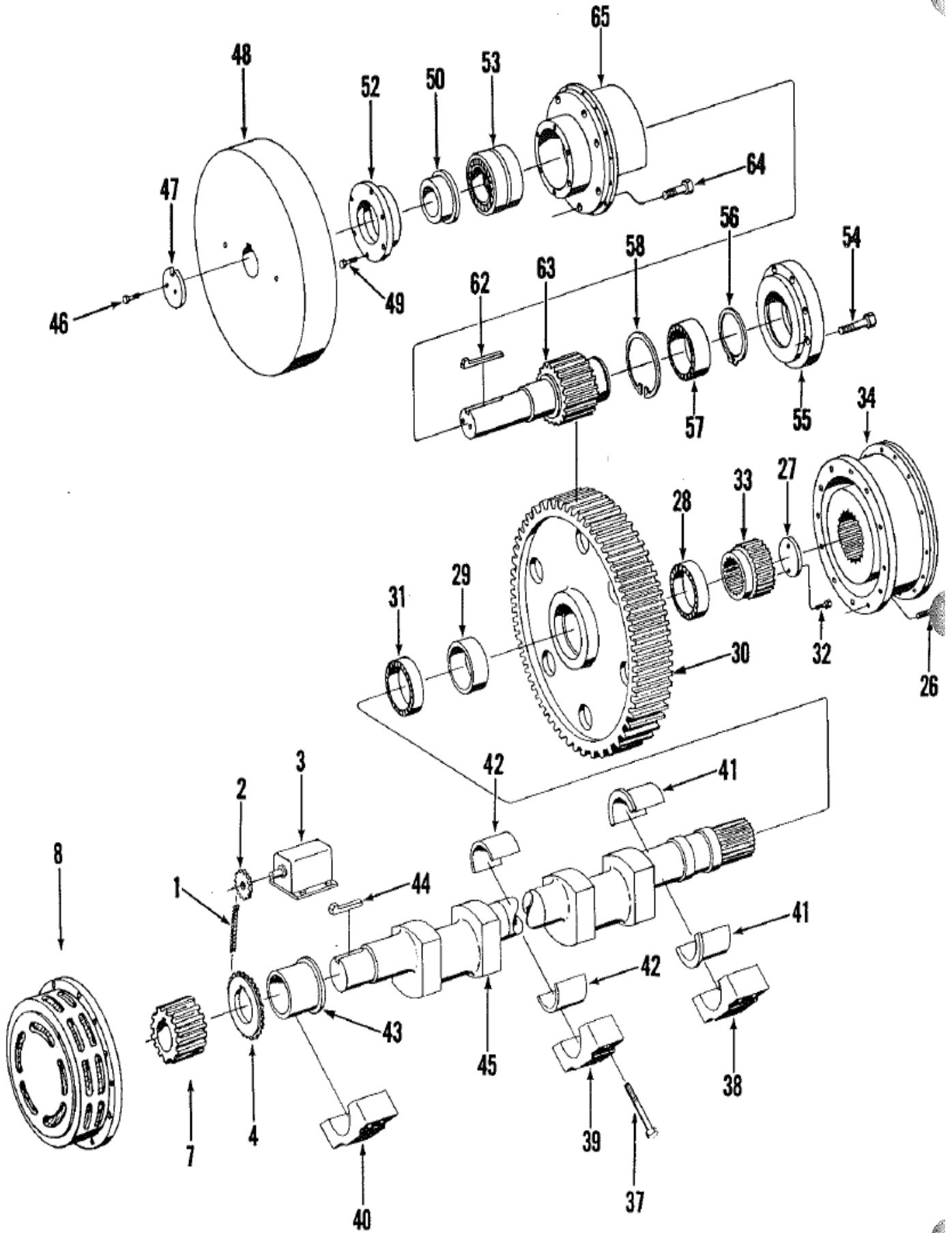
DRIVE - AIR FRICTION CLUTCH
(All models except B - 4 and BI - 4)

Plain and Geared Presses

1. Limit Switch Chain
2. Limit Switch Sprocket
3. Limit Switch
4. Crankshaft Sprocket
7. Brake Hub
8. Disc Brake (See Separate Parts List)
26. Clutch Mounting Screw
27. Hub Clamping Washer
28. Outer Gearwheel Bearing
29. Spacer
30. Gearwheel (Flywheel on Plain Press)
31. Inner Gearwheel Bearing
32. Washer Screw
33. Clutch Hub
34. Air Friction Clutch (See Separate Parts List)
37. Bearing Cap Screw
38. R. H. Main Bearing Cap
39. Center Main Bearing Cap
40. L. H. Main Bearing Cap
41. R. H. Main Bearing
42. Center Main Bearing
43. L. H. Main Bearing
44. Brake Collar Key
45. Crank Shaft

Geared Press Only

46. Washer Screw
47. Flywheel Clamping Washer
48. Flywheel
49. Capscrew
50. Spacer
52. Bearing Retainer
53. Flywheel Support Bearing
54. Bearing Cap Screw
55. Bearing Cap
56. Retaining Ring
57. Outer Driveshaft Bearing
58. Retaining Ring
59. Retaining Ring
60. Inner Driveshaft Bearing
61. Retaining Ring
62. Flywheel Key
63. Drive Shaft
64. Drive Support Screw
65. Drive Support



DRIVE - AIR FRICTION CLUTCH
(Models B - 4 and BI - 4 only)

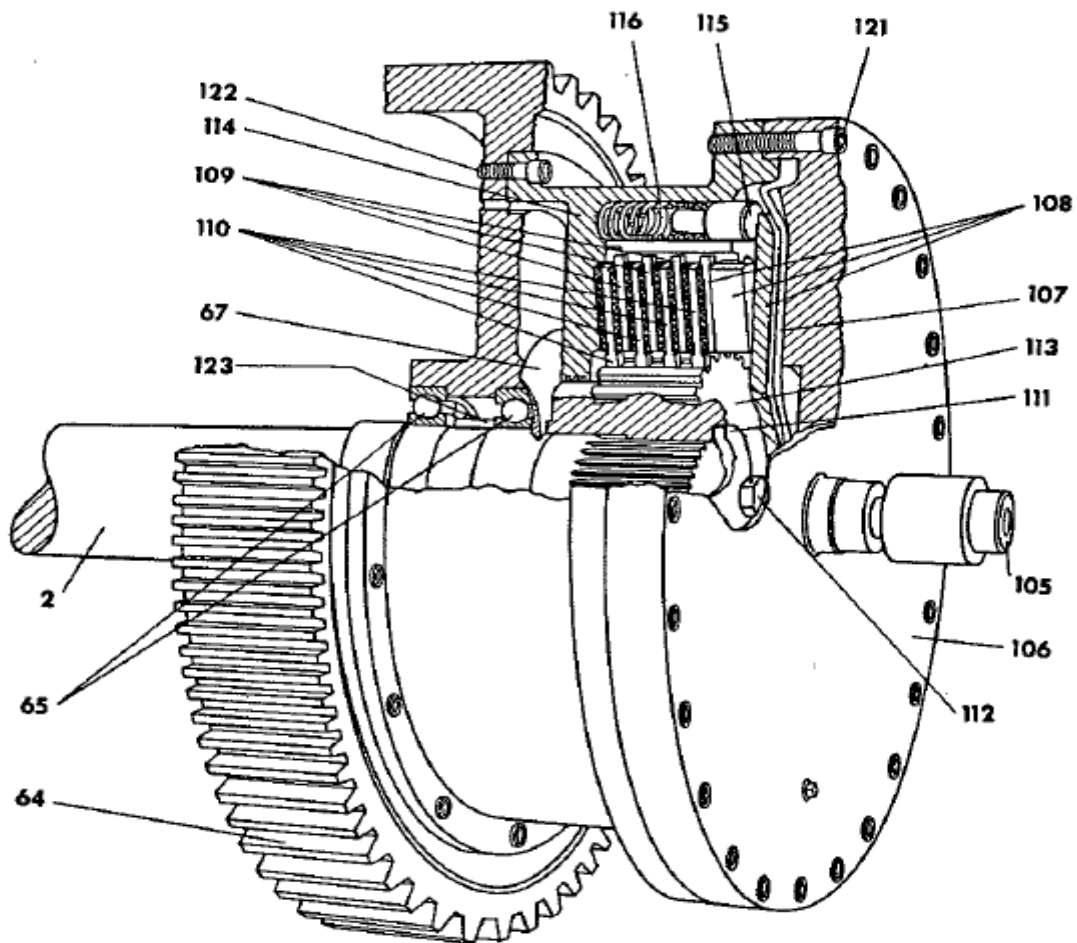
Plain and Geared Presses

1. Limit Switch Chain
2. Limit Switch Sprocket
3. Limit Switch
4. Crankshaft Sprocket
7. Brake Hub
8. Disc Brake (See Separate Parts List)
26. Clutch Mounting Screw
27. Hub Clamping Washer
28. Outer Gearwheel Bearing
29. Spacer
30. Gearwheel (Flywheel on Plain Press)
31. Inner Gearwheel Bearing
32. Washer Screw
33. Clutch Hub
34. Air Friction Clutch (See Separate Parts List)
37. Bearing Cap Screw
38. R. H. Main Bearing Cap
39. Center Main Bearing Cap
40. L. H. Main Bearing Cap
41. R. H. Main Bearing
42. Center Main Bearing
43. L. H. Main Bearing
44. Brake Collar Key
45. Crankshaft

Geared Presses Only

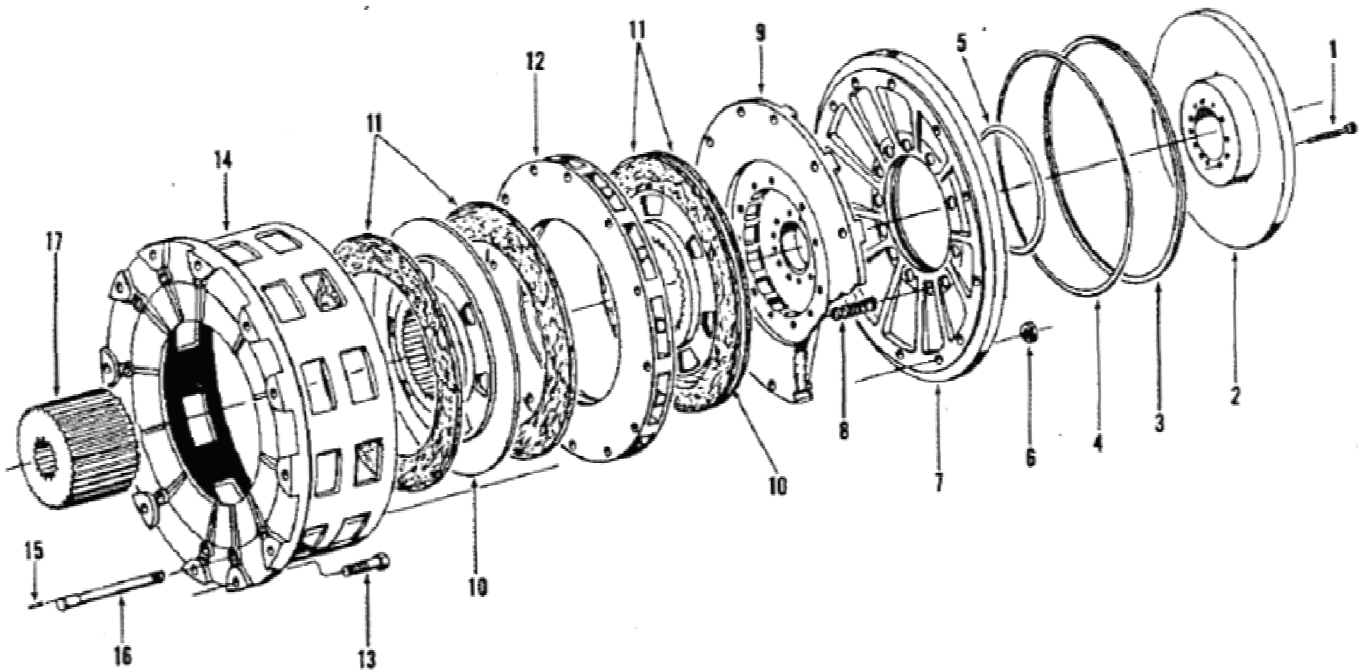
46. Washer Screw
47. Flywheel Clamping Washer
48. Flywheel
49. Capscrew
50. Spacer
52. Bearing Retainer
53. Flywheel Support Bearing
54. Bearing Cap Screw
55. Bearing Cap
56. Retaining Ring
57. Driveshaft Bearing
58. Retaining Ring
62. Flywheel Key
63. Driveshaft
64. Drive Support Screw
65. Drive Support

AIR FRICTION CLUTCH



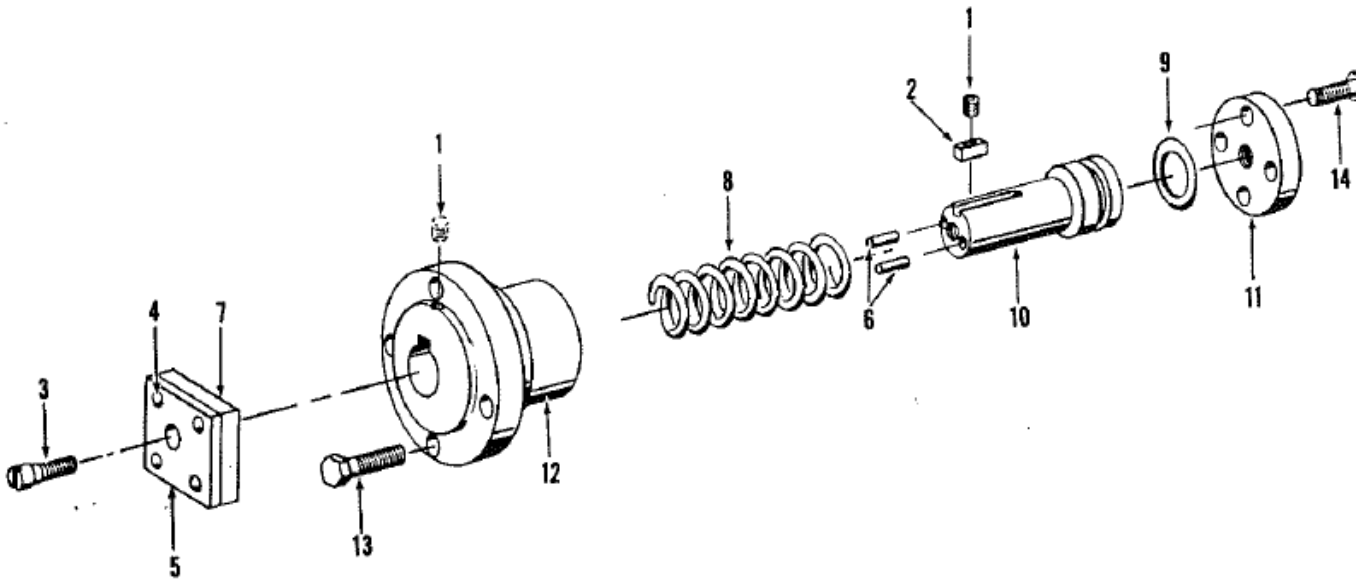
- 2. Crankshaft
- 64. Gearwheel or Flywheel
- 65. Gearwheel Ball Bearings
- 67. Clutch Oil Slinger
- 105. Rotary Air Seal
- 106. Clutch Cylinder
- 107. Clutch Diaphragm
- 108. Push Plate Assembly
- 109. Outer Clutch Plates
- 110. Inner Clutch Plates with Bonded Linings
- 111. Driving Hub Retainer
- 112. Hex Head Capscrew
- 113. Driving Hub
- 114. Clutch Housing
- 115. Spring Plungers
- 116. Springs
- 121. Cylinder Screws
- 122. Clutch Housing Screws
- 123. Bearing Spacer

AIR RELEASING DISC BRAKE



1. Piston Screw
2. Piston
3. Piston Dust Seal
4. Piston Ring (outer)
5. Piston Ring (inner)
6. Cylinder Stud Nut
7. Cylinder
8. Spring
9. Pressure Plate
10. Brake Disc
11. Brake Lining
12. Center Plate
13. Brake Ring Mounting Screw
14. Brake Ring
15. Brake Stud Pin
16. Brake Stud
17. Brake Hub
18. Lining Rivet (not shown)

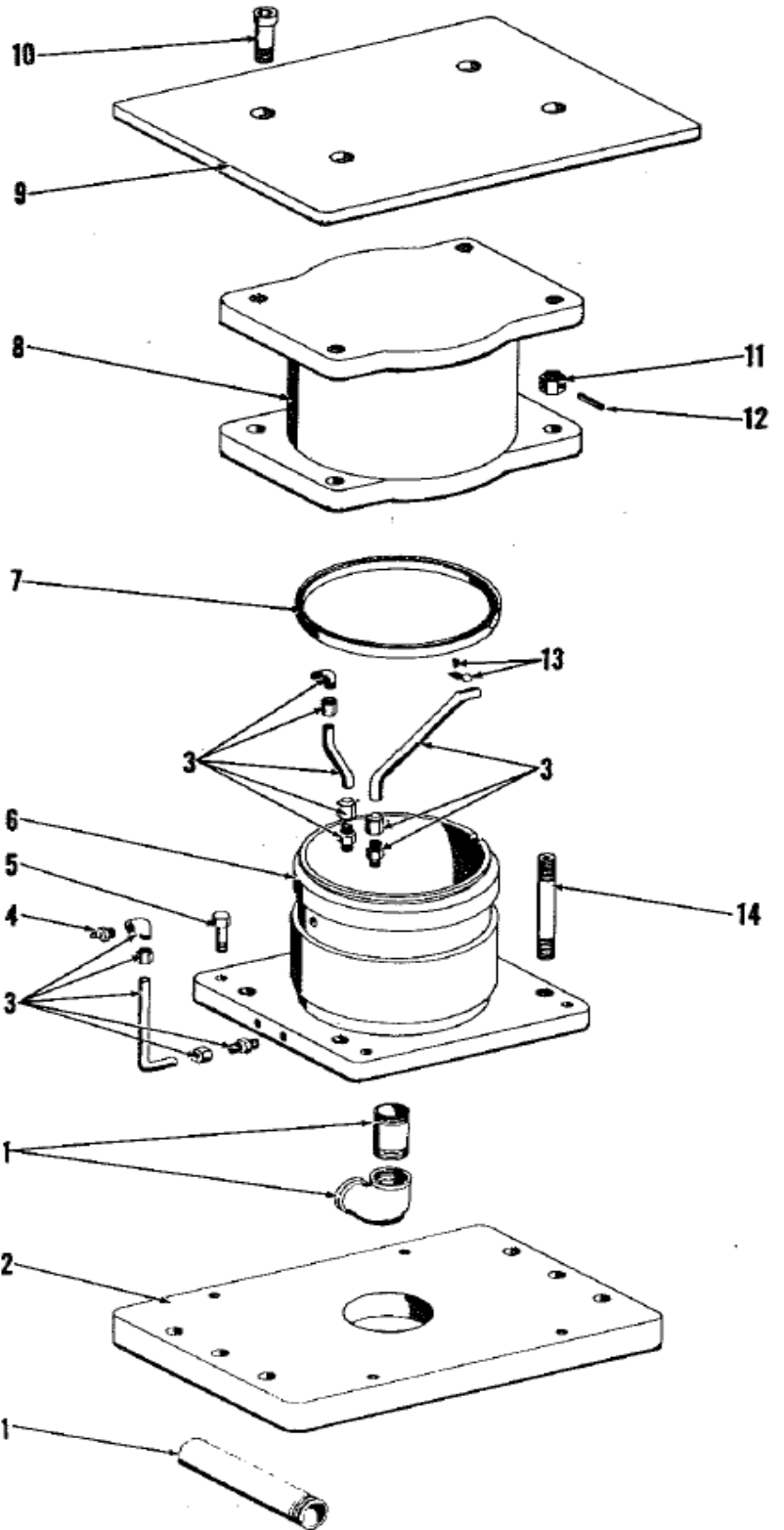
FLYWHEEL BRAKE (Optional)



1. Key Dowel Pin
2. Guide Key
3. Mounting Screw
4. Rivet
5. Brake Lining
6. Dowel Pin
7. Brake Shoe
8. Spring
9. "O" Ring
10. Piston
11. Cylinder Cover
12. Cylinder
13. Cylinder Mounting Screw
14. Cover Mounting Screw

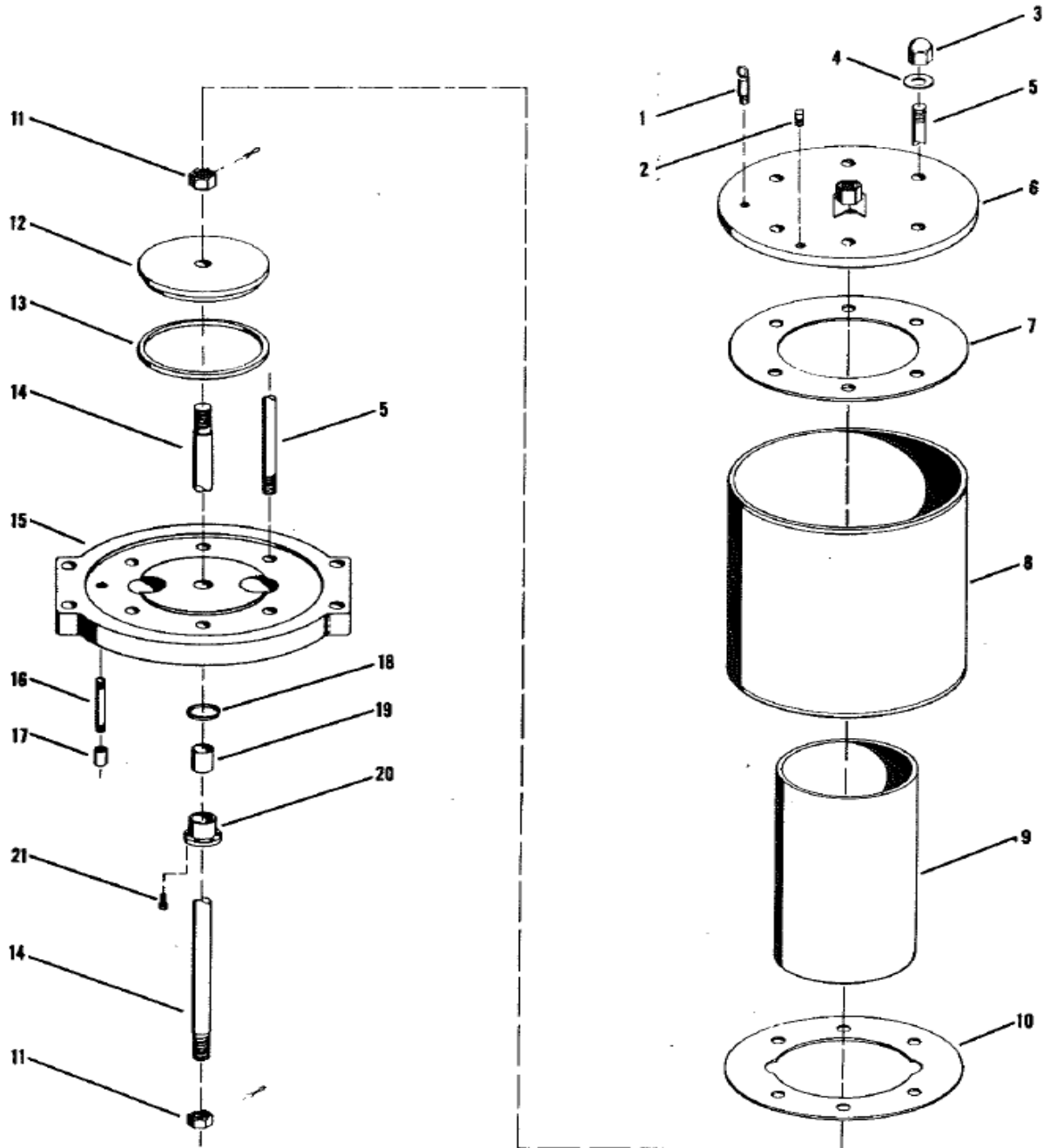
"C" TYPE CUSHION (optional)

WARNING:
NEVER APPLY MORE THAN 5 PSI ON
CUSHION WITH BOLSTER OFF PRESS OR
WITH CUSHION OUT OF PRESS.



1. Air Piping (Furnished by Customer)
2. Mounting Plate
3. Lubrication Piping
4. Oil Fitting
5. Cylinder Mounting Screw
6. Cylinder
7. "U" Packing
8. Piston
9. Pressure Plate
10. Pressure Plate Mounting Screw
11. Stop Nut
12. Roll Pin
13. Lube Pipe Clip and Screw
14. Positive Stop Stud

AIR COUNTERBALANCE , SELF CONTAINED (Optional)



1. Safety Valve
2. Fusible Plug
3. Nut
4. Seal Washer
5. Tie Rod
6. Cylinder Cover
7. Upper Gasket
8. Counterbalance Outer Cylinder
9. Counterbalance Cylinder
10. Lower Gasket
11. Counterbalance Rod Nut

12. Piston
13. "U" Packing
14. Counterbalance Rod
15. Lower Cylinder Cap
16. Pipe Nipple
17. Pipe Coupling
18. "U" Packing
19. Bushing
20. Bushing Retainer
21. Bushing Retainer Screw

AIR COUNTERBALANCE AND TANK

