

FRAME

All Models

1. Gear Case Cover
2. Cover Gasket
3. Counterbalance (See separate parts list)
4. Front Bearing Housing (See Drive parts list)
5. Drive (See separate parts list)
6. Connection (See separate parts list)
7. Slide (See separate parts list)
8. Gib Adjusting Screw
9. Gib Adjusting Nut
10. Frame

Adjustable Bed Models Only

31. Frame
32. Bolster
33. Table
34. Adjusting Screw
35. Jam Nut
36. Clamp Bar Or Washer
37. Clamp Screw
38. Clamp Nut

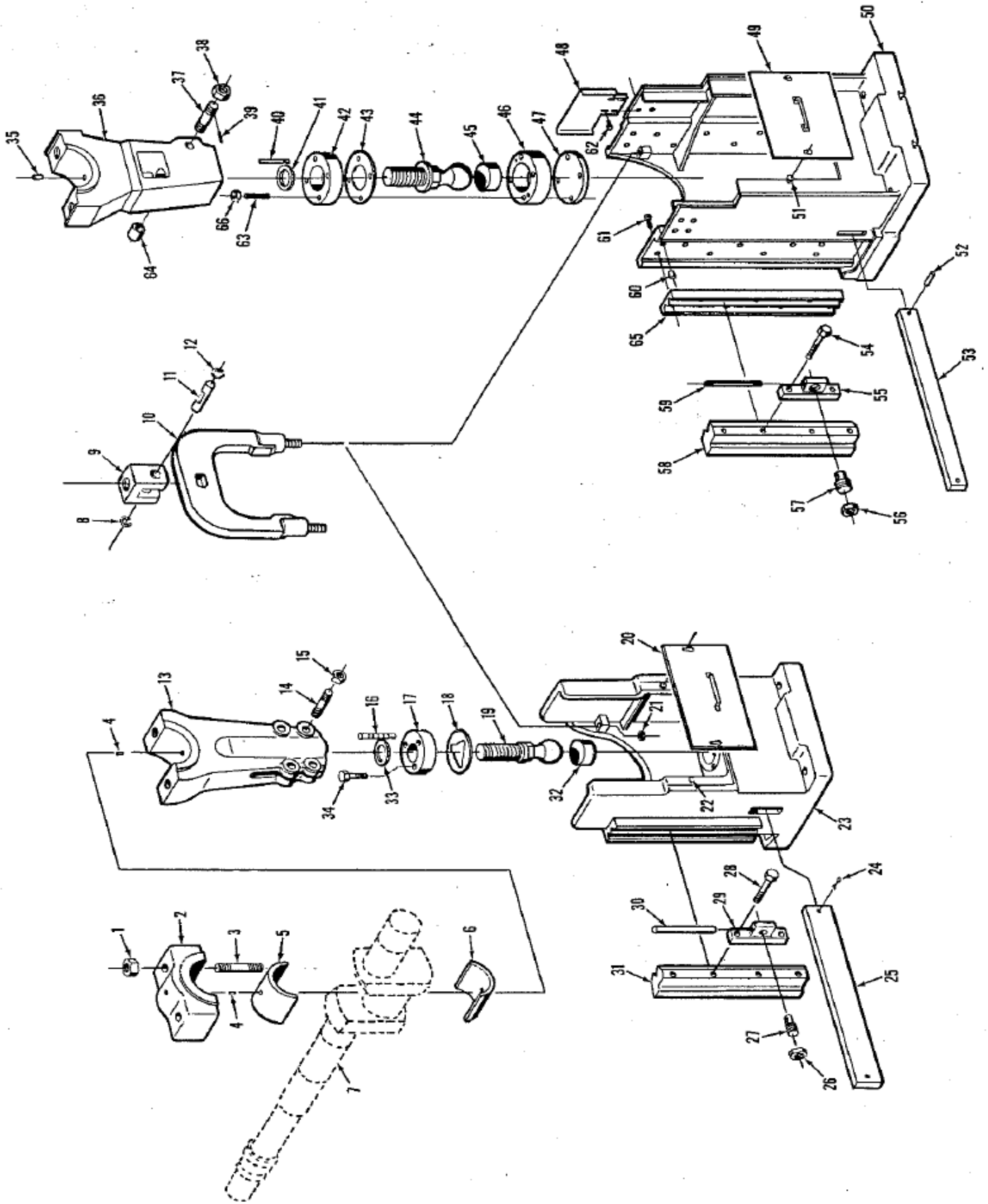
Inclinable Models Only

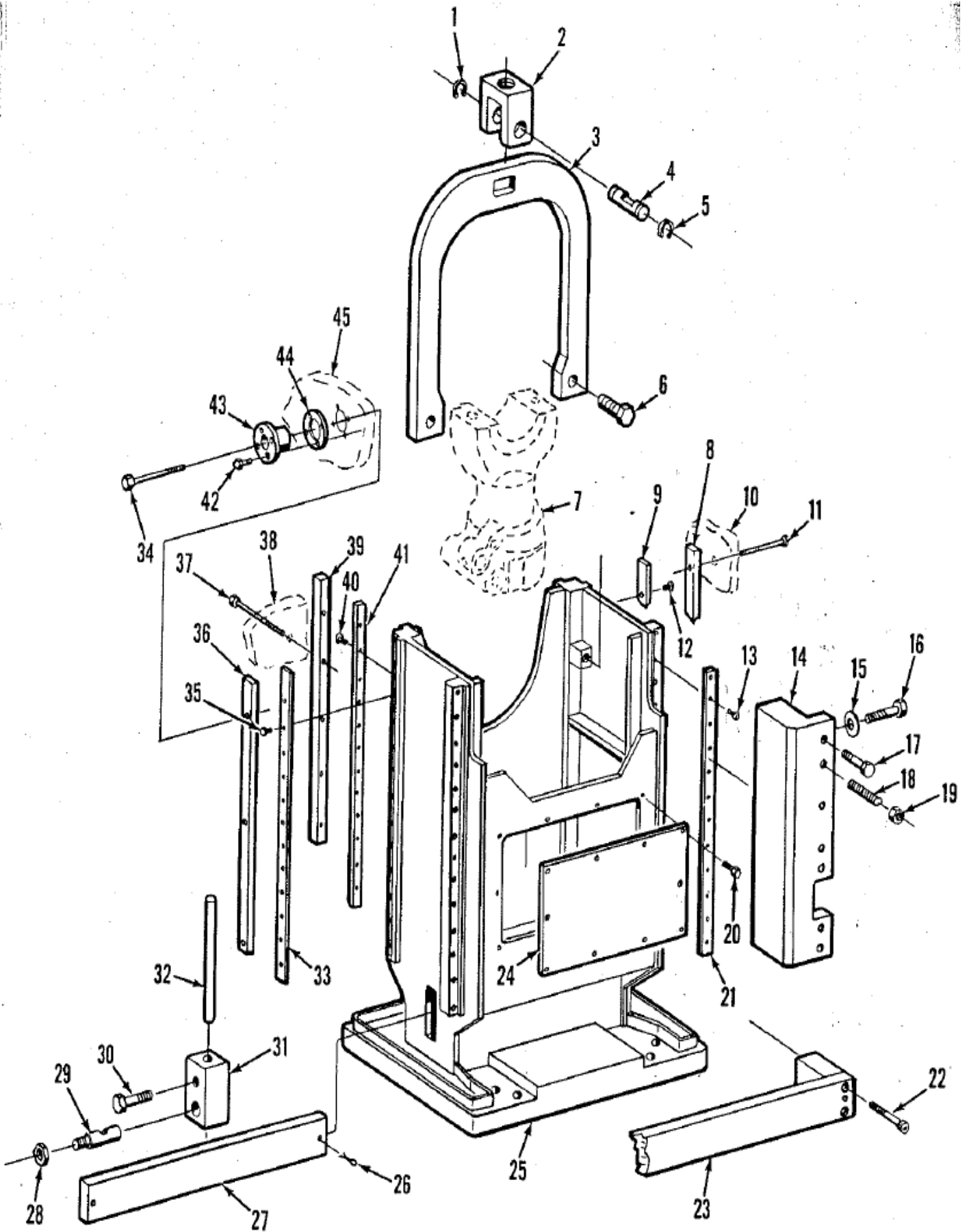
11. Bolster
12. Leg (L.H. shown)
13. Pivot Bolt
14. Nut
15. Leg Bolt
16. Nut
17. Tie Rod
18. Tie Rod Nut

Inclinable Options

19. Inclining Bracket
20. Bracket Stud
21. Nut
22. Inclining Screw Pin
23. Retainer Ring
24. Inclining Screw Nut
25. Thrust Bearing
26. Inclining Screw
27. Adjusting Motor
28. Worm Gear Jack
29. Valve Bracket
30. Hand Operated Valve
39. Motor Coupling (When Used)

Power
Only





SLIDES AND CONNECTIONS E-45, E-60 and E-75

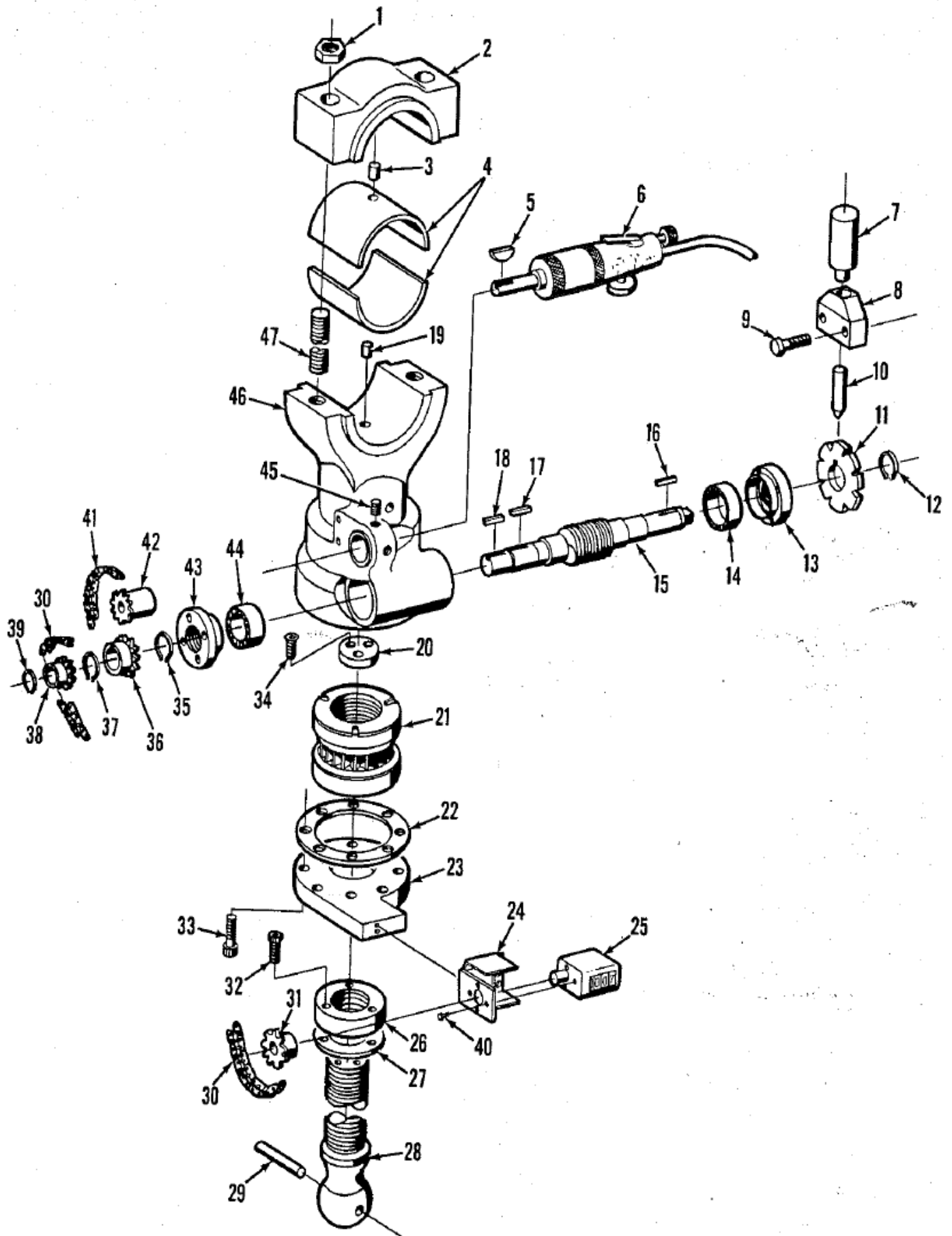
E75

35. Dowel Pin
36. Connection
37. Clamping Stud
38. Nut
39. Pin
40. Slide Scale
41. Slide Gage
42. Connection Ball Cap
43. Shim
44. Connection Ball Screw
45. Ball Seat Insert
46. Ball Seat
47. Ball Seat Base
48. Oil Deflector (R.H. Shown)
49. Slide Cover
50. Slide
51. Shoulder Bolt
52. Pin
53. Knockout Bar
54. Bracket Mounting Screw
55. Knockout Bracket
56. Clamp Nut
57. Knockout Clamp
58. Gib (L.H. Shown)
59. Knockout Pin
60. Dowel Pin
61. Screw
62. Screw
63. Ball Cap Stud
64. Clamp Plug
65. Gib Insert
66. Nut

1. Nut
 2. Connection Cap
 3. Connection Cap Stud
 4. Dowel Pin
 5. Connection Bushing
 6. Connection Bushing
 7. Crankshaft
 8. Retaining Ring
 9. Counterbalance Clevis
 10. Yoke
 11. Clevis Pin
 12. Retaining Ring
- ### E45 & 60
13. Connection
 14. Clamping Stud
 15. Nut
 16. Slide Indication Scale
 17. Connection Ball Cap
 18. Shim
 19. Connection Ball Screw
 20. Slide Cover
 21. Nut
 22. Shoulder Bolt
 23. Slide
 24. Cotter Pin
 25. Knockout Bar
 26. Clamp Nut
 27. Knockout Clamp
 28. Bracket Mounting Screw
 29. Knockout Bracket
 30. Knockout Pin
 31. Gib (L.H. Shown)
 32. Ball Seat Insert
 33. Slide Indication Gage
 34. Ball Cap Screw

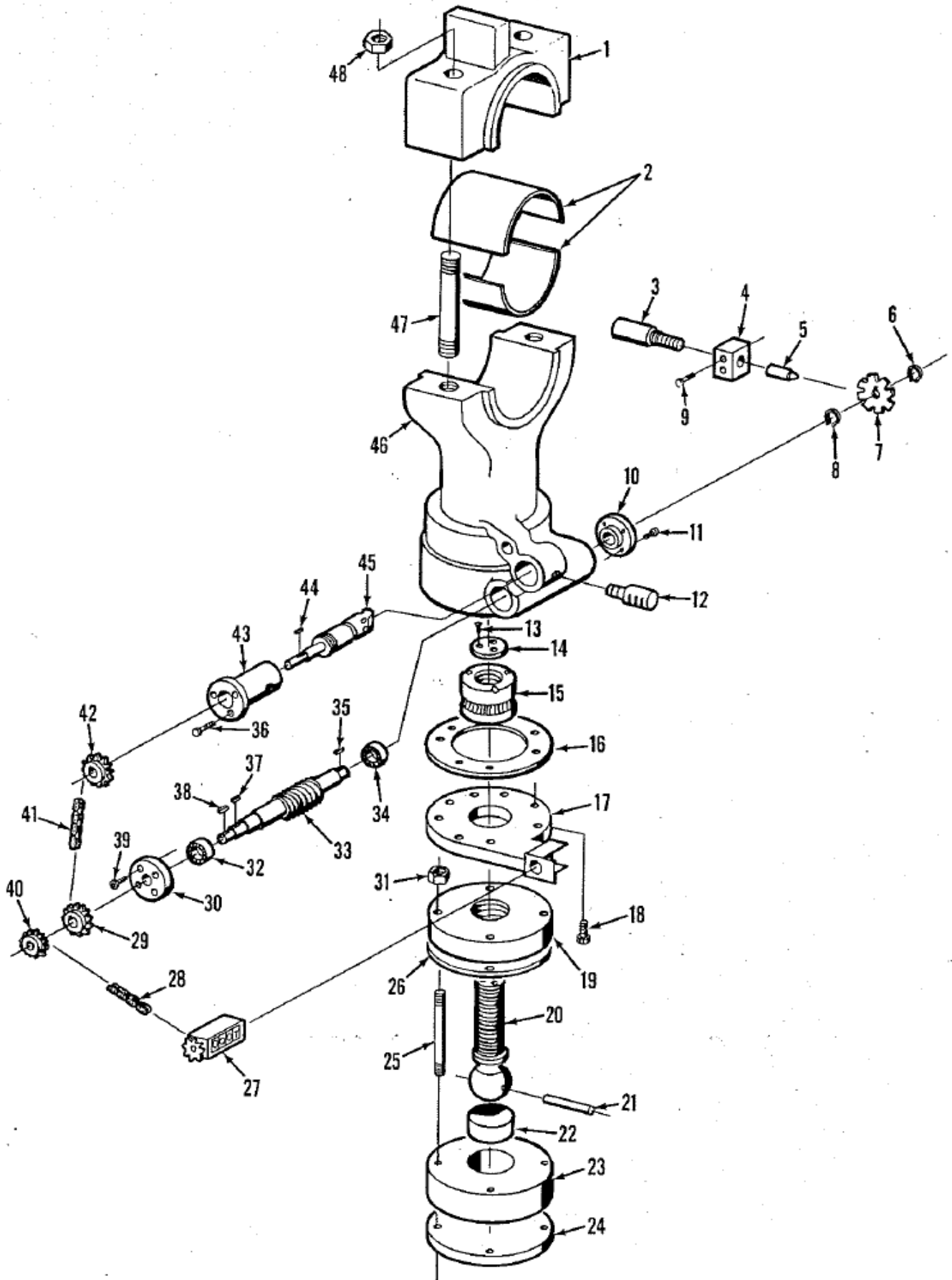
E-90 thru E-250 SLIDE ASSEMBLY

1. Retaining Ring
2. Counterbalance Clevis
3. Counterbalance Yoke
4. Clevis Pin
5. Retaining Ring
6. Bolt
7. Power Adjusted Connection (See Separate Parts List)
8. Side Gib (R.H. Shown)
9. Side Slide Liner
10. Frame
11. Side Gib Screw
12. Slide Liner Screw
13. Slide Liner Screw
14. Front Gib (R.H. Shown)
15. Washer
16. Gib Locking Screw
17. Gib Adjusting Screw
18. Gib Adjusting Screw
19. Adjusting Nut
20. Slide Cover Mounting Screw
21. Front Slide Liner
22. Bar Mounting Screw
23. Tie Bar
24. Slide Cover
25. Slide
26. Cotter Pin
27. Knockout Bar
28. Clamp Nut
29. Knockout Clamp
30. Mounting Screw
31. Knockout Bracket
32. Knockout Pin
33. Side Slide Liner
34. Side Gib Screw
35. Slide Liner Screw
36. Side Gib (L.H. Shown)
37. Rear Gib Screw
38. Frame
39. Rear Gib (L.H. Shown)
40. Slide Liner Screw
41. Rear Slide Liner
42. Bolt
43. Gib Adjusting Plug
44. Spacer
45. Frame



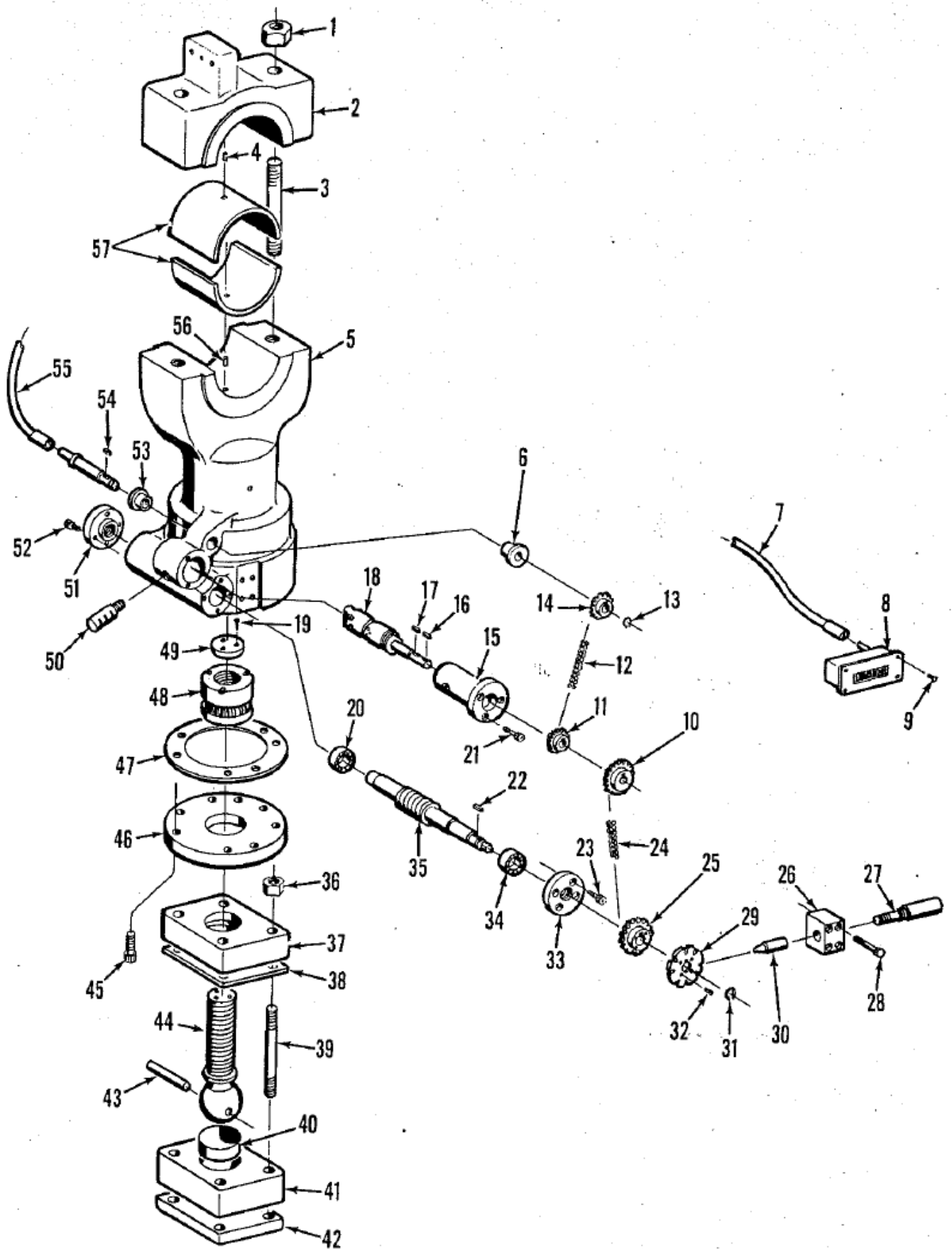
**E-45 and E-60 CONNECTION AND POWER OPERATED SLIDE ADJUSTMENT
(Special Order Only)**

1. Nut
2. Connection Cap
3. Dowel Pin
4. Connection Bushing
5. Sprocket Key
6. Air Motor
7. Locking Pin Air Cylinder
8. Locking Pin Bracket
9. Bracket Mounting Screw
10. Locking Pin
11. Adjustment Locking Pinion
12. Retaining Ring
13. Bearing Retainer
14. Bearing
15. Worm Shaft
16. Pinion Key
17. Sprocket Key
18. Sprocket Key
19. Dowel Pin
20. Stop Plate
21. Worm Gear
22. Retainer Shim
23. Worm Gear Retainer
24. Position Indicator Bracket
25. Position Indicator
26. Ball Screw Cap
27. Ball Connection Shims
28. Connection Ball Screw
29. Ball Screw Pin
30. Indicator Drive Chain
31. Indicator Sprocket
32. Cap Screw
33. Retainer Fastening Screw
34. Plate Fastening Screw
35. Retaining Ring
36. Worm Gear Drive Sprocket
37. Retaining Ring
38. Sprocket
39. Retaining Ring
40. Screw
41. Worm Gear Drive Chain
42. Air Motor Sprocket
43. Bearing Retainer
44. Bearing
45. Set Screw
46. Connection
47. Connection Stud



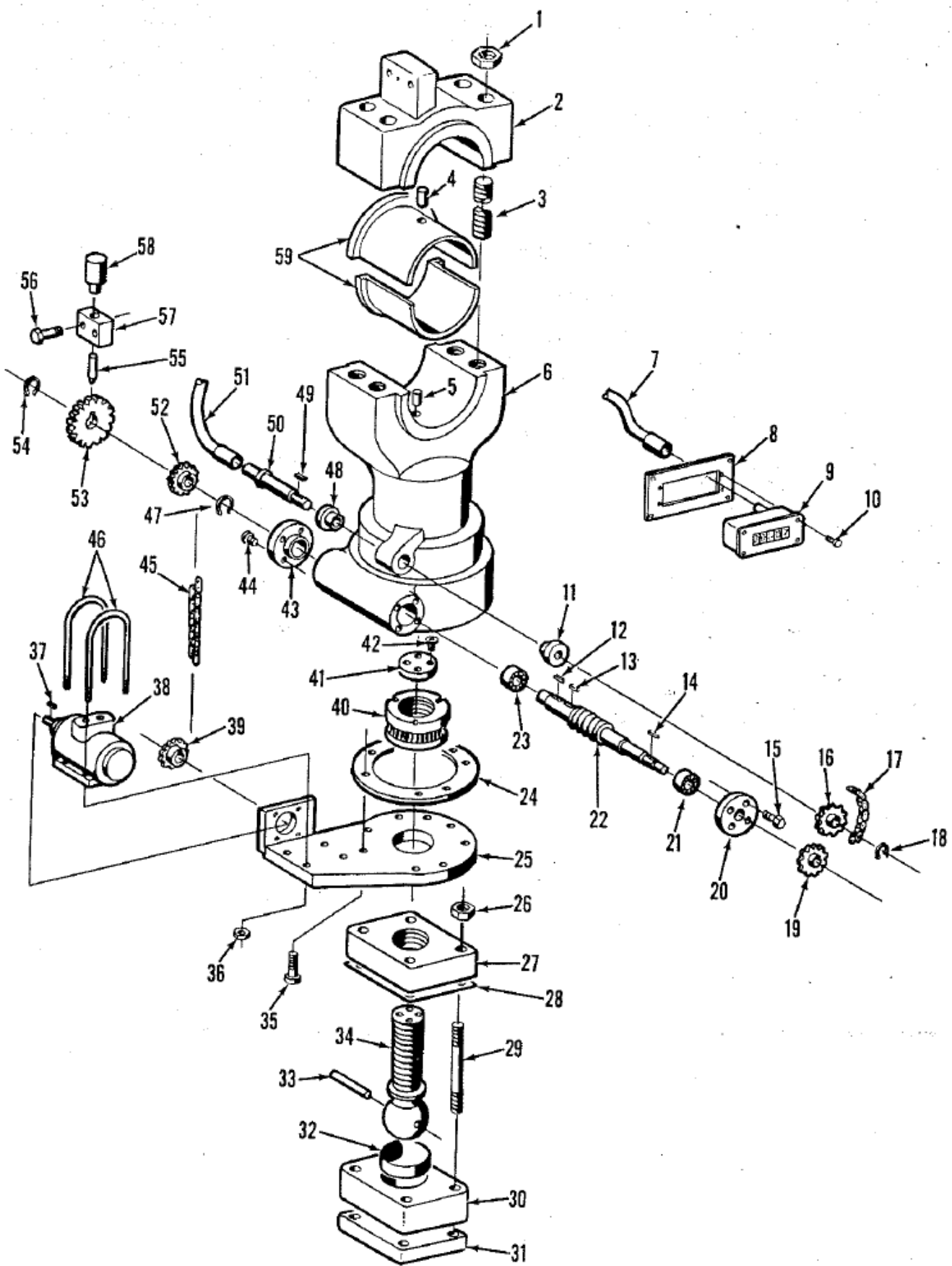
E-75 CONNECTION AND POWER OPERATED SLIDE ADJUSTMENT (Special Order Only)

1. Connection Cap
2. Connection Bushing
3. Locking Pin Air Cylinder
4. Locking Pin Bracket
5. Locking Pin
6. Retaining Ring
7. Adjustment Locking Pinion
8. Retaining Ring
9. Bracket Mounting Screw
10. Bearing Retainer
11. Retainer Mounting Screw
12. Muffler
13. Cap Mounting Screw
14. Adjusting Screw Cap
15. Adjusting Worm Gear
16. Shim
17. Worm Gear Retainer
18. Retainer Mounting Screw
19. Ball Connection Cap
20. Ball Connection Screw
21. Ball Screw Pin
22. Ball Seat Insert
23. Ball Seat
24. Ball Seat Base
25. Ball Cap Stud
26. Ball Connection Screw
27. Position Indicator
28. Chain
29. Worm Shaft Sprocket
30. Bearing Retainer
31. Nut
32. Bearing
33. Worm Shaft
34. Bearing
35. Pinion Key
36. Cartridge Mounting Screw
37. Worm Shaft Sprocket Key
38. Counter Sprocket Key
39. Retainer Mounting Screw
40. Counter Sprocket
41. Chain
42. Driving Sprocket
43. Air Motor Cartridge
44. Driving Sprocket Key
45. Air Motor
46. Connection
47. Connection Stud
48. Nut



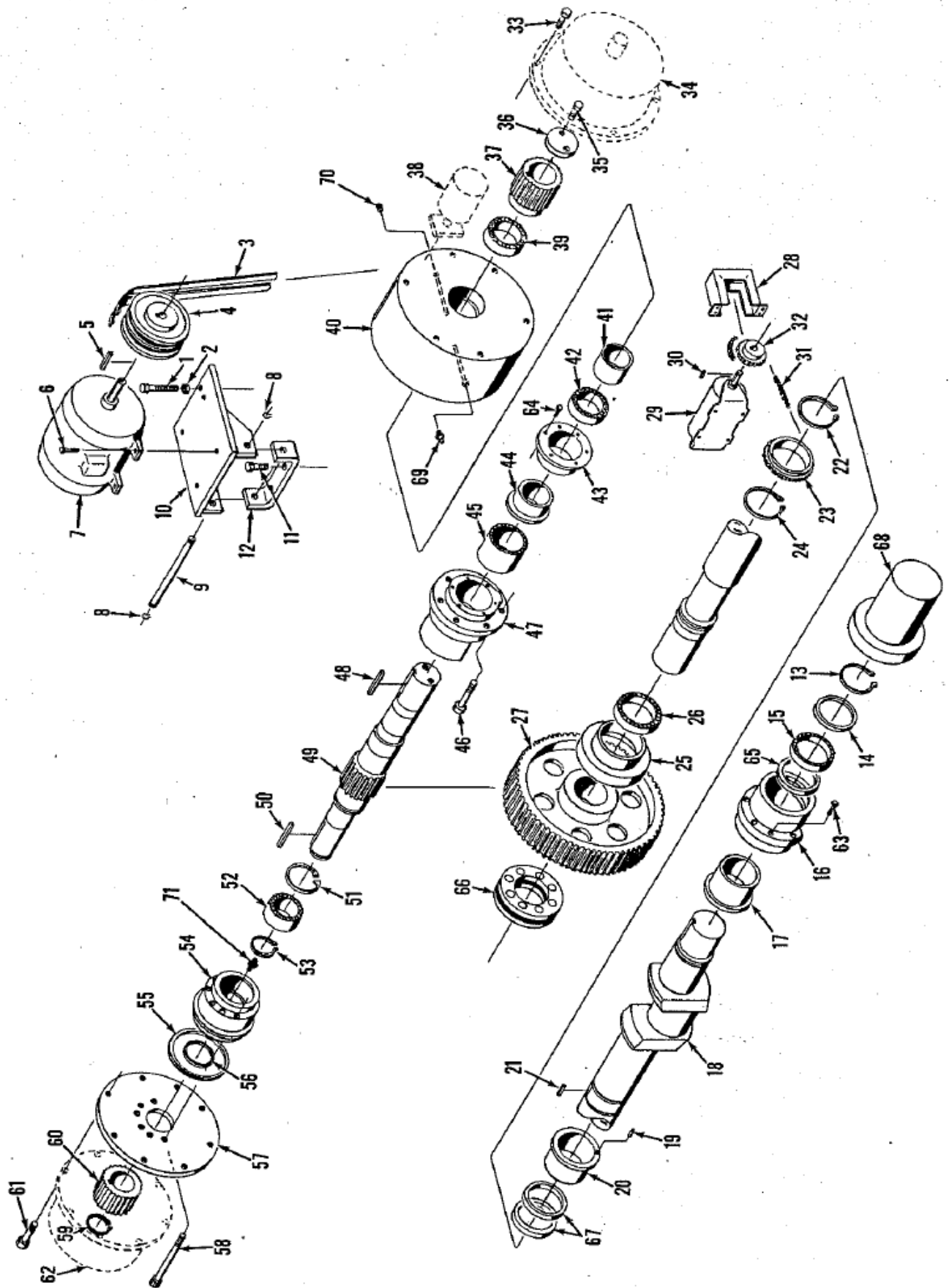
E-90, E-110 and E-150 CONNECTION AND POWER OPERATED SLIDE ADJUSTMENT

1. Nut
2. Connection Cap
3. Connection Stud
4. Dowel Pin
5. Connection
6. Bushing
7. Flexible Shaft
8. Position Indicator
9. Screw
10. Large Driving Sprocket
11. Small Driving Sprocket
12. Indicator Chain
13. Retaining Ring
14. Indicator Sprocket
15. Air Motor Cartridge
16. Large Sprocket Key
17. Small Sprocket Key
18. Air Motor
19. Cap Mounting Screw
20. Rear Bearing
21. Cartridge Mounting Screw
22. Sprocket Key
23. Retainer Mounting Screw
24. Driving Chain
25. Worm Shaft Sprocket
26. Locking Pin Bracket
27. Locking Pin Air Cylinder
28. Bracket Mounting Screw
29. Adjustment Locking Pinion
30. Locking Pin
31. Retaining Ring
32. Pinion Mounting Screw
33. Front Bearing Retainer
34. Front Bearing
35. Worm Shaft
36. Nut
37. Ball Connection Cap
38. Ball Connection Shims
39. Ball Cap Stud
40. Ball Seat Insert
41. Ball Connection Seat
42. Ball Seat Base
43. Ball Screw Pin
44. Ball Connection Screw
45. Retainer Mounting Screw
46. Worm Gear Retainer
47. Shim
48. Adjusting Worm Gear
49. Adjusting Screw Cap
50. Muffler
51. Rear Shaft Closure
52. Closure Mounting Screw
53. Bushing
54. Indicator Sprocket Key
55. Flexible Shaft
56. Dowel Pin
57. Connection Bushing



E-200 and E-250 CONNECTION AND POWER OPERATED SLIDE ADJUSTMENT

1. Nut
2. Connection Cap
3. Connection Stud
4. Dowel Pin
5. Dowel Pin
6. Connection
7. Flexible Shaft
8. Position Indicator Mounting Plate
9. Position Indicator
10. Screw
11. Bushing
12. Pinion Key
13. Sprocket Key
14. Sprocket Key
15. Retainer Mounting Screw
16. Indicator Sprocket
17. Chain
18. Retaining Ring
19. Sprocket
20. Bearing Retainer
21. Bearing
22. Worm Shaft
23. Bearing
24. Shim
25. Worm Gear Retainer
26. Nut
27. Ball Connection Cap
28. Ball Connection Shim
29. Ball Cap Stud
30. Ball Seat
31. Ball Seat Base
32. Ball Seat Insert
33. Ball Screw Pin
34. Ball Connection Screw
35. Retainer Mounting Screw
36. Motor Strap Nuts
37. Key
38. Air Motor
39. Sprocket
40. Worm Gear
41. Stop Plate
42. Plate Fastening Screw
43. Bearing Retainer
44. Retainer Mounting Screw
45. Chain
46. Motor Straps
47. Retaining Ring
48. Bushing
49. Indicator Sprocket Key
50. Indicator Drive Shaft
51. Flexible Shaft
52. Sprocket
53. Adjustment Locking Pinion
54. Retaining Ring
55. Locking Pin
56. Bracket Mounting Screw
57. Locking Pin Bracket
58. Locking Pin Air Cylinder
59. Connection Bushing

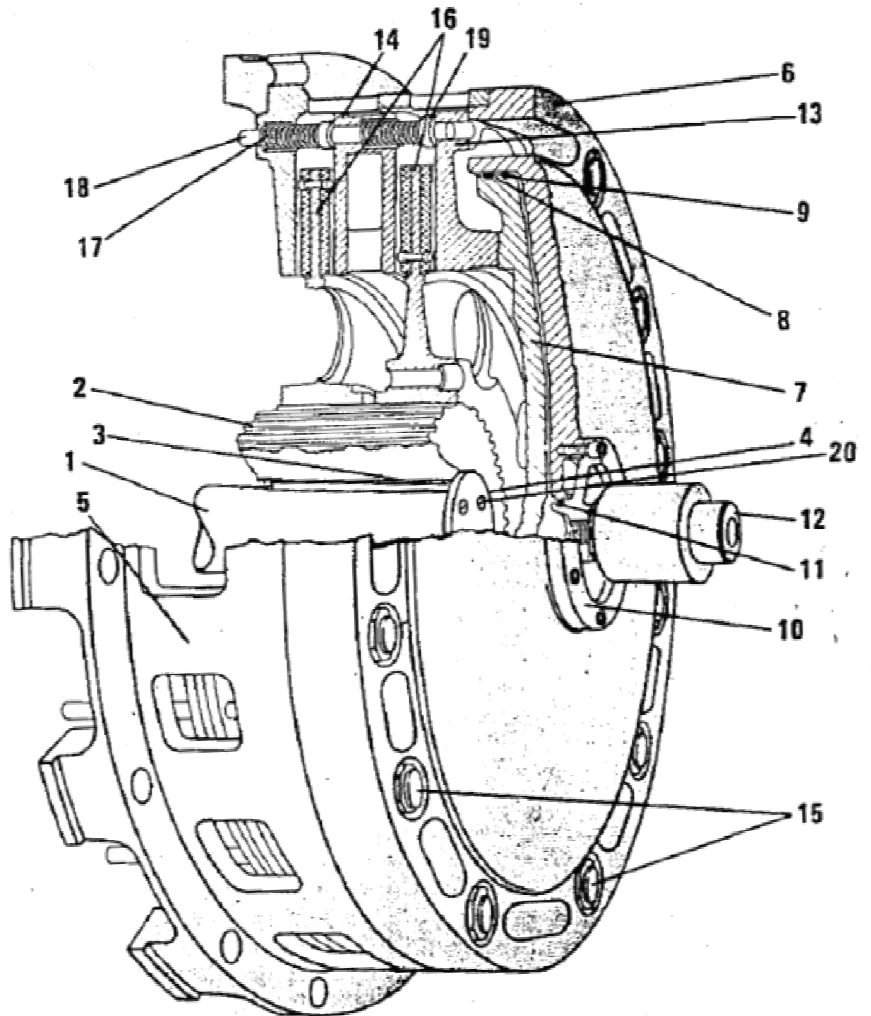


DRIVE

- | | |
|---|--|
| <ol style="list-style-type: none"> 1. Motor Adjusting Screw 2. Locknut 3. "V" Belt 4. Sheave 5. Sheave Key 6. Motor Mounting Screw 7. Main Driving Motor 8. Retainer Ring 9. Hinge Pin 10. Motor Plate 11. Bracket Mounting Screw 12. Motor Bracket 13. Retainer Ring 14. Bearing Retainer Ring 15. Front Crankshaft Bearing 16. Front Bearing Housing 17. Front Bearing Bushing 18. Crankshaft 19. Dowel Pin 20. Center Bearing Bushing 21. Limit Switch Key 22. Retainer Ring 23. Crankshaft Sprocket 24. Retainer Ring 25. Rear Bearing Housing (E45, E60, E75 only) 26. Rear Crankshaft Bearing* 27. Gearwheel 28. Chainguard 29. Limit Switch 30. Sprocket Key 31. Chain 32. Limit Switch Sprocket 33. Clutch Mounting Screw 34. Air Friction Clutch (See separate parts list) | <ol style="list-style-type: none"> 35. Retainer Mounting Screw 36. Driving Hub Retainer 37. Driving Hub 38. Flywheel Brake (See separate parts list) 39. Flywheel Bearing 40. Flywheel 41. Flywheel Bearing Spacer 42. Flywheel Bearing 43. Bearing Retainer Cover 44. Driveshaft Bearing Spacer 45. Inboard Driveshaft Bearing 46. Support Mounting Screw 47. Drive Support 48. Driving Hub Key 49. Driveshaft 50. Brake Hub Key 51. Retainer Ring 52. Outboard Driveshaft Bearing 53. Retainer Ring 54. Outboard Bearing Cover 55. Sealing Ring 56. Oil Seal 57. Brake Bracket 58. Bracket Mounting Screw 59. Retainer Ring 60. Braking Hub 61. Brake Mounting Screw 62. Air Disc Brake (See separate parts list) 63. Housing Mounting Screw 64. Cover Mounting Screw 65. Oil Seal 66. Shrink Disc Connection 67. Oil Seal 68. Cover (E45 thru E110) 69. Grease Fitting 70. Plug 71. Grease Fitting |
|---|--|

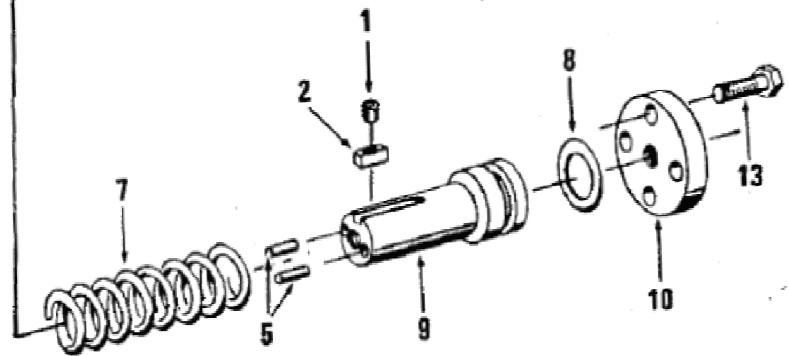
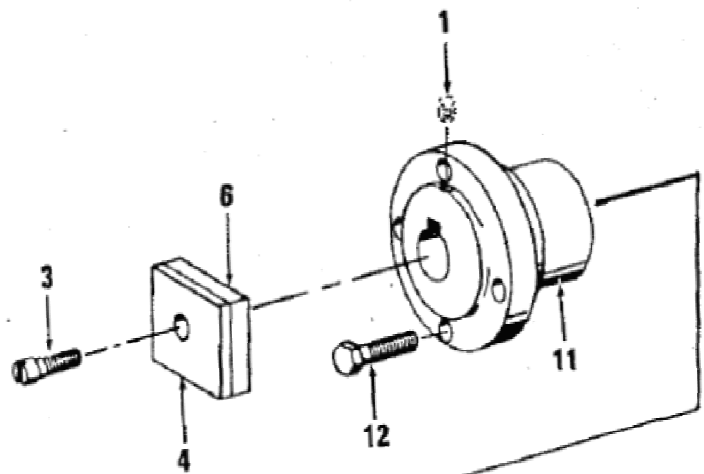
* Anti-Friction Bearing on E45, E60, E75
Bronze Bushing on E90 thru E250

AIR FRICTION CLUTCH – TYPE LI-P



1. Driveshaft
2. Driving Hub
3. Key
4. Driving Hub Retainer
5. Clutch Housing
6. Clutch Cylinder
7. Clutch Piston
8. Piston Wiper
9. Piston "O" Ring
10. Rotary Air Seal Adapter
11. Adapter "O" Ring
12. Rotary Air Seal
13. Pressure Plate
14. Inner Pressure Plate
15. Pressure Plate Guides & Nut
16. Friction Disc
17. Spreader Spring
18. Spring Guide
19. Guide Collar
20. Screw

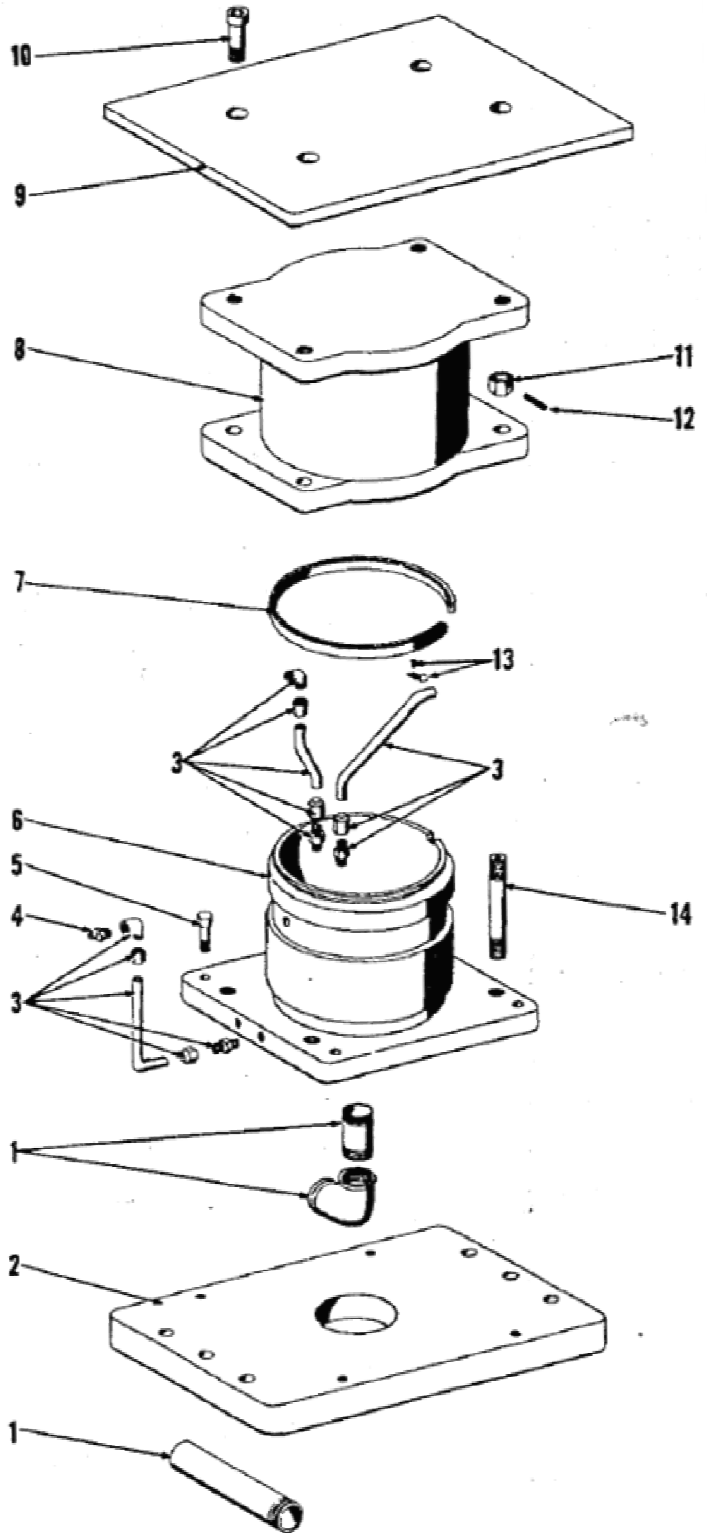
AIR OPERATED FLYWHEEL BRAKE (Optional)



1. Key Dowel Pin
2. Guide Key
3. Mounting Screw
4. Brake Lining
5. Dowel Pin
6. Brake Shoe
7. Spring
8. "O" Ring
9. Piston
10. Cylinder Cover
11. Cylinder
12. Cylinder Mounting Screw
13. Cover Mounting Screw

'C' TYPE CUSHION (when used)
 SERIES E-45, E-60 and E-75

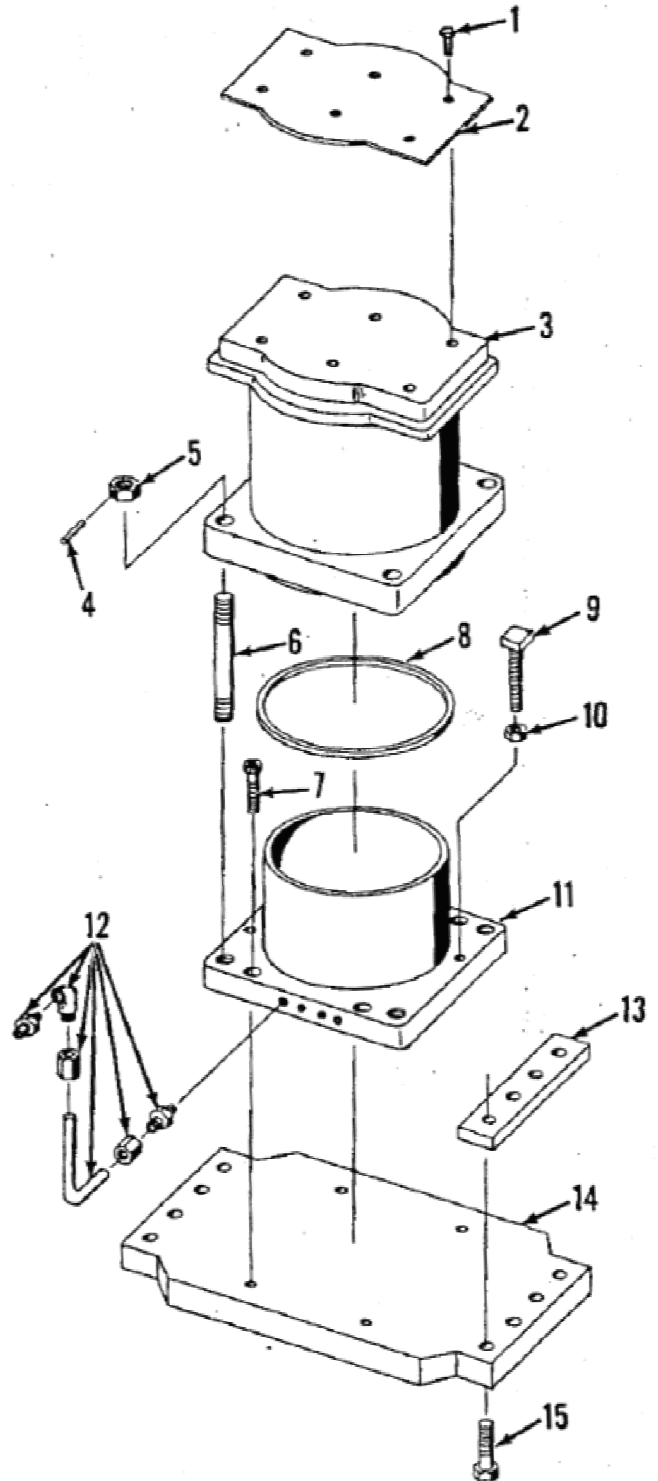
WARNING
 NEVER APPLY MORE THAN 5 PSI ON
 CUSHION WITH BOLSTER OFF PRESS
 OR WITH CUSHION OUT OF PRESS.



1. Air Piping
2. Mounting Plate
3. Lubrication Piping
4. Oil Fitting
5. Cylinder Mounting Screw
6. Cylinder
7. "U" Packing (Split for illustration purposes only)
8. Piston
9. Pressure Plate
10. Pressure Plate Mounting Screw
11. Stop Nut
12. Roll Pin
13. Lubrication Pipe Clip and Screw
14. Positive Stop Stud

'C' TYPE CUSHION (When Used)
SERIES E-90 thru E-250

1. Bolt
2. Pressure Plate
3. Cylinder Head
4. Roll Pin
5. Nut
6. Stud
7. Capscrew
8. Packing
9. Square Head Set Screw
10. Nut
11. Cylinder
12. Lubrication Piping
13. Spacer
14. Cylinder Mounting Plate
15. Bolt



WARNING
 NEVER APPLY MORE THAN 5 PSI ON
 CUSHION WITH BOLSTER OFF PRESS
 OR WITH CUSHION OUT OF PRESS.