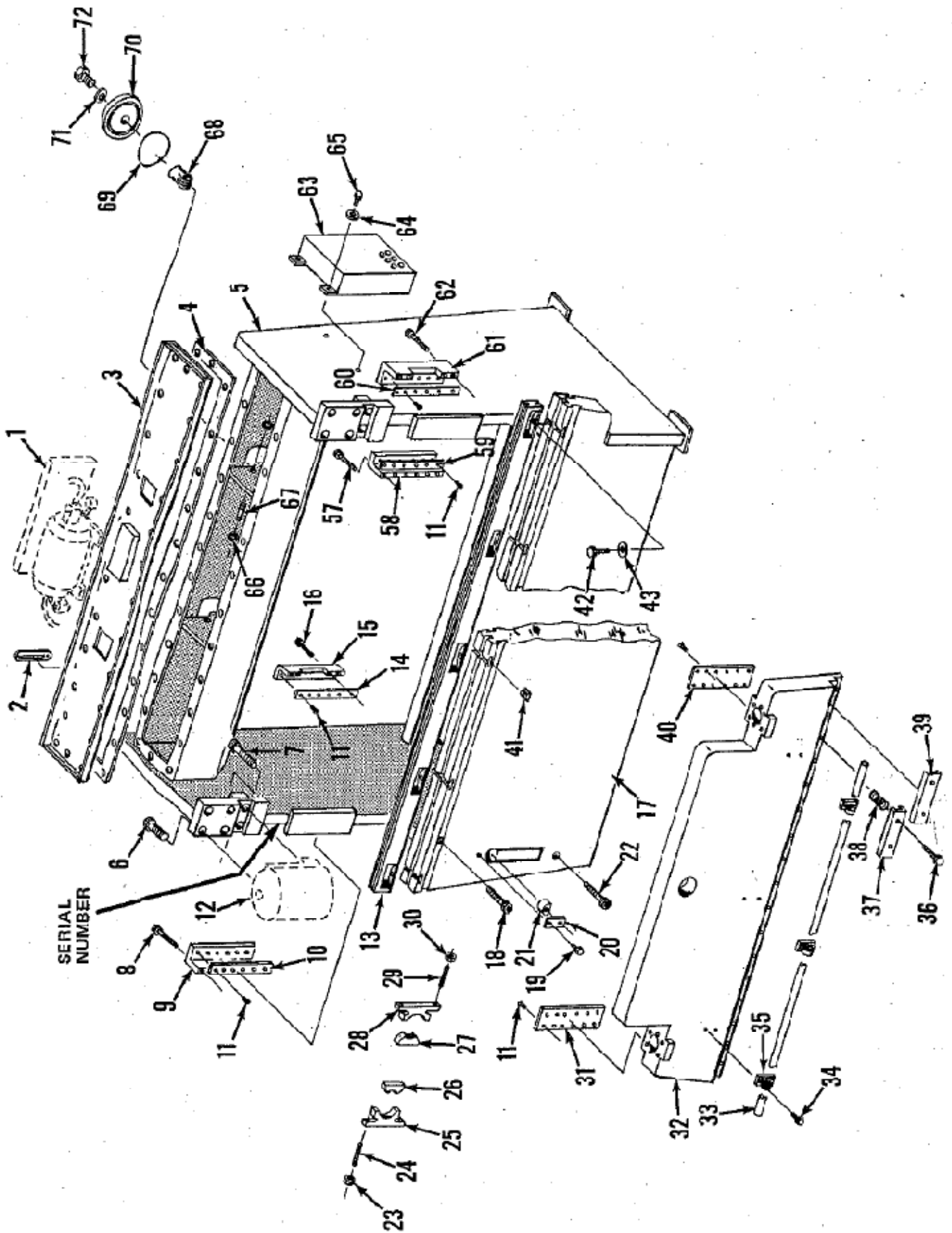


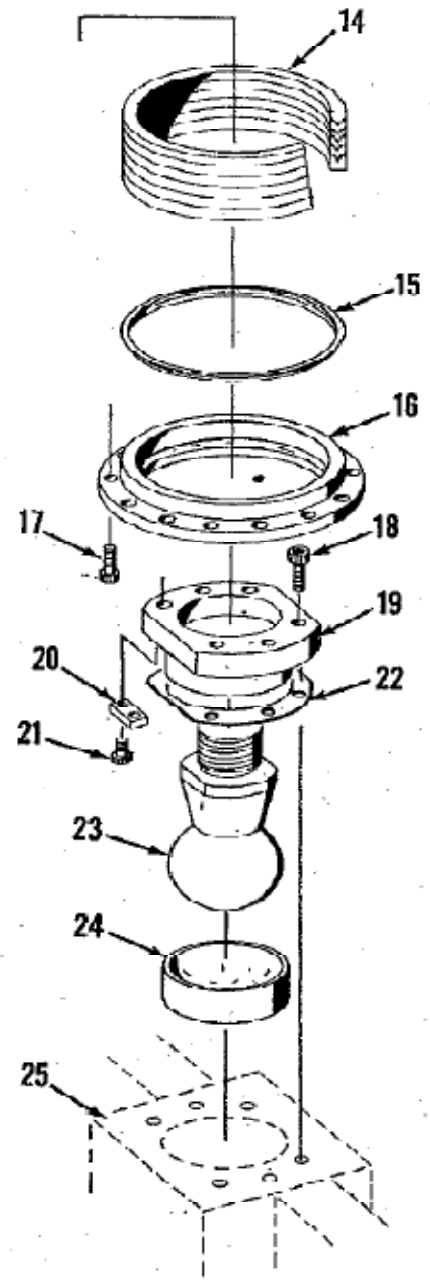
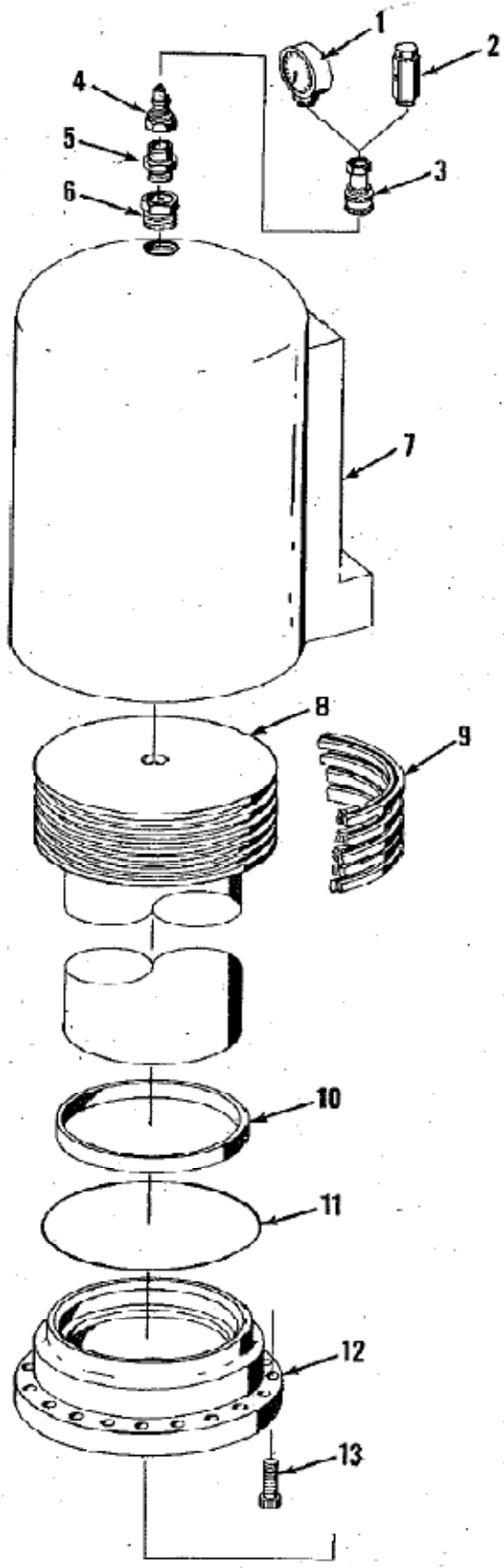
HD-200 FRAME

- | | |
|---|---|
| <ol style="list-style-type: none"> 1. Manifold, Motor & Pump Assembly 2. Oil Sight Gage 3. Reservoir Cover 4. Gasket 5. Frame 6. Capscrew 7. Capscrew 8. Capscrew 9. L.H. Outside Gib 10. Gib Liner 11. Screw 12. L.H. Cylinder (R.H. Same) 13. Filler Block 17. Bed (Detachable Type) 18. Capscrew 19. Bolt 20. Bed Shoe Lock 21. Bed Shoe 22. Capscrew 31. R.H. Ram Liner 32. Ram 33. Safety Rail 34. Bolt 35. Pillow Block 36. Bolt 37. Center Ram Clamp Bars 38. Spring 39. End Ram Clamp Bars 40. R.H. Ram Liner 41. .T. Nut | <ol style="list-style-type: none"> 42. Capscrew 43. Washer 44. Nut 45. Stud 46. Capscrew 47. Adjusting Block 48. Inner Pivot Block 49. Pivot Block Retainer 50. Washer 51. Bolt 52. Inner Pivot Shoe 53. Outer Pivot Shoe 54. Outer Pivot Block 55. Stud 56. Nut 60. Gib Liner 61. R.H. Outer Gib 62. Capscrew 63. Control Box 64. Washer 65. Bolt 66. Retaining Ring 67. Pin 68. Clevis 69. "O" Ring 70. Inspection Door 71. Washer 72. Bolt |
|---|---|
-
- | | |
|--|---|
| | <div style="border-left: 1px solid black; border-right: 1px solid black; border-top: 1px solid black; border-bottom: 1px solid black; padding: 5px; display: inline-block;"> Clean Out
Cover Kit
Purchased
As Assembly </div> |
|--|---|

HD-300 FRAME

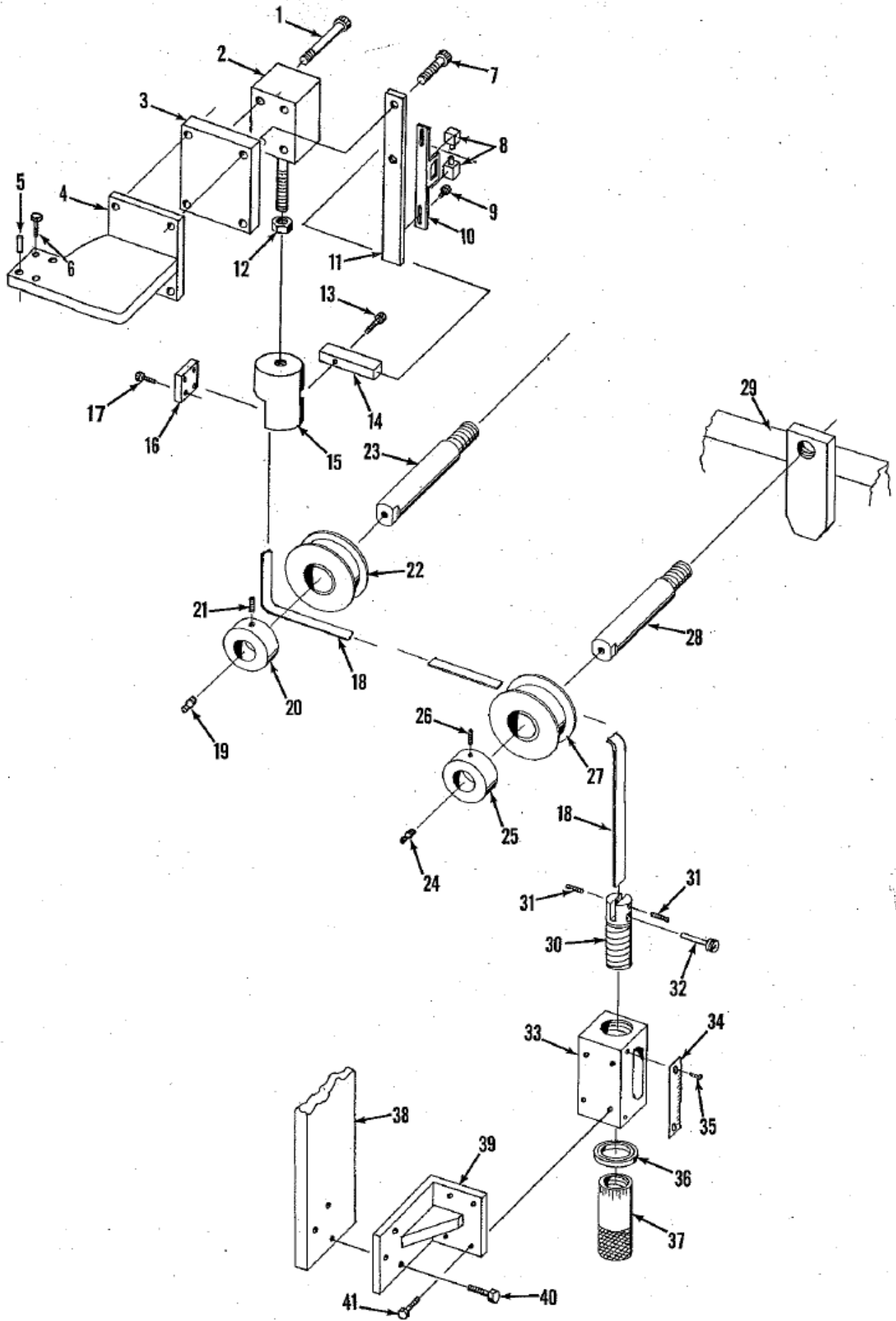
- | | |
|--|---|
| <ol style="list-style-type: none"> 1. Manifold, Motor & Pump Assembly 2. Oil Sight Gage 3. Reservoir Cover 4. Gasket 5. Frame 6. Capscrew 7. Capscrew 8. Capscrew 9. L.H. Outside Gib 10. Gib Liner 11. Screw 12. L.H. Cylinder (R.H. Same) 13. Filler Block 14. Gib Liner 15. L.H. Inner Gib 16. Capscrew 17. Bed (Detachable Type) 18. Capscrew 19. Bolt 20. Bed Shoe Lock 21. Bed Shoe 22. Capscrew 23. Nut 24. Stud 25. Outer Pivot Shoe Retainer 26. Outer Pivot Shoe 27. Inner Pivot Shoe 28. Inner Pivot Shoe Retainer 29. Stud 30. Nut 31. R.H. Ram Liner | <ol style="list-style-type: none"> 32. Ram 33. Safety Rail 34. Bolt 35. Pillow Block 36. Bolt 37. Center Ram Clamp Bars 38. Spring 39. End Ram Clamp Bars 40. R.H. Ram Liner 41. "T" Nut 42. Capscrew 43. Washer 57. Capscrew 58. R.H. Inner Gib 59. Gib Liner 60. Gib Liner 61. R.H. Outer Gib 62. Capscrew 63. Control Box 64. Washer 65. Bolt 66. Retaining Ring 67. Pin 68. Clevis 69. "O" Ring 70. Inspection Door 71. Washer 72. Bolt |
|--|---|
-
- | | |
|--|---|
| | <div style="border-left: 1px solid black; border-right: 1px solid black; border-top: 1px solid black; border-bottom: 1px solid black; padding: 5px; display: inline-block;"> Clean Out
Cover Kit
Purchased
As Assembly </div> |
|--|---|





MAIN CYLINDER

1. Test Gage
2. Bleeder Valve
3. Socket
4. Plug
5. Nipple
6. Reducer
7. Cylinder
8. Piston
9. Piston Rings
10. Bushing
11. "O" Ring
12. Cylinder Cap
13. Capscrew
14. "V" Packing
15. Wiper Cord
16. Packing Gland
17. Capscrew
18. Capscrew
19. Ballcap
20. Lock
21. Capscrew
22. Shim
23. Ballscrew
24. Ballseat
25. Ram

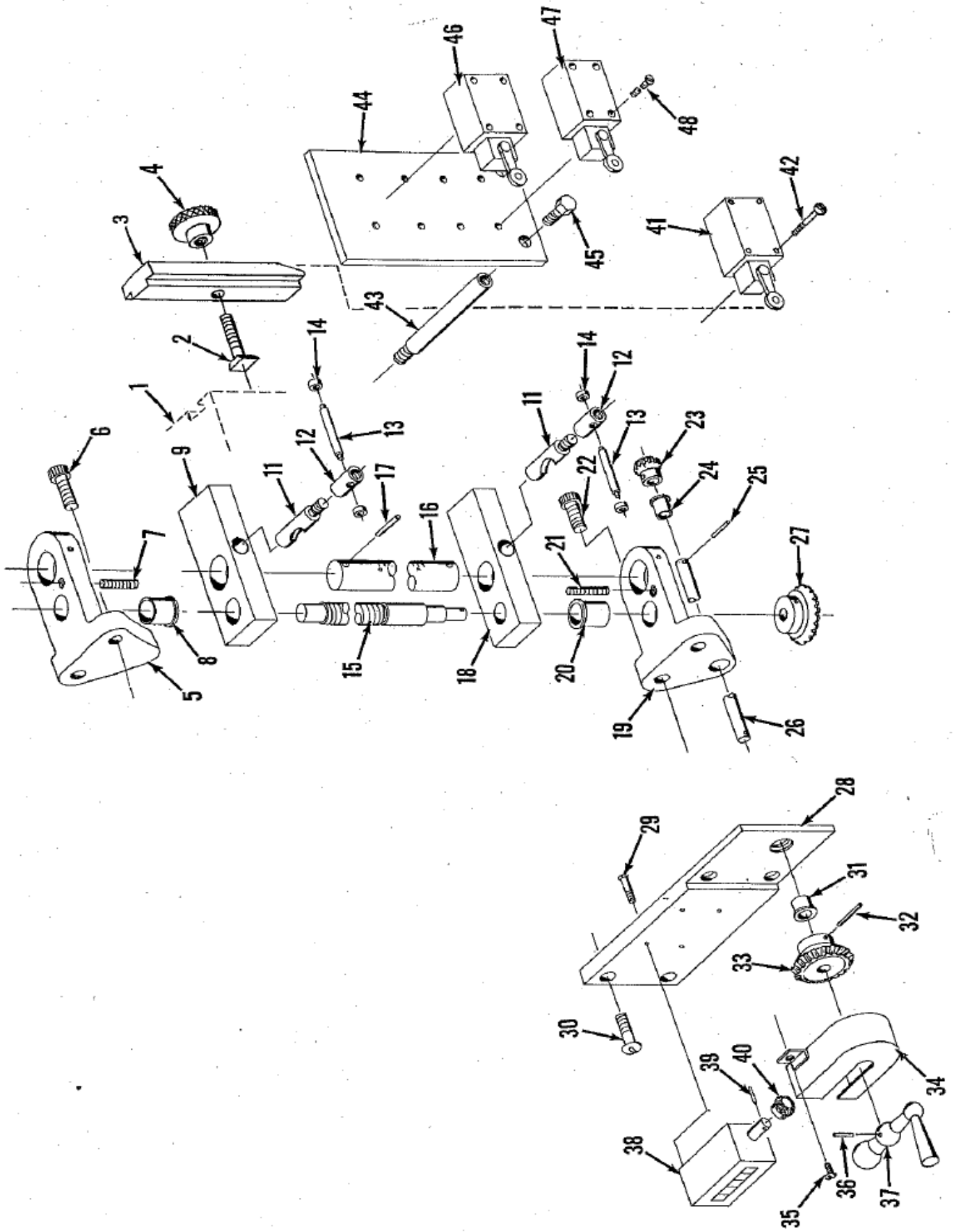


RAM LEVEL CONTROL

1. Capscrew
2. Valve
3. Sub Plate
4. Valve Bracket
5. Dowel
6. Bolt
7. Capscrew
8. Micro Switch
9. Capscrew
10. Micro Switch Plate
11. Micro Switch Bracket
12. Nut
13. Capscrew
14. Micro Switch Trip
15. Tape Holder
16. Tape Clamp
17. Capscrew
18. Tape
19. Grease Fitting
20. Collar *
21. Set Screw *
22. L.H. Pulley
23. Pulley Shaft *
24. Grease Fitting
25. Collar **
26. Set Screw **
27. R.H. Pulley
28. Pulley Shaft **
29. Ram
30. Tape Adjustment Screw
31. Set Screw
32. Pin & Knob
33. Screw Housing
34. Tilt Adjust Scale
35. Screw
36. Bearing
37. Adjusting Knob
38. Bracket Support
39. Tilt Adjust Bracket
40. Bolt
41. Bolt

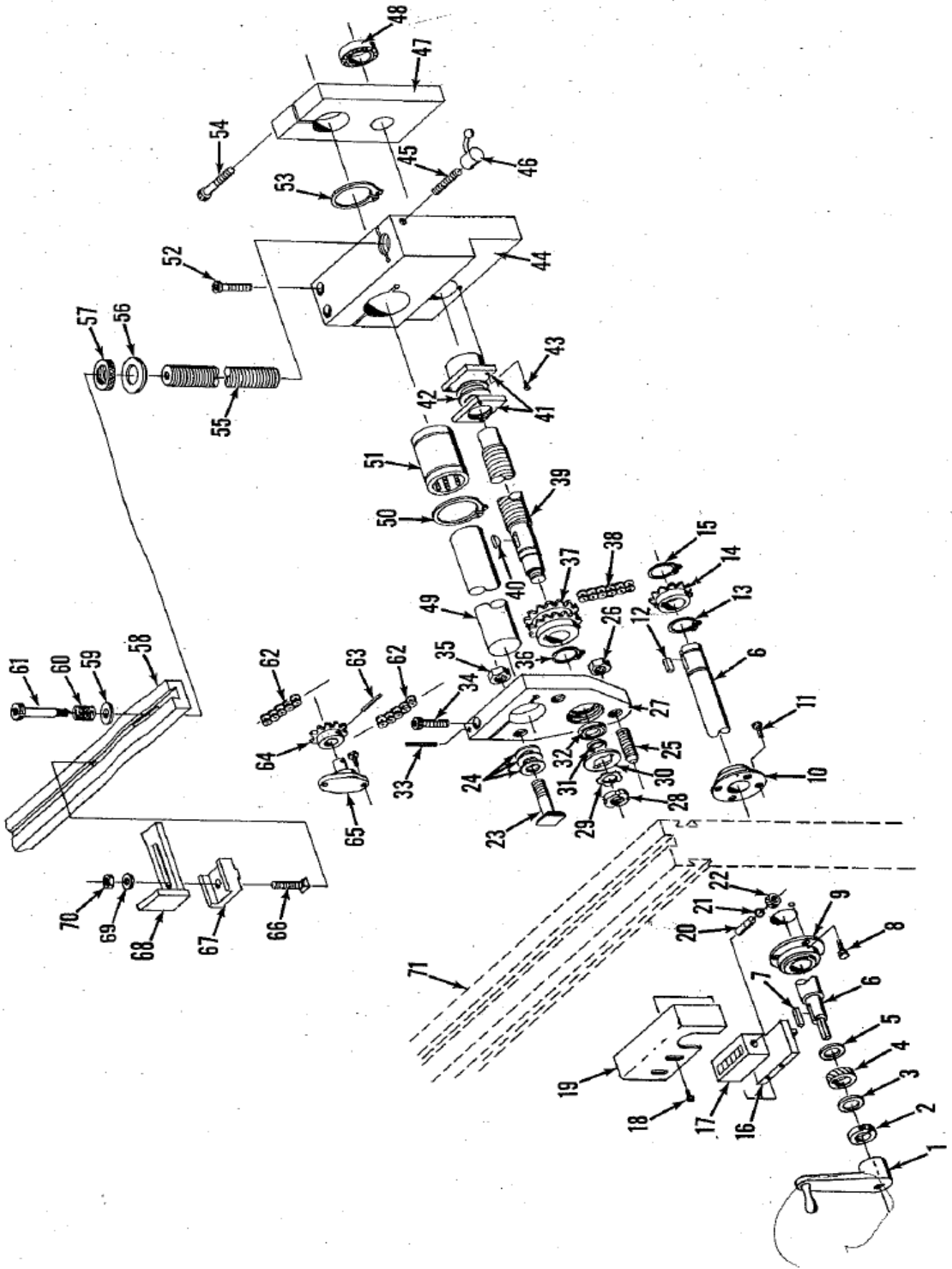
* Purchased Together

** Purchased Together



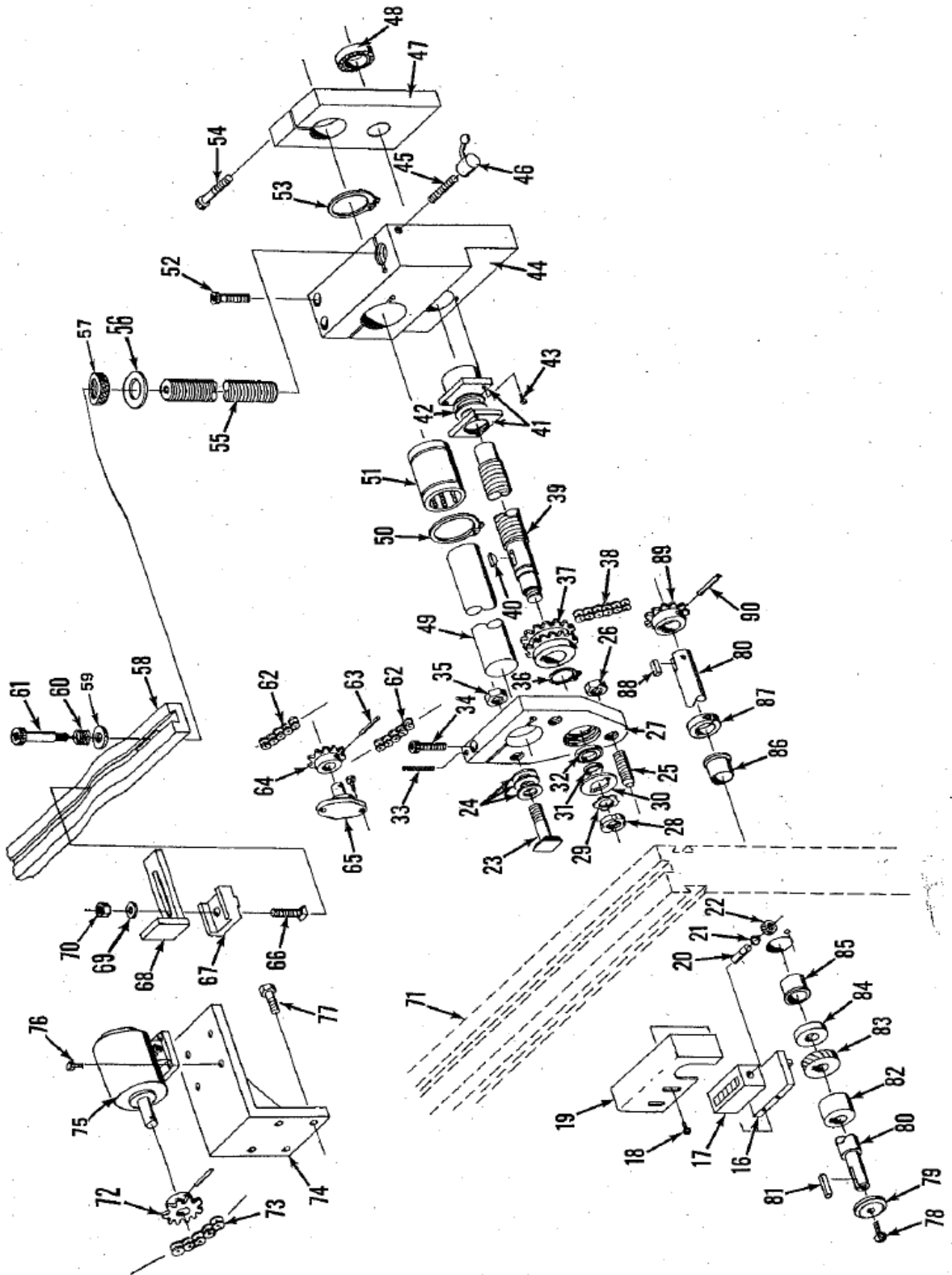
UPPER AND LOWER LIMIT ASSEMBLY

- | | | | |
|-----|------------------------|-----|-----------------------------|
| 1. | R.H. Outer Gib | 26. | Shaft |
| 2. | Dovetail Bolt | 27. | Bevel Gear |
| 3. | Speed Change Cam | 28. | Counter Plate |
| 4. | Knurled Nut | 29. | Screw |
| 5. | Upper Gage Rod Bracket | 30. | Button Head Screw |
| 6. | Capscrew | 31. | Bushing |
| 7. | Set Screw | 32. | Roll Pin |
| 8. | Bushing | 33. | Bevel Gear |
| 9. | Upper Stop Block | 34. | Gear Cover |
| 11. | Clamp Bolt | 35. | Screw |
| 12. | Clamp Nut | 36. | Roll Pin |
| 13. | Handle | 37. | Handle |
| 14. | Knob | 38. | Counter |
| 15. | Screw | 39. | Roll Pin |
| 16. | Gage Rod | 40. | Bevel Pinion |
| 17. | Roll Pin | 41. | Limit Switch (Speed Change) |
| 18. | Lower Stop Block | 42. | Screw |
| 19. | Lower Gage Rod Bracket | 43. | Bracket Support |
| 20. | Bushing | 44. | Limit Switch Mounting Plate |
| 21. | Set Screw | 45. | Bolt |
| 22. | Capscrew | 46. | Limit Switch (Bottom Limit) |
| 23. | Bevel Pinion | 47. | Limit Switch (Top Limit) |
| 24. | Bushing | 48. | Screw |
| 25. | Roll Pin | | |



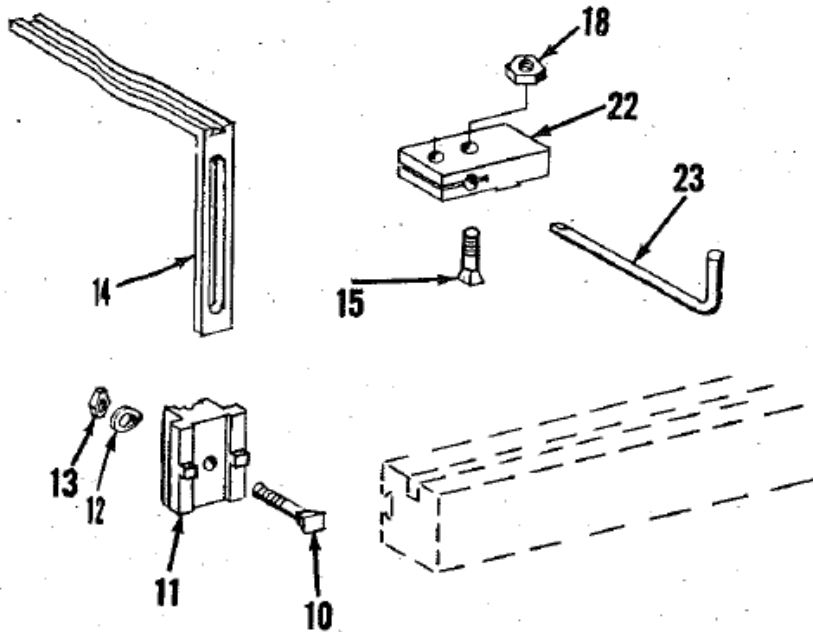
HEAVY DUTY BACKGAGE MANUALLY OPERATED

- | | | | |
|-----|-----------------|-----|-----------------------------|
| 1. | Handle | 38. | Chain |
| 2. | Collar | 39. | Backgage Screw |
| 3. | Spacer | 40. | Woodruff Key |
| 4. | Helical Gear | 41. | Backlash Plate |
| 5. | Spacer | 42. | Disc Springs |
| 6. | Shaft | 43. | Screw |
| 7. | Key | 44. | Finger Rest Support Bracket |
| 8. | Bolt | 45. | Stud |
| 9. | Flange Block | 46. | Clamping Handle |
| 10. | Flange Block | 47. | Rear Stop Plate |
| 11. | Bolt | 48. | Bearing |
| 12. | Key | 49. | Shaft |
| 13. | Retaining Ring | 50. | Retaining Ring |
| 14. | Sprocket | 51. | Ball Bushing |
| 15. | Retaining Ring | 52. | Capscrew |
| 16. | Counter Bracket | 53. | Retaining Ring |
| 17. | Counter Cover | 54. | Capscrew |
| 18. | Screw | 55. | Elevating Screw |
| 19. | Counter Cover | 56. | Thrust Bearing |
| 20. | Counter Shaft | 57. | Knurled Nut |
| 21. | Retaining Ring | 58. | Finger Rest |
| 22. | Helical Gear | 59. | Washer |
| 23. | Dovetail Bolt | 60. | Spring |
| 24. | Washer | 61. | Shouldered Capscrew |
| 25. | Stud | 62. | Chain |
| 26. | Nut | 63. | Roll Pin |
| 27. | Support Plate | 64. | Sprocket |
| 28. | Lock Nut | 65. | Drive Tightener |
| 29. | Lock Washer | 66. | Dovetail Bolt |
| 30. | Bearing Nut | 67. | Finger Support |
| 31. | Bearing | 68. | Backgage Finger |
| 32. | Bearing | 69. | Washer |
| 33. | Set Screw | 70. | Nut |
| 34. | Capscrew | 71. | Bed |
| 35. | Nut | | |
| 36. | Retaining Ring | | |
| 37. | Sprocket | | |



HEAVY DUTY BACKGAGE POWER OPERATED

- | | | | |
|-----|-----------------------------|-----|---------------------|
| 16. | Counter Bracket | 55. | Elevating Screw |
| 17. | Counter | 56. | Thrust Bearing |
| 18. | Screw | 57. | Knurled Nut |
| 19. | Counter Cover | 58. | Finger Rest |
| 20. | Counter Shaft | 59. | Washer |
| 21. | Retaining Ring | 60. | Spring |
| 22. | Helical Gear | 61. | Shouldered Capscrew |
| 23. | Dovetail Bolt | 62. | Chain |
| 24. | Washer | 63. | Roll Pin |
| 25. | Stud | 64. | Support |
| 26. | Nut | 65. | Drive Tightener |
| 27. | Support Plate | 66. | Dovetail Bolt |
| 28. | Lock Nut | 67. | Finger Support |
| 29. | Lock Washer | 68. | Backgage Finger |
| 30. | Bearing Nut | 69. | Washer |
| 31. | Spacer | 70. | Nut |
| 32. | Bearing | 71. | Bed |
| 33. | Set Screw | 72. | Sprocket |
| 34. | Capscrew | 73. | Chain |
| 35. | Nut | 74. | Bracket |
| 36. | Retaining Ring | 75. | Hydraulic Motor |
| 37. | Sprocket | 76. | Bolt |
| 38. | Chain | 77. | Bolt |
| 39. | Backgage Screw | 78. | Screw |
| 40. | Woodruff Key | 79. | Washer |
| 41. | Backlash Plate | 80. | Shaft |
| 42. | Disc Springs | 81. | Key |
| 43. | Screw | 82. | Spacer |
| 44. | Finger Rest Support Bracket | 83. | Helical Gear |
| 45. | Stud | 84. | Spacer |
| 46. | Clamping Handle | 85. | Bushing |
| 47. | Rear Stop Plate | 86. | Bushing |
| 48. | Bearing | 87. | Collar |
| 49. | Shaft | 88. | Key |
| 50. | Retaining Ring | 89. | Sprocket |
| 51. | Ball Bushing | 90. | Roll Pin |
| 52. | Capscrew | | |
| 53. | Retaining Ring | | |
| 54. | Capscrew | | |



STANDARD BACKGAGE

- 10. Dovetail Bolt
- 11. Backgage Base
- 12. Lockwasher
- 13. Locknut
- 14. Bracket
- 15. Dovetail Bolt
- 18. Nut
- 22. Finger Support
- 23. Finger

MICROMETER BACKGAGE

- 10. Dovetail Bolt
- 11. Backgage Base
- 12. Lockwasher
- 13. Locknut
- 14. Bracket
- 15. Dovetail Bolt
- 16. Micrometer Stud
- 17. Micrometer Support
- 18. Nut
- 19. Micrometer Nut
- 20. Jam Nut
- 21. Hex HD Cap Screw
- 22. Finger Support
- 23. Finger

