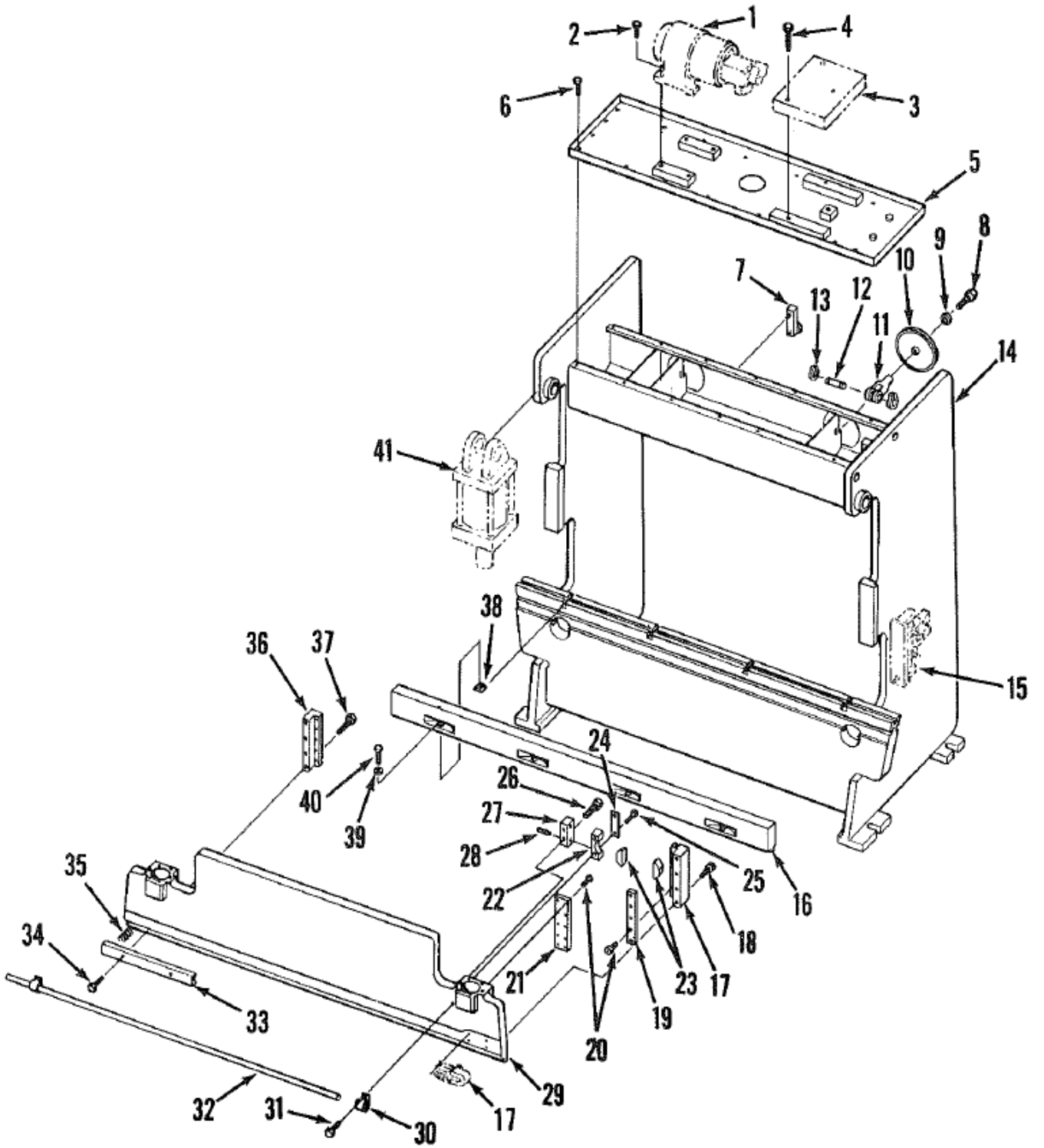


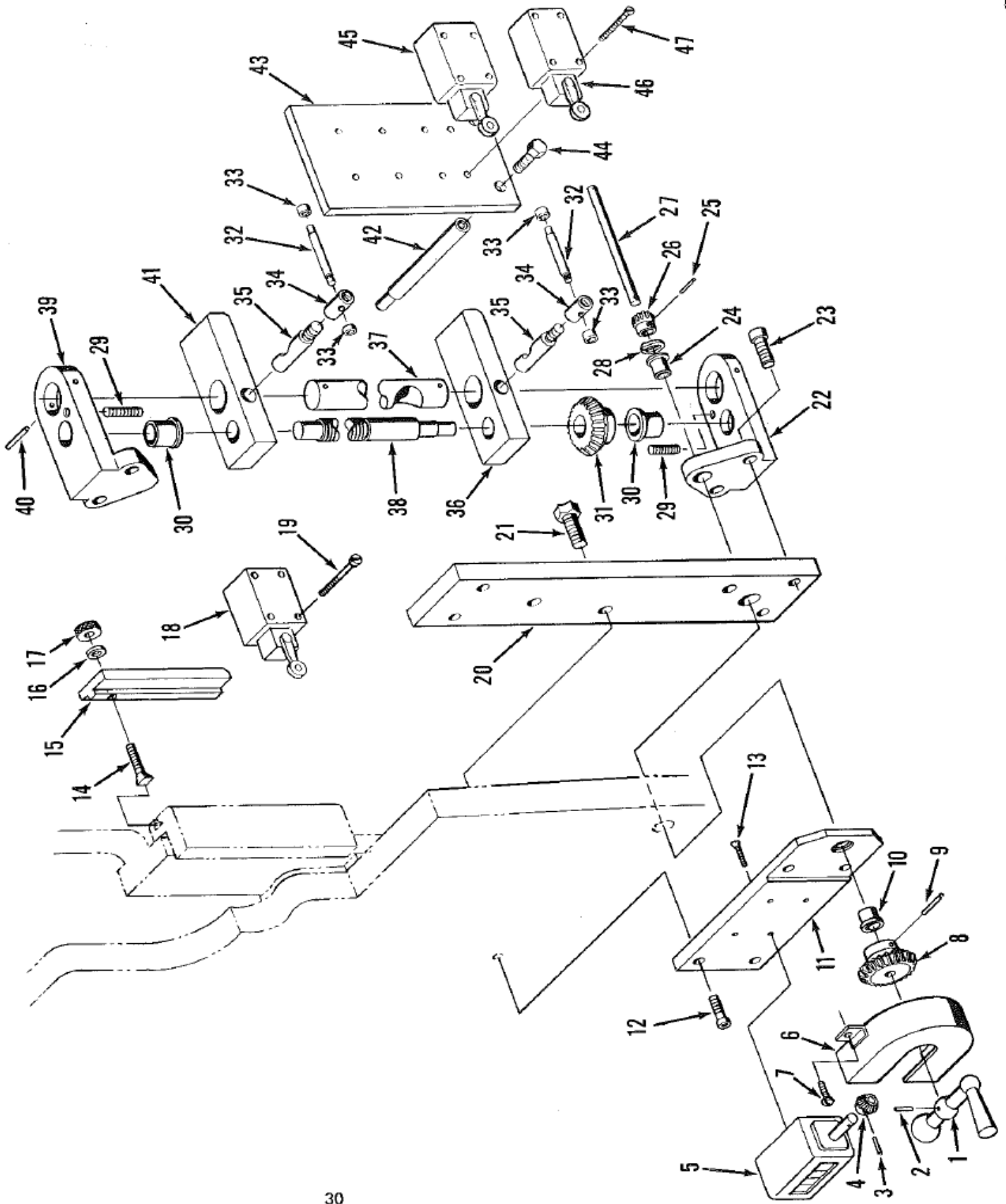
# FRAME



## FRAME (Continued)

1. Main Motor and Pump
2. Bolt
3. Valve Manifold
4. Bolt
5. Reservoir Cover
6. Bolt
7. Oil Level Gage and Thermometer
8. Mounting Bolt
9. Seal
10. Cleanout Cover
11. Clevis
12. Pin
13. Snap Ring
14. Frame
15. Limit Switch Assembly
16. Filler Block
17. R.H. Gib
18. Bolt
19. Gib Liner (R.H. & L.H.)
20. Bolt
21. Ram Liner
22. Pivot Block
23. Pivot Shoe
24. Pivot Block Retainer
25. Bolt
26. Bolt
27. Adjusting Block
28. Set Screw
29. Ram
30. Pillow Block
31. Bolt
32. Safety Rail
33. Ram Clamp Bar
34. Bolt
35. Spring
36. L.H. Gib
37. Bolt
38. T-Nut
39. Washer
40. Bolt
41. Cylinder

# UPPER & LOWER LIMITS ASSEMBLY

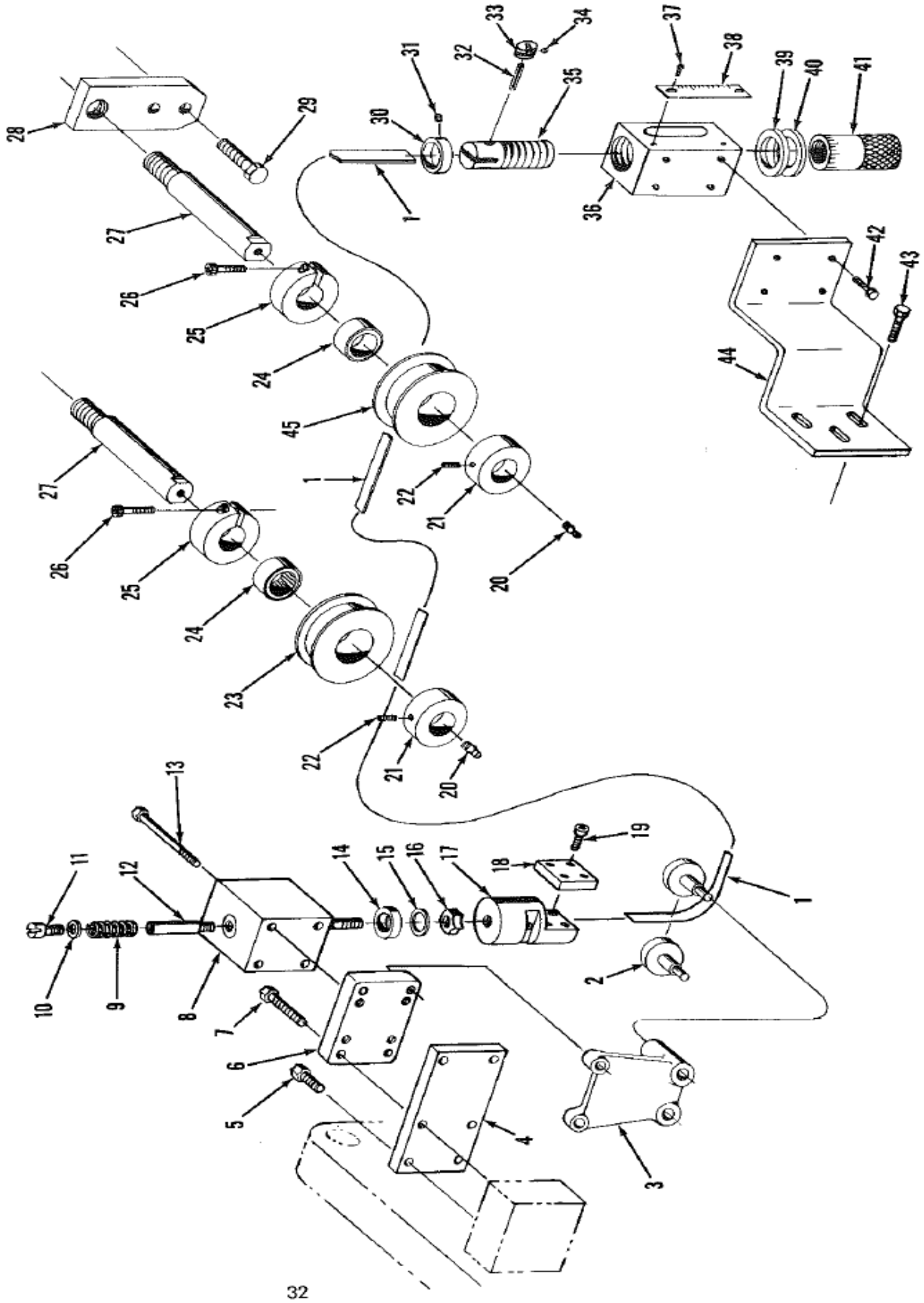


30

## UPPER & LOWER LIMITS ASSEMBLY (Continued)

- |     |               |     |                |
|-----|---------------|-----|----------------|
| 1.  | Handle        | 25. | Pin            |
| 2.  | Pin           | 26. | Bevel Gear     |
| 3.  | Pin           | 27. | Shaft          |
| 4.  | Bevel Gear    | 28. | Retaining Ring |
| 5.  | Counter       | 29. | Set Screws     |
| 6.  | Gear Cover    | 30. | Bushings       |
| 7.  | Screw         | 31. | Bevel Gear     |
| 8.  | Bevel Gear    | 32. | Handle         |
| 9.  | Pin           | 33. | Stops          |
| 10. | Bushing       | 34. | Clamp Nut      |
| 11. | Bracket       | 35. | Clamp Bolt     |
| 12. | Screw         | 36. | Stop Block     |
| 13. | Screw         | 37. | Gage Rod       |
| 14. | "V" Head Bolt | 38. | Screw          |
| 15. | Cam           | 39. | Bracket        |
| 16. | Washer        | 40. | Roll Pin       |
| 17. | Nut           | 41. | Stop Block     |
| 18. | Limit Switch  | 42. | Support        |
| 19. | Screw         | 43. | Bracket        |
| 20. | Plate         | 44. | Bolt           |
| 21. | Bolt          | 45. | Limit Switch   |
| 22. | Bracket       | 46. | Limit Switch   |
| 23. | Capscrew      | 47. | Screw          |
| 24. | Bushing       |     |                |

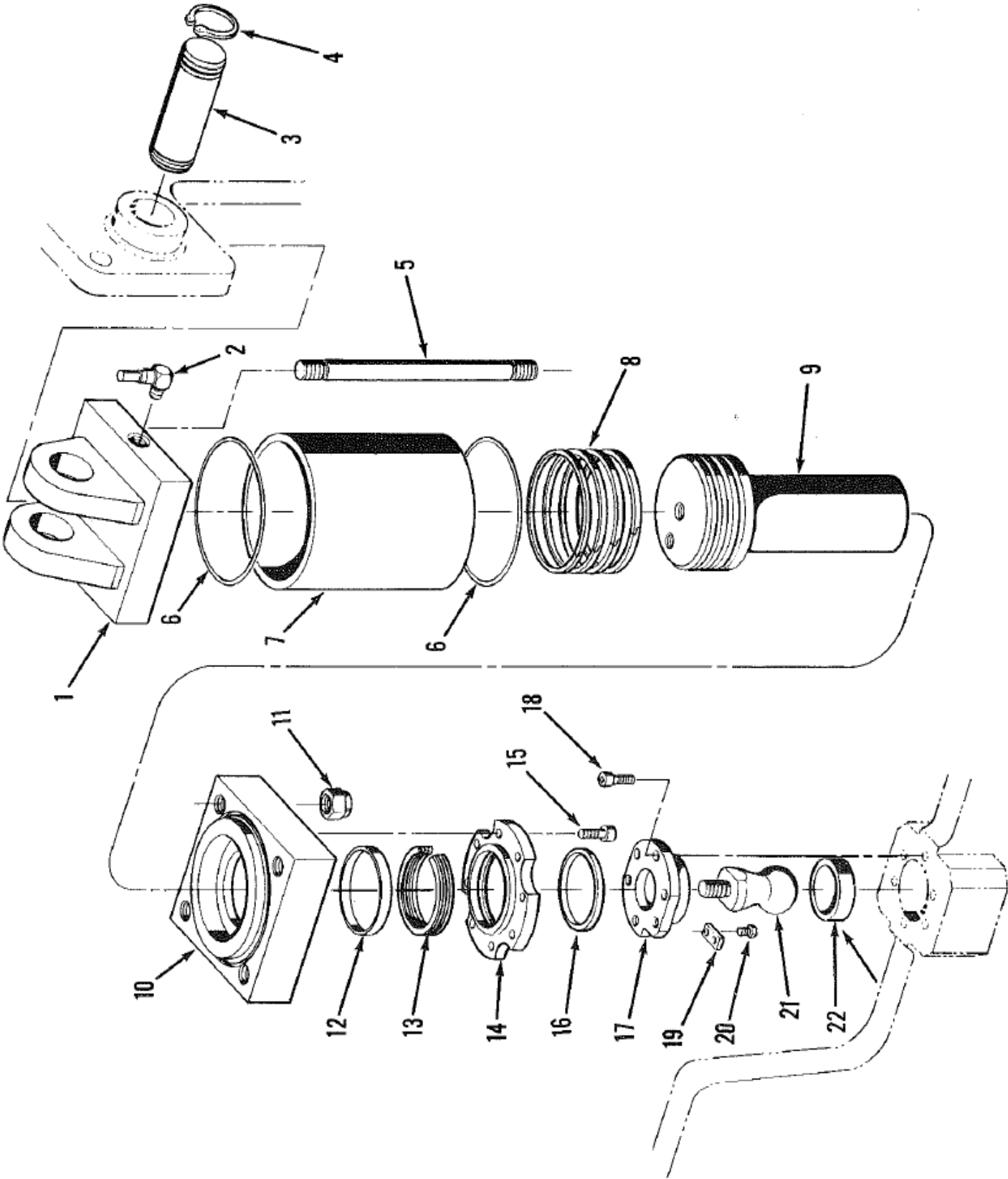
# RAM LEVEL CONTROL



## RAM LEVEL CONTROL (Continued)

- |  |   |
|--|---|
| <ol style="list-style-type: none"> <li>1. Tape</li> <li>2. Cam Followers</li> <li>3. Sub Plate</li> <li>4. Plate</li> <li>5. Bolt</li> <li>6. Servo Sub Plate</li> <li>7. Bolt</li> <li>8. Servo Valve</li> <li>9. Spring</li> <li>10. Washer</li> <li>11. Screw</li> <li>12. Guide Rod</li> <li>13. Valve Mounting Bolt</li> <li>14. Cushion</li> <li>15. Washer</li> <li>16. Nut</li> <li>17. Tape Holder</li> <li>18. Tape Clamp</li> <li>19. Capscrew</li> <li>20. Grease Fitting</li> <li>21. Collar</li> <li>22. Set Screw</li> <li>23. R.H. Tape Idler</li> </ol> | <ol style="list-style-type: none"> <li>24. Bearing</li> <li>25. Collar</li> <li>26. Capscrew</li> <li>27. Shaft</li> <li>28. Bracket</li> <li>29. Bolt</li> <li>30. Collar</li> <li>31. Set Screw</li> <li>32. Roll Pin</li> <li>33. Knob</li> <li>34. Set Screw</li> <li>35. Tape Adjustment Screw</li> <li>36. Screw Housing</li> <li>37. Screw</li> <li>38. Tilt Adjustment Scale</li> <li>39. Bearing</li> <li>40. Thrust Race</li> <li>41. Adjustment Nut</li> <li>42. Bolt</li> <li>43. Bolt</li> <li>44. Bracket</li> <li>45. L.H. Tape Idler</li> </ol> |
|--|---|

HYDRAULIC CYLINDER



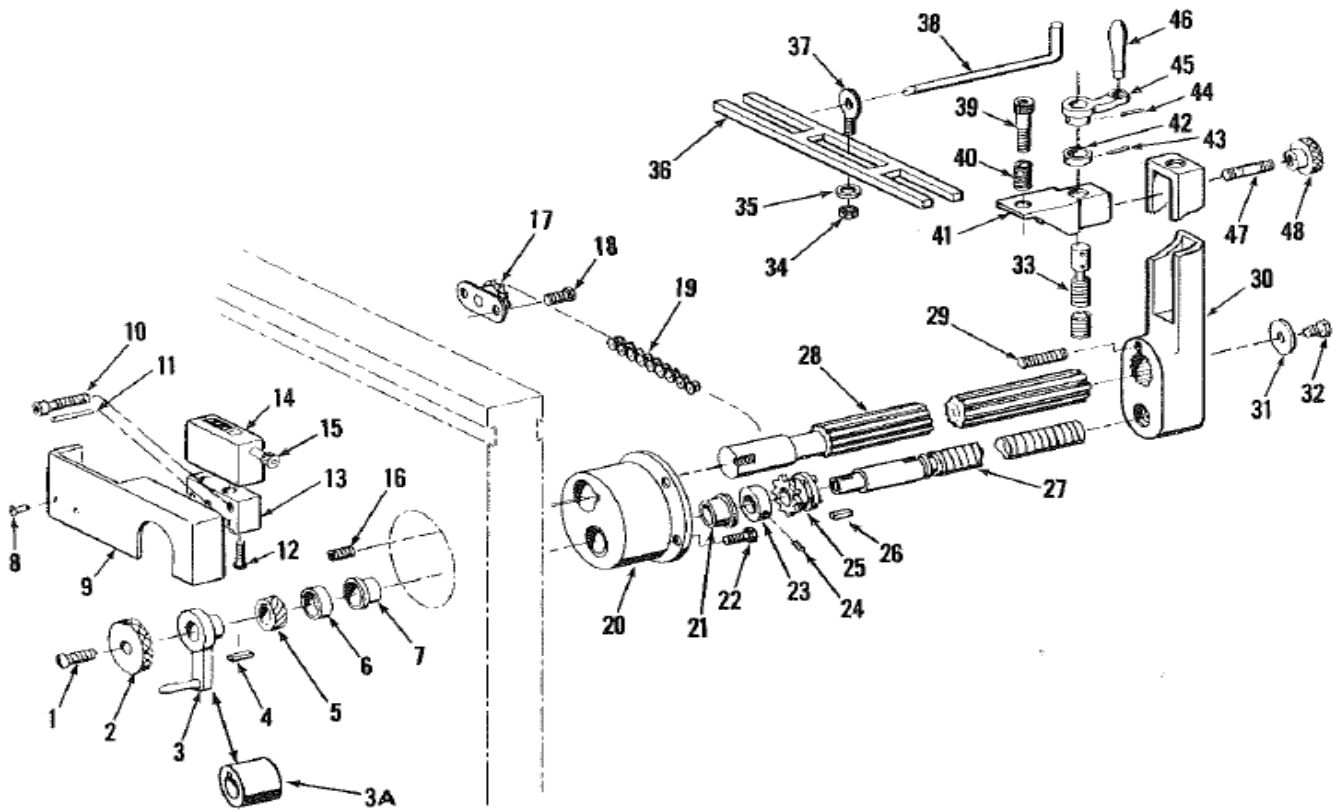
## HYDRAULIC CYLINDER (Continued)

1. Cap\*
2. Fitting
3. Pin
4. Retaining Ring
5. Tie Rod
6. "O" Rings\*
7. Barrel\*
8. Piston Rings\*
9. Piston\*
10. Head\*
11. Lock Nut
12. Wear Ring
13. "V" Packing
14. Packing Gland
15. Capscrew
16. Wiper Ring
17. Ball Screw Cap
18. Mounting Bolt
19. Ball Screw Lock
20. Bolt
21. Ball Screw
22. Ball Seat

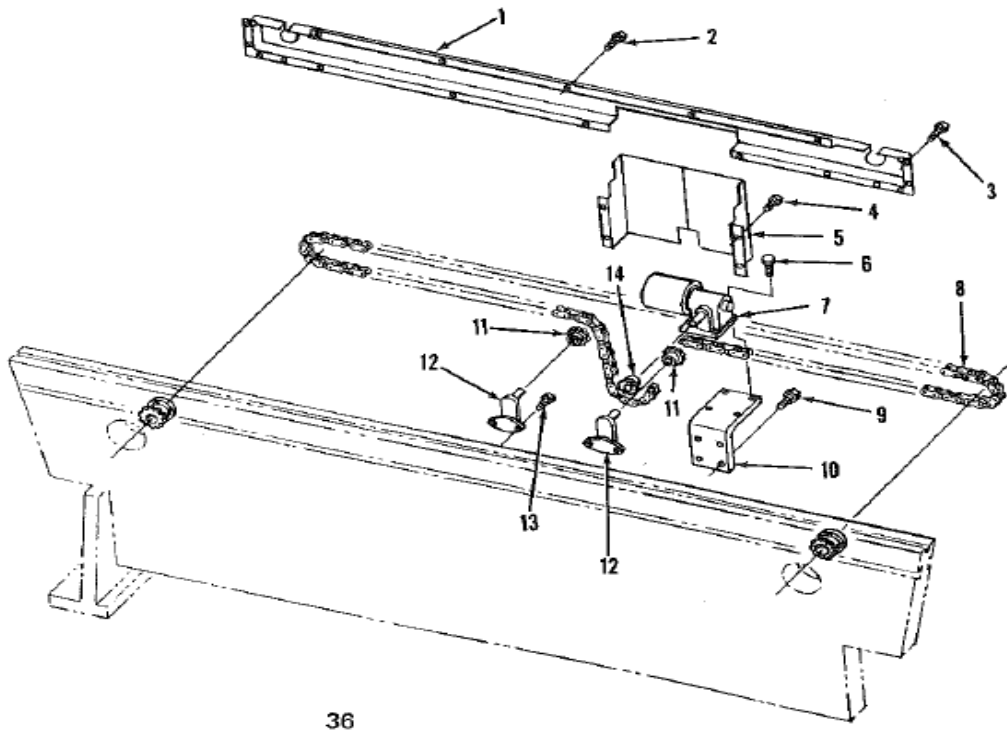
\* Specify R.H. or L.H.



FRONT OPERATED MICROMETER BACKGAGE



ADDITIONAL PARTS FOR FRONT OPERATED MICROMETER BACKGAGE



36

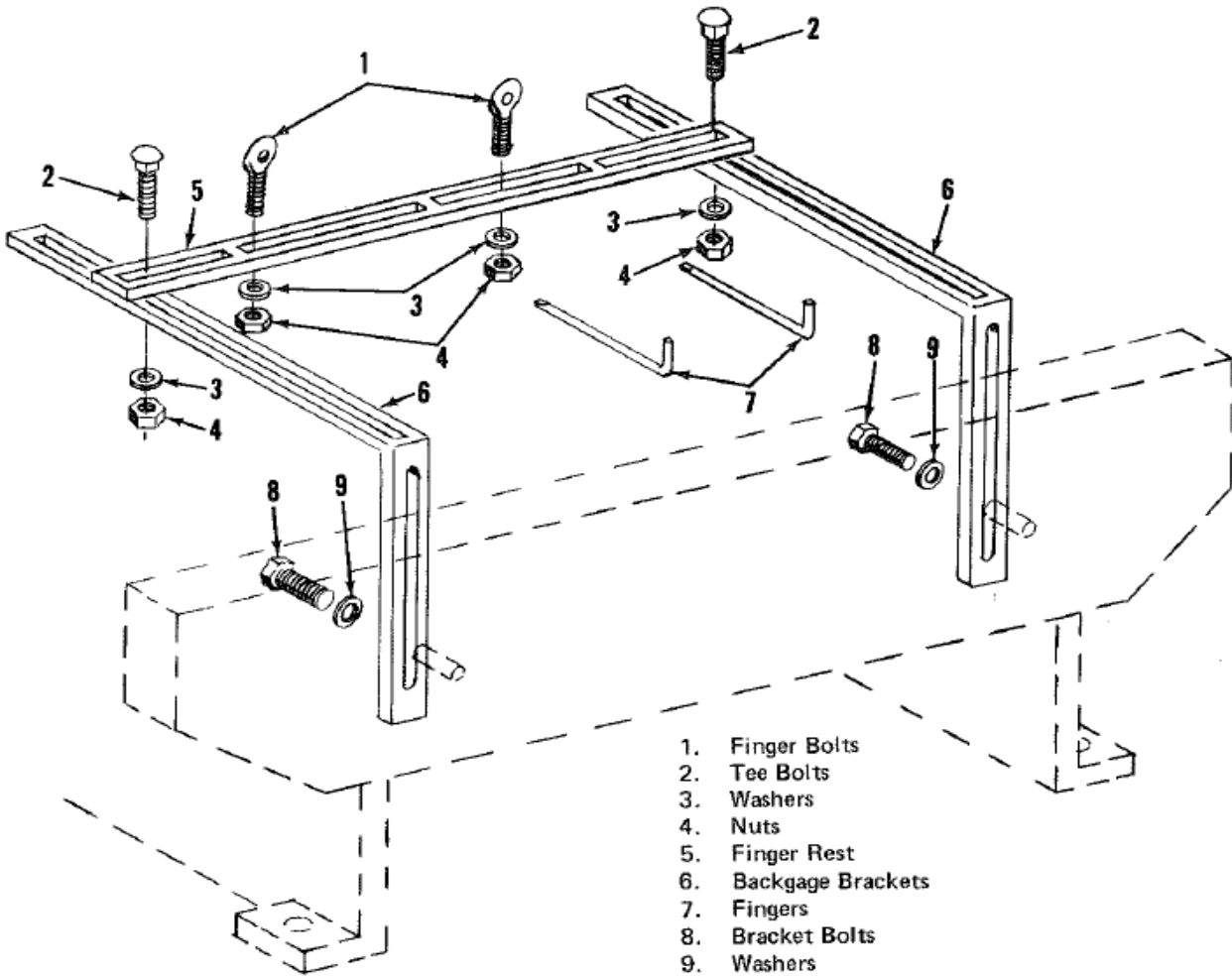
## FRONT OPERATED MICROMETER BACKGAGE (Continued)

- |                                   |                             |
|-----------------------------------|-----------------------------|
| 1. Handle Screw                   | 25. Sprocket                |
| 2. Hand Knob                      | 26. Key                     |
| 3. Hand Crank (Manually Driven)   | 27. Adjusting Screw         |
| 3a. Spacer (Power Driven)         | 28. Guide Rod               |
| 4. Key                            | 29. Set Screw               |
| 5. Helical Gear (Adjusting Screw) | 30. Upright                 |
| 6. Collar                         | 31. Washer                  |
| 7. Bushing                        | 32. Cap Screw               |
| 8. Cover Screw                    | 33. Upright Adjusting Screw |
| 9. Counter Cover                  | 34. Nut                     |
| 10. Mounting Screw                | 35. Washer                  |
| 11. Roll Pin (Used for Location)  | 36. Finger Rest             |
| 12. Counter Mounting Screw        | 37. Finger Bolt             |
| 13. Counter Bracket               | 38. Finger                  |
| 14. Counter                       | 39. Shoulder Bolt           |
| 15. Helical Gear (Counter)        | 40. Spring                  |
| 16. Set Screw                     | 41. Support Arm             |
| 17. Torque Tightening Sprocket    | 42. Collar                  |
| 18. Mounting Bolt                 | 43. Roll Pin                |
| 19. Chain                         | 44. Roll Pin                |
| 20. Cartridge                     | 45. Hand Crank              |
| 21. Bushing                       | 46. Handle                  |
| 22. Mounting Bolt                 | 47. Stud                    |
| 23. Collar                        | 48. Knurled Knob            |
| 24. Set Screw                     |                             |

## ADDITIONAL PARTS FOR FRONT OPERATED MICROMETER BACKGAGE (Continued)

- |                   |                     |
|-------------------|---------------------|
| 1. Chain Guard    | 8. Chain            |
| 2. Screw          | 9. Bolt             |
| 3. Screw          | 10. Motor Bracket   |
| 4. Bolt           | 11. Sprocket Idlers |
| 5. Sprocket Guard | 12. Tightener       |
| 6. Bolt           | 13. Bolt            |
| 7. Motor          | 14. Drive Sprocket  |

## STANDARD BACKGAGE



1. Finger Bolts
2. Tee Bolts
3. Washers
4. Nuts
5. Finger Rest
6. Backgage Brackets
7. Fingers
8. Bracket Bolts
9. Washers

## MICROMETER TYPE BACKGAGE

10. "V" Bolt
11. Backgage Base
12. Lockwasher
13. Locknut
14. Bracket
15. Tee Bolts
16. Micrometer Stud
17. Micrometer Support
18. Nut
19. Micrometer Nut
20. Jam Nut
21. Cap Screw
22. Finger Support
23. Finger

