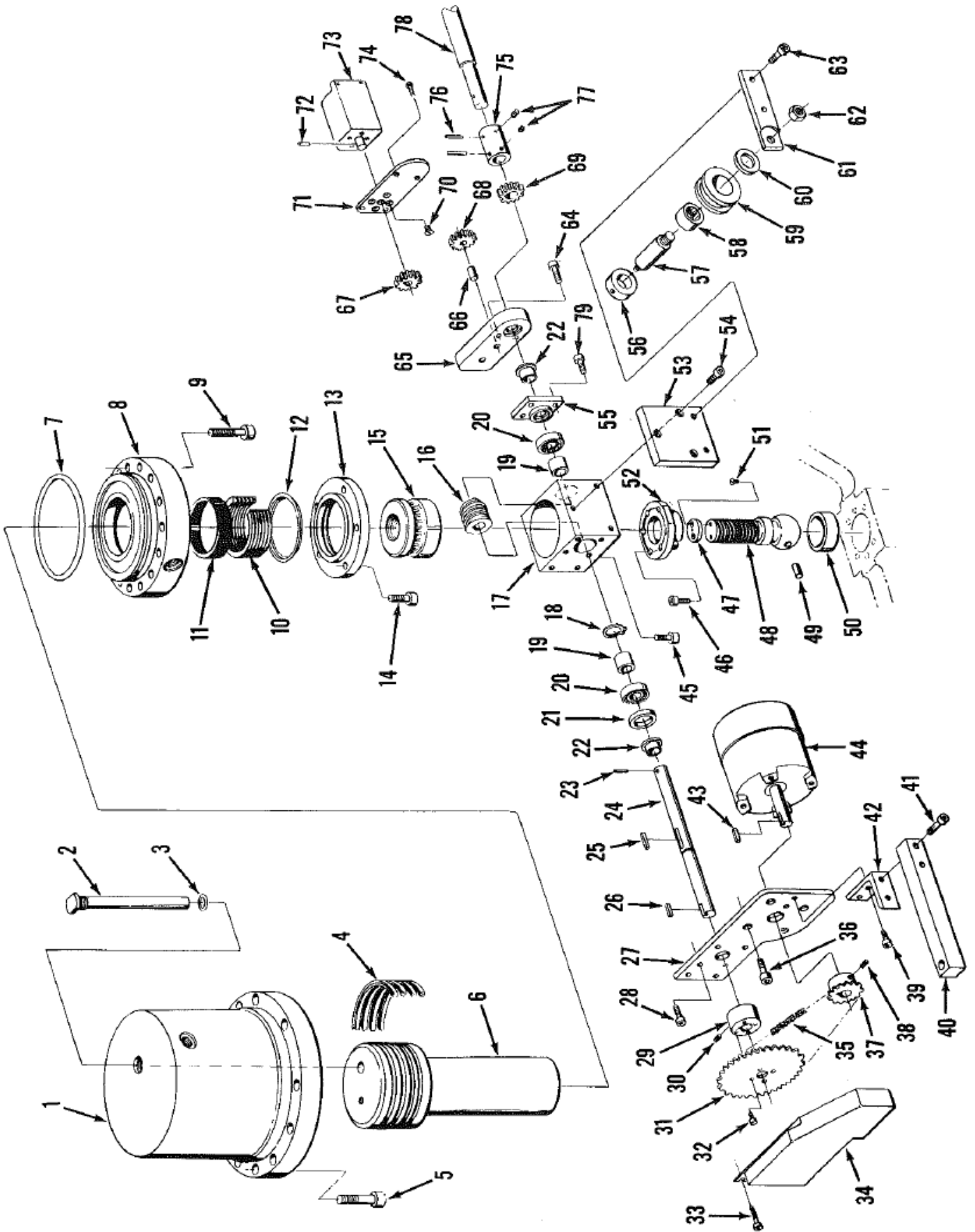


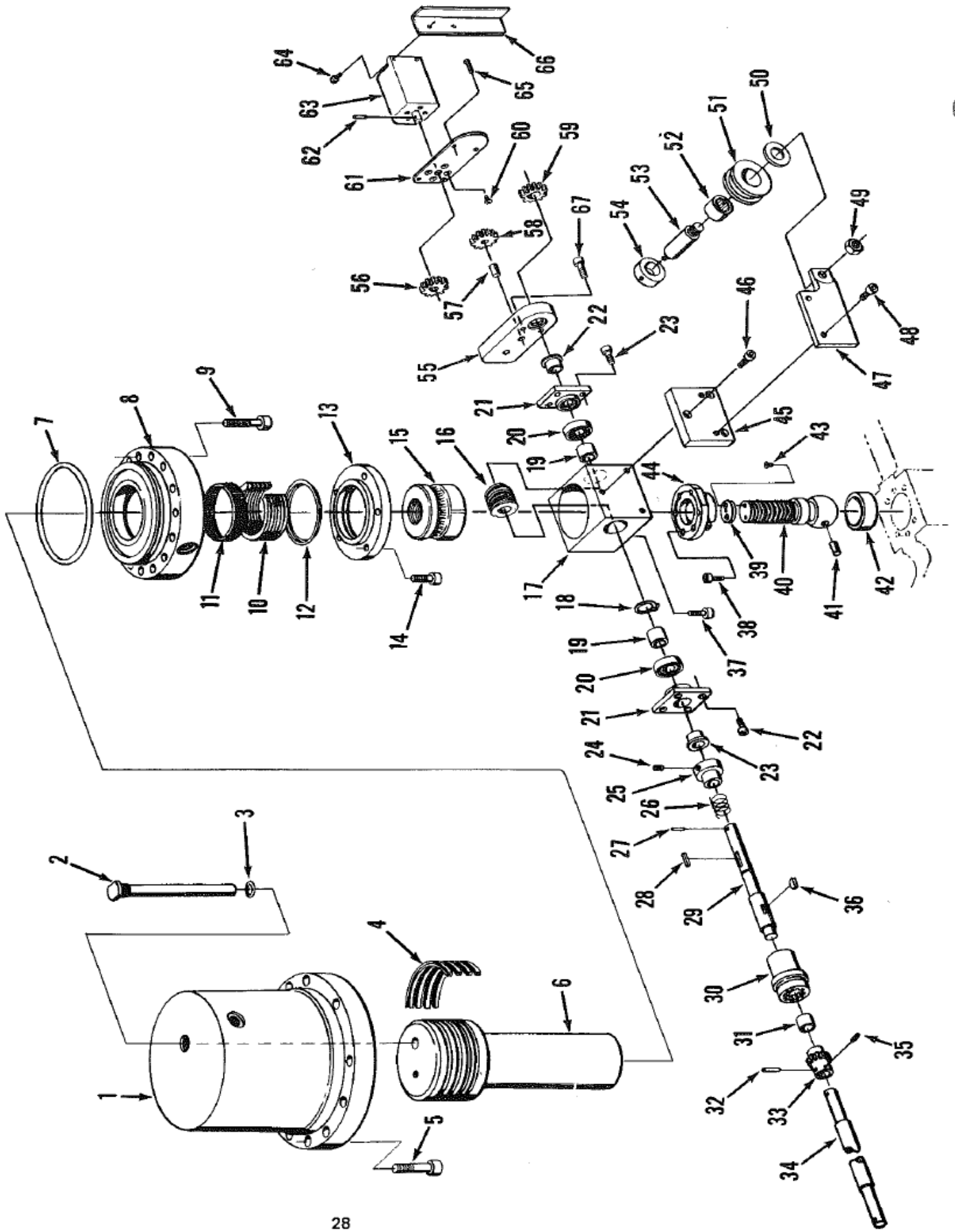
FRAME

1. Main Motor and Hydraulic Pump
2. Bolt
3. Valve Manifold
4. Bolt
5. Reservoir Cover
6. Bolt
7. L.H. Reservoir Cover Plate
8. Oil Level Gage
9. R.H. Reservoir Cover Plate
10. Bolt
11. Temperature Gage
12. Frame
13. Ram Adjust Control
14. Control Mounting Bolt
15. Actuator Bar
16. Electrical Control Box
17. Bolt
18. Ram Directional Control
19. Filler Block
20. R.H. Gib
21. Bolt
22. Gib Liner (R.H. & L.H.)
23. Liner Mounting Bolt
24. Ram Liner (R.H. & L.H.)
25. Pivot Shoe
26. Pivot Block Retainer
27. Retainer Mounting Bolt
28. Pivot Block
29. Set Screw
30. Adjusting Block
31. Bolt
32. Crown Shield
33. Ram
34. Ram Clamp Bar
35. Clamp Mounting Bolt
36. L.H. Gib
37. Washer
38. Capscrew
39. T-Nut
40. Cylinder
41. Spring
42. Safety Rail
43. Pillow Block
44. Bolt



R.H. HYDRAULIC CYLINDER

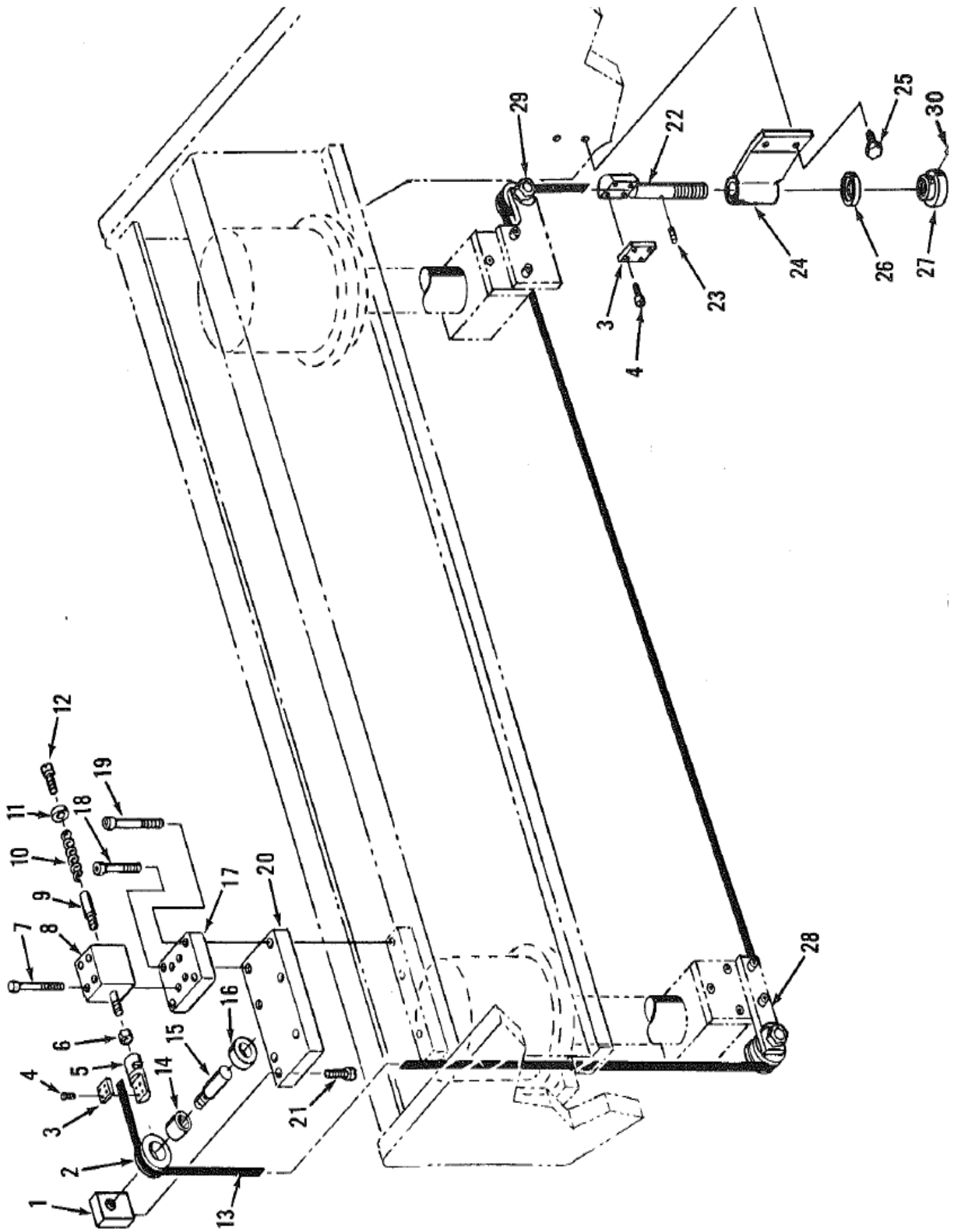
- | | | | |
|-----|------------------------|-----|--------------------|
| 1. | R.H. Cylinder | 41. | Capscrew |
| 2. | Pin | 42. | Angle |
| 3. | "O" Ring Seal | 43. | Key |
| 4. | Piston Rings | 44. | Motor |
| 5. | Capscrew | 45. | Capscrew |
| 6. | Piston | 46. | Capscrew |
| 7. | "O" Ring Seal | 47. | Stop Plate |
| 8. | Cylinder Cap | 48. | Ball Screw |
| 9. | Capscrew | 49. | Dowel |
| 10. | "V" Packing | 50. | Ball Seat |
| 11. | Wear Ring | 51. | Screw |
| 12. | Wiper Ring | 52. | Ball Screw Cap |
| 13. | Packing Gland | 53. | Plate |
| 14. | Capscrew | 54. | Capscrew |
| 15. | Ball Screw Nut | 55. | Bearing Cartridge |
| 16. | Worm Gear | 56. | Collar |
| 17. | Ram Adjusting Gear Box | 57. | Shaft |
| 18. | Retaining Ring | 58. | Bearing |
| 19. | Spacer | 59. | Tape Idler |
| 20. | Bearing | 60. | Thrust Bearing |
| 21. | Spacer | 61. | Plate |
| 22. | Bushing | 62. | Nut |
| 23. | Pin | 63. | Capscrew |
| 24. | Worm Gear Shaft | 64. | Capscrew |
| 25. | Key | 65. | Gear Box |
| 26. | Key | 66. | Shaft |
| 27. | Motor Mount | 67. | Counter Gear |
| 28. | Capscrew | 68. | Intermediate Gear |
| 29. | Sprocket Hub | 69. | Counter Drive Gear |
| 30. | Set Screw | 70. | Screw |
| 31. | Sprocket | 71. | Gear Box Cover |
| 32. | Capscrew | 72. | Pin |
| 33. | Capscrew | 73. | Counter |
| 34. | Guard | 74. | Capscrew |
| 35. | Chain | 75. | Coupling |
| 36. | Capscrew | 76. | Pin |
| 37. | Sprocket | 77. | Set Screw |
| 38. | Set Screw | 78. | Shaft |
| 39. | Capscrew | 79. | Capscrew |
| 40. | Bar | | |



28

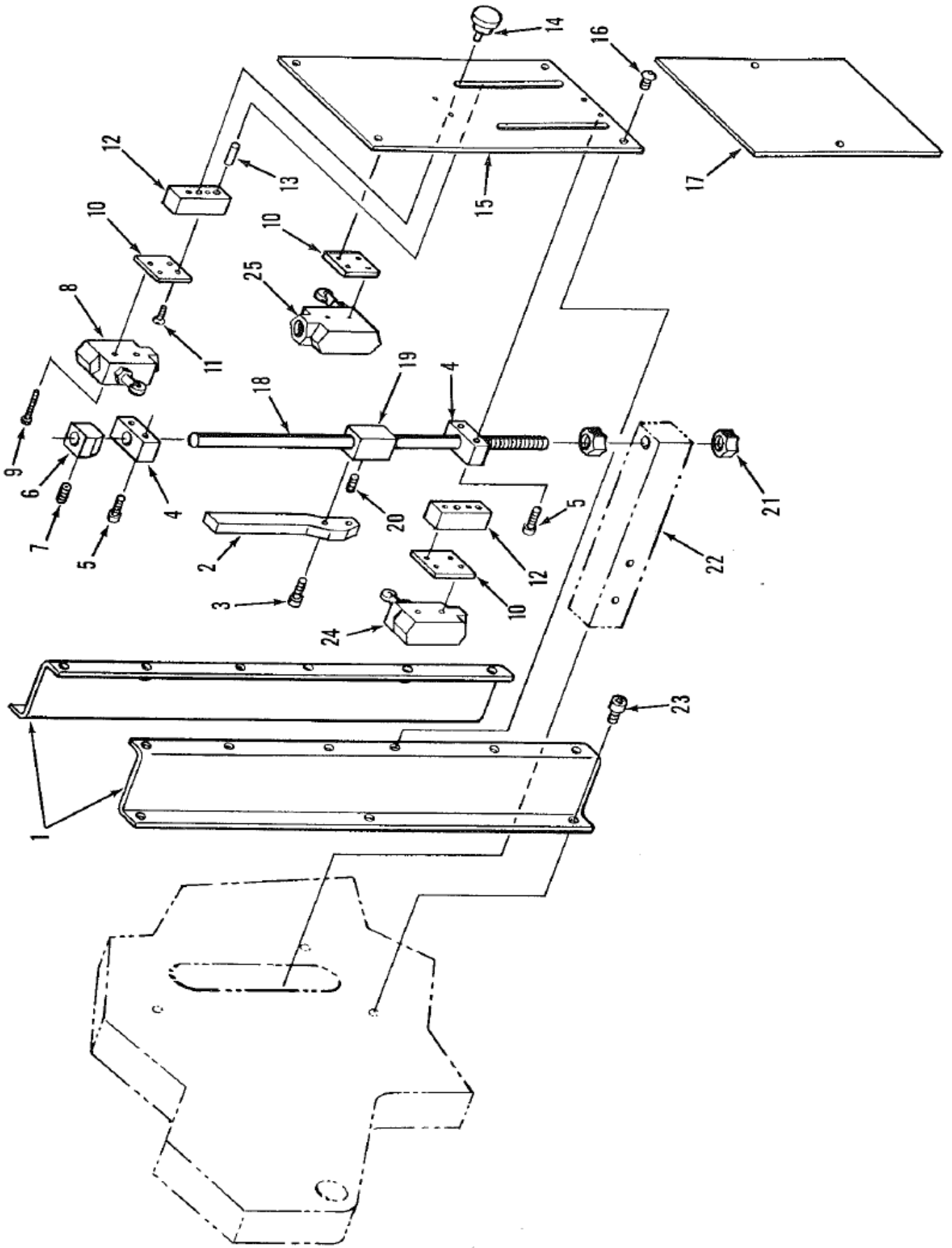
L.H. HYDRAULIC CYLINDER

- | | | | |
|-----|------------------------|-----|--------------------|
| 1. | L.H. Cylinder | 35. | Set Screw |
| 2. | Pin | 36. | Key |
| 3. | "O" Ring | 37. | Capscrew |
| 4. | Piston Rings | 38. | Capscrew |
| 5. | Capscrew | 39. | Stop Plate |
| 6. | Piston | 40. | Ball Screw |
| 7. | "O" Ring | 41. | Dowel |
| 8. | Cylinder Cap | 42. | Ball Seat |
| 9. | Capscrew | 43. | Screw |
| 10. | "V" Packing | 44. | Ball Screw Cap |
| 11. | Wear Ring | 45. | Plate |
| 12. | Wiper Ring | 46. | Capscrew |
| 13. | Packing Gland | 47. | Plate |
| 14. | Capscrew | 48. | Capscrew |
| 15. | Ball Screw Nut | 49. | Nut |
| 16. | Worm Gear | 50. | Thrust Bearing |
| 17. | Ram Adjusting Gear Box | 51. | Tape Idler |
| 18. | Retaining Ring | 52. | Bearing |
| 19. | Spacer | 53. | Bearing Shaft |
| 20. | Bearing | 54. | Collar |
| 21. | Bearing Cartridge | 55. | Gear Box |
| 22. | Bushing | 56. | Counter Gear |
| 23. | Capscrew | 57. | Shaft |
| 24. | Set Screw | 58. | Intermediate Gear |
| 25. | Collar | 59. | Counter Drive Gear |
| 26. | Spring | 60. | Screw |
| 27. | Pin | 61. | Cover |
| 28. | Key | 62. | Roll Pin |
| 29. | Worm Gear Shaft | 63. | Counter |
| 30. | Coupling Sleeve | 64. | Screw |
| 31. | Bushing | 65. | Capscrew |
| 32. | Pin | 66. | Guard |
| 33. | Coupling Gear | 67. | Capscrew |
| 34. | Shaft | | |



LEVELING TAPE ASSEMBLY

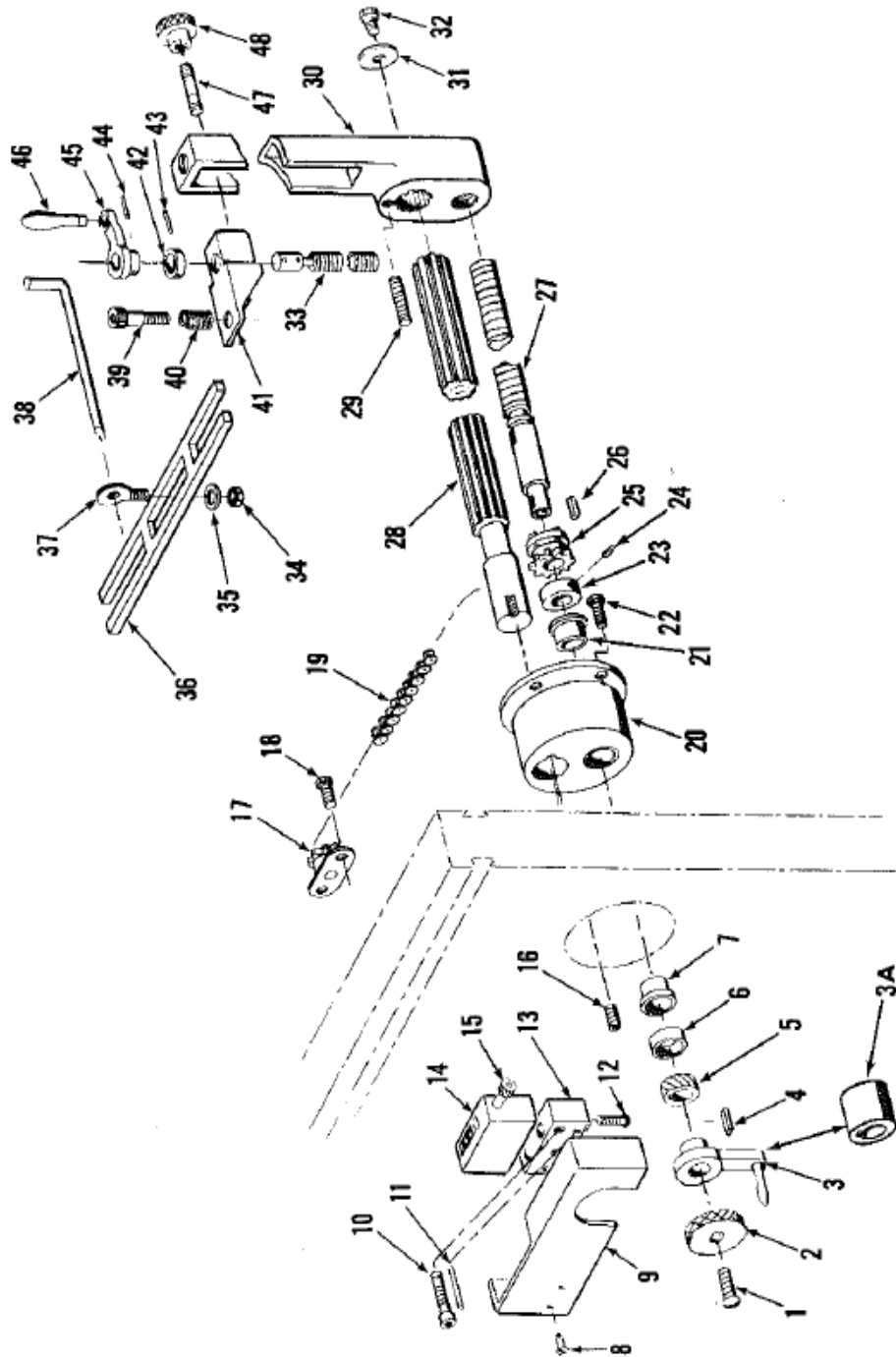
1. Block
2. Tape Idler
3. Tape Clamps
4. Cap Screws
5. Tape Holder
6. Nut
7. Cap Screw
8. Servo Valve
9. Rod
10. Spring
11. Washer
12. Screw
13. Tape
14. Bearing
15. Shaft
16. Collar
17. Valve Sub Plate
18. Cap Screw
19. Cap Screw
20. Plate
21. Bolt
22. Tape Adjusting Screw
23. Pin
24. Bracket
25. Cap Screw
26. Thrust Washer
27. Adjusting Nut
28. Tape Idler Assembly (R.H.)
29. Tape Idler Assembly (L.H.)
30. Set Screw



RAM ADJUST CONTROL

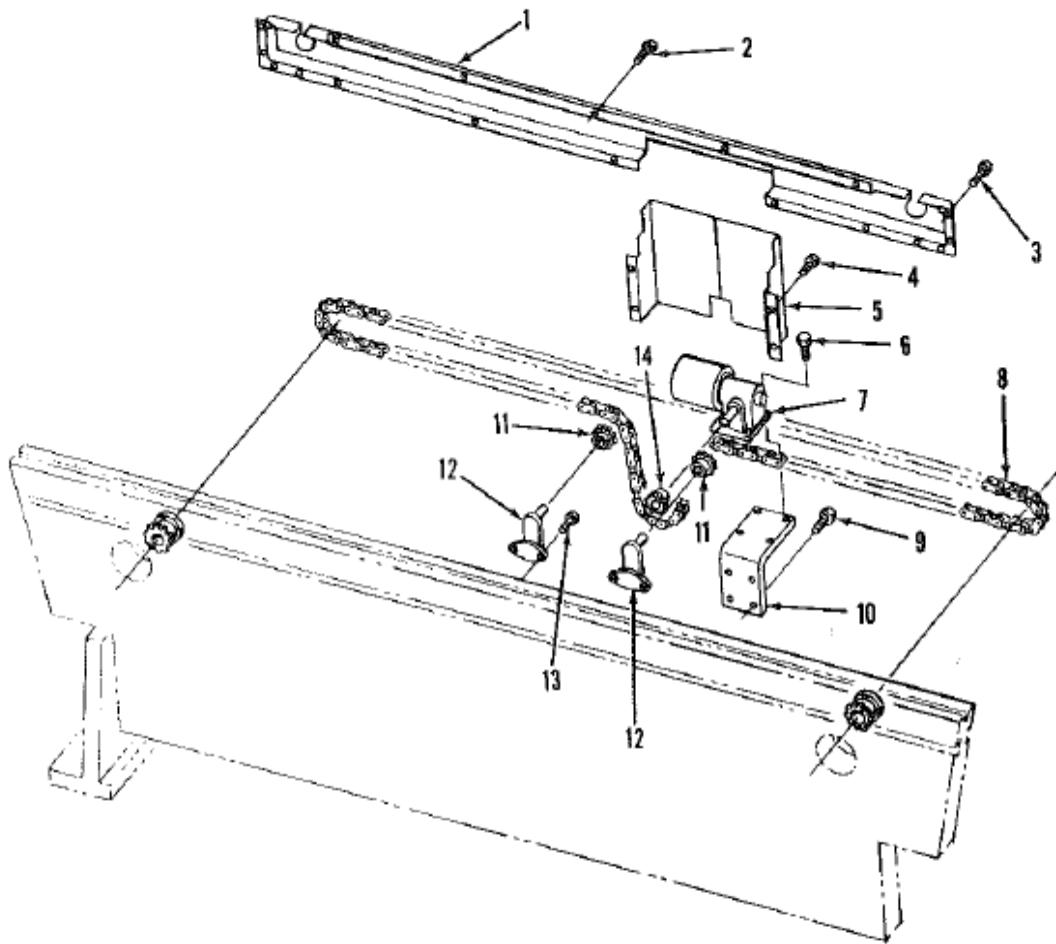
1. Zee Frames
2. Cam
3. Cap Screw
4. Block Bearing
5. Cap Screws
6. Cam Anti-Backbend
7. Set Screw
8. Limit Switch (Speed)
9. Screw
10. Plate
11. Screw
12. Switch Mounting Block
13. Pin
14. Knob
15. Upper Cover Plate
16. Screw
17. Lower Cover Plate
18. Rod
19. Cam Mounting Block
20. Set Screw
21. Nut
22. Actuator Bar
23. Screw
24. Limit Switch (Strokes)
25. Limit Switch (Anti-Back Bend)

FRONT OPERATED MICROMETER BACKGAGE



- | | | | |
|-----|--------------------------------|-----|-------------------------|
| 1. | Handle Screw | 25. | Sprocket |
| 2. | Hand Knob | 26. | Key |
| 3. | Hand Crank (Manually Driven) | 27. | Adjusting Screw |
| 3a. | Spacer (Power Driven) | 28. | Guide Rod |
| 4. | Key | 29. | Set Screw |
| 5. | Helical Gear (Adjusting Screw) | 30. | Upright |
| 6. | Collar | 31. | Washer |
| 7. | Bushing | 32. | Cap Screw |
| 8. | Cover Screw | 33. | Upright Adjusting Screw |
| 9. | Counter Cover | 34. | Nut |
| 10. | Mounting Screw | 35. | Washer |
| 11. | Roll Pin (Used for Location) | 36. | Finger Rest |
| 12. | Counter Mounting Screw | 37. | Finger Bolt |
| 13. | Counter Bracket | 38. | Finger |
| 14. | Counter | 39. | Shoulder Bolt |
| 15. | Helical Gear (Counter) | 40. | Spring |
| 16. | Set Screw | 41. | Support Arm |
| 17. | Torque Tightening Sprocket | 42. | Collar |
| 18. | Mounting Bolt | 43. | Roll Pin |
| 19. | Chain | 44. | Roll Pin |
| 20. | Cartridge | 45. | Hand Crank |
| 21. | Bushing | 46. | Handle |
| 22. | Mounting Bolt | 47. | Stud |
| 23. | Collar | 48. | Knurled Knob |
| 24. | Set Screw | | |

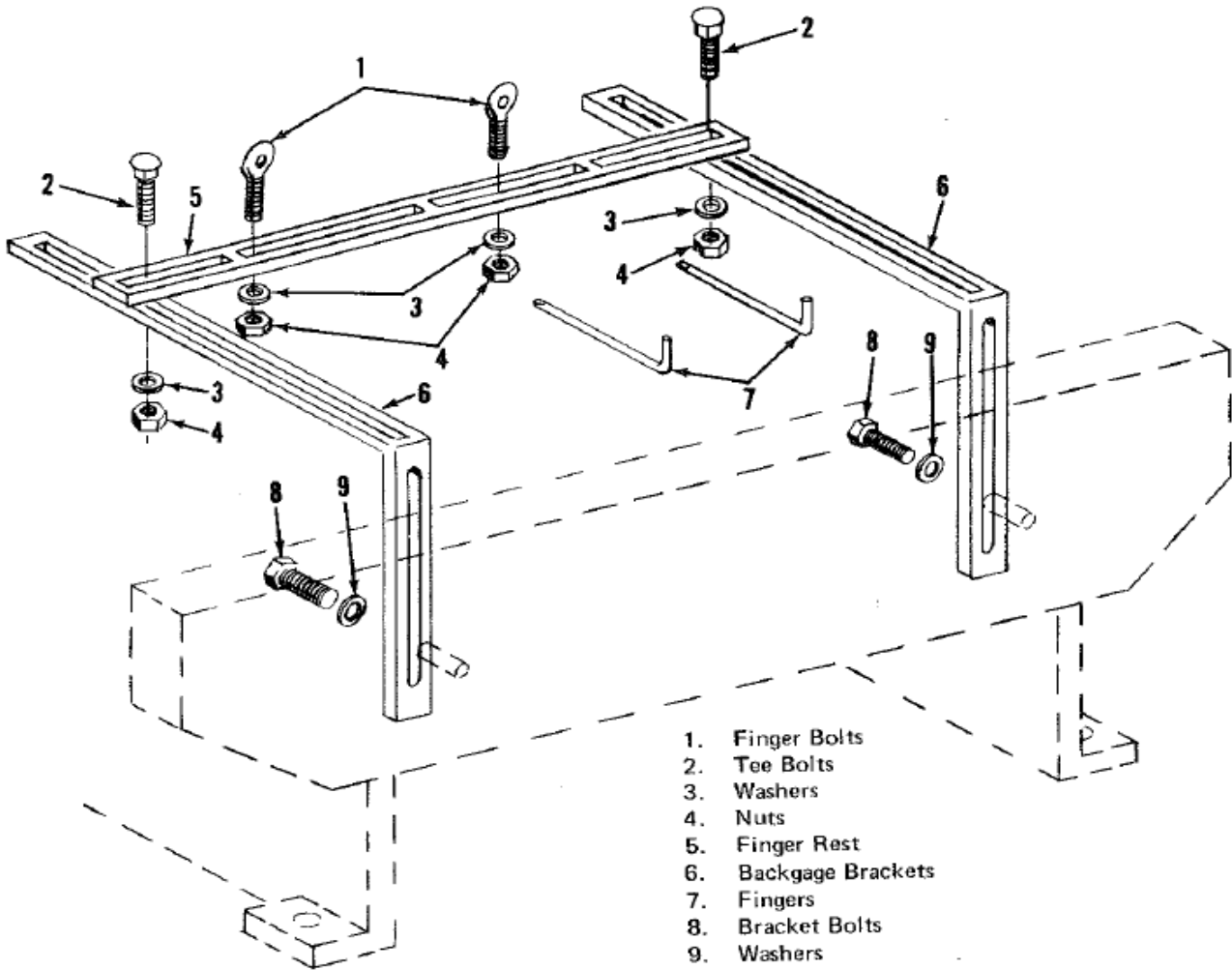
ADDITIONAL PARTS FOR FRONT OPERATED MICROMETER BACKGAGE



1. Chain Guard
2. Screw
3. Screw
4. Bolt
5. Sprocket Guard
6. Bolt
7. Motor

8. Chain
9. Bolt
10. Motor Bracket
11. Sprocket Idlers
12. Tightener
13. Bolt
14. Drive Sprocket

STANDARD BACKGAGE



1. Finger Bolts
2. Tee Bolts
3. Washers
4. Nuts
5. Finger Rest
6. Backgage Brackets
7. Fingers
8. Bracket Bolts
9. Washers

MICROMETER TYPE BACKGAGE

10. "V" Bolt
11. Backgage Base
12. Lockwasher
13. Locknut
14. Bracket
15. Tee Bolts
16. Micrometer Stud
17. Micrometer Support
18. Nut
19. Micrometer Nut
20. Jam Nut
21. Cap Screw
22. Finger Support
23. Finger

