

HI-LO DRIVE - MODELS IB-90 and LARGER

REACTION BRAKE

- 1. Shaft
- 2. Retaining Ring
- 3. Bearing
- 4. Spring
- 5. "O" Ring
- 6. Cylinder
- 7. Piston
- 8. "O" Ring
- 9. Screw
- 10. Disc Assembly
- 11. Drive Ring
- 12. Pressure Plate
- 13. Hub Plate
- 14. Adapter
- 15. Bearing
- 16. Bearing
- 17. Reaction Hub
- 18. Retainer Ring
- 19. Output Hub
- 20. Cap Screw
- 21. Sleeve
- 22. Flywheel
- 23. Locking Assemblys (2)
(See Form A-38)

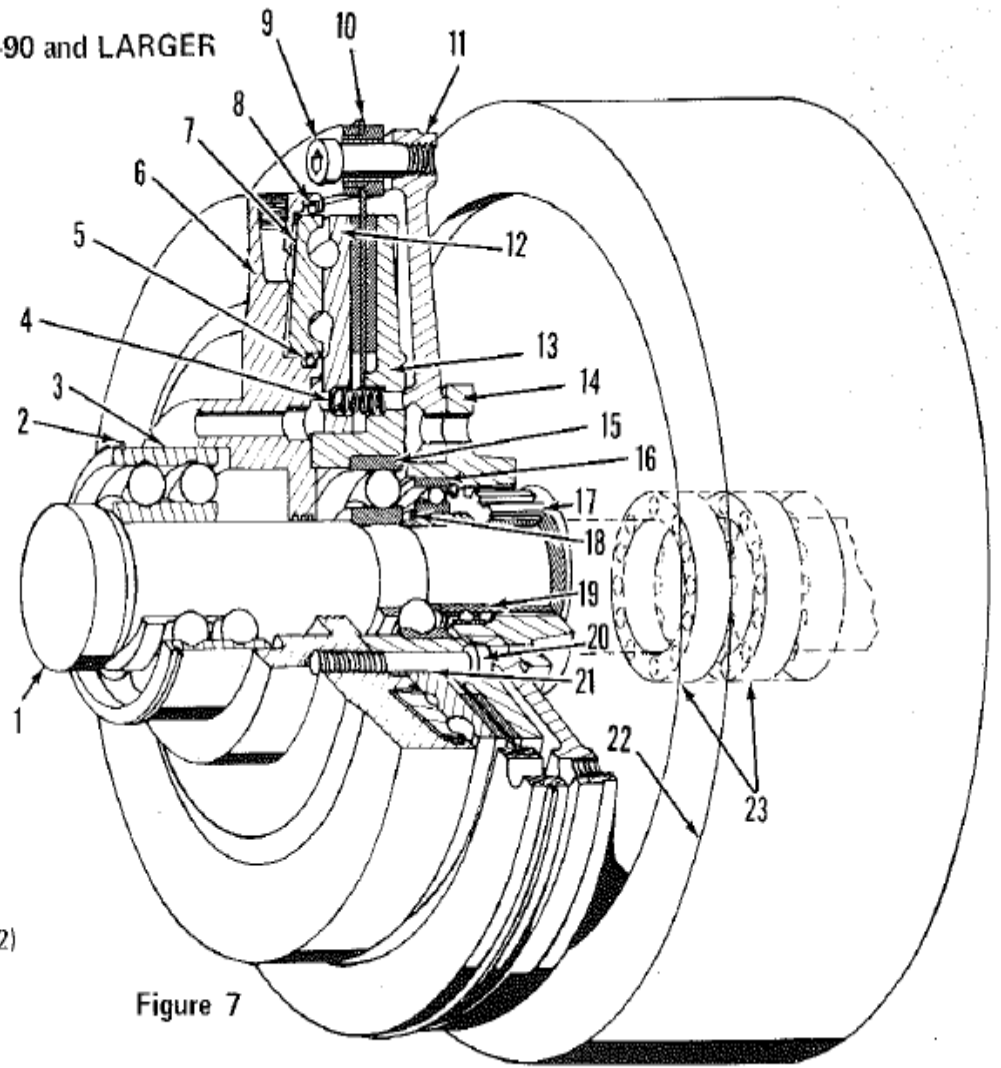


Figure 7