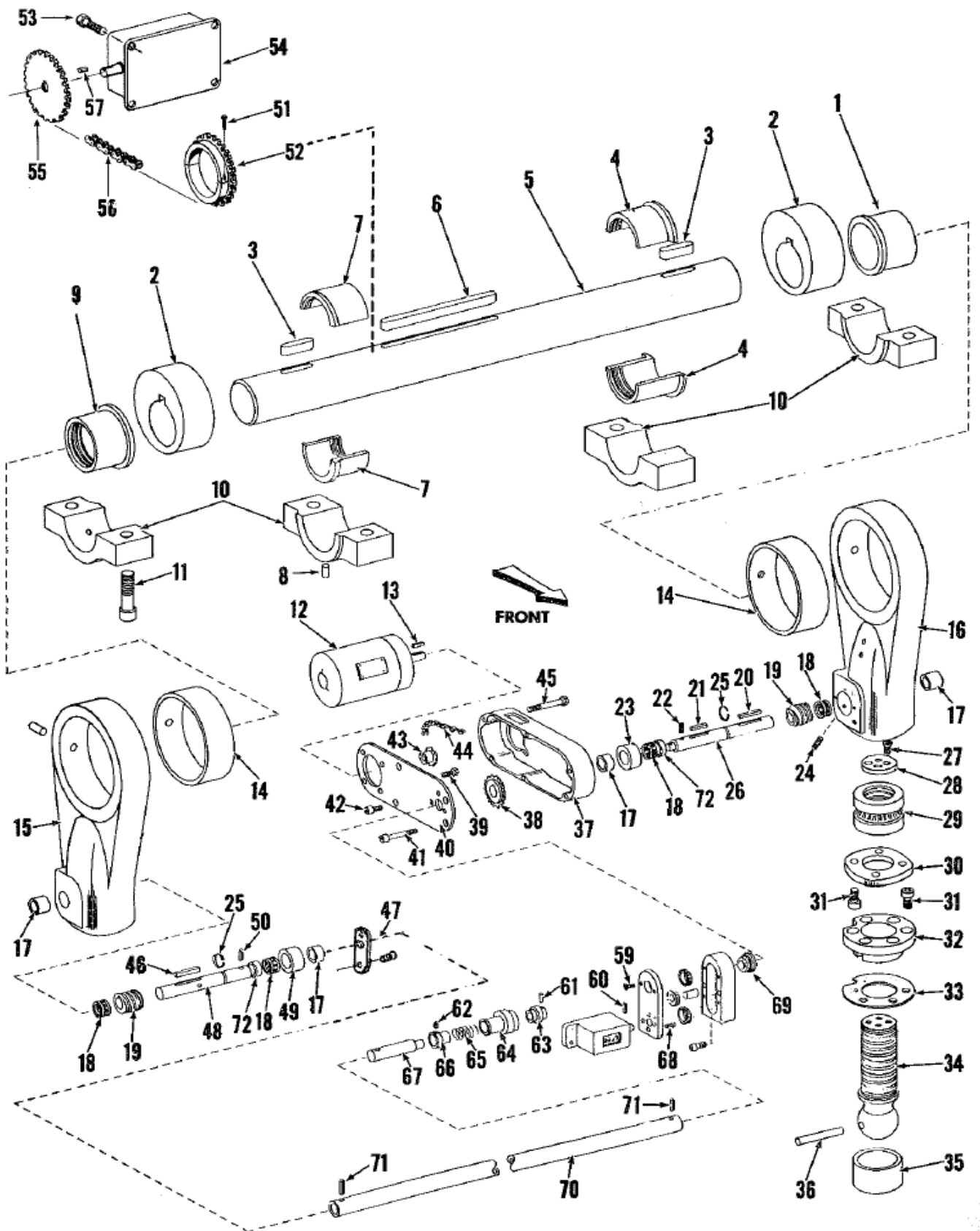


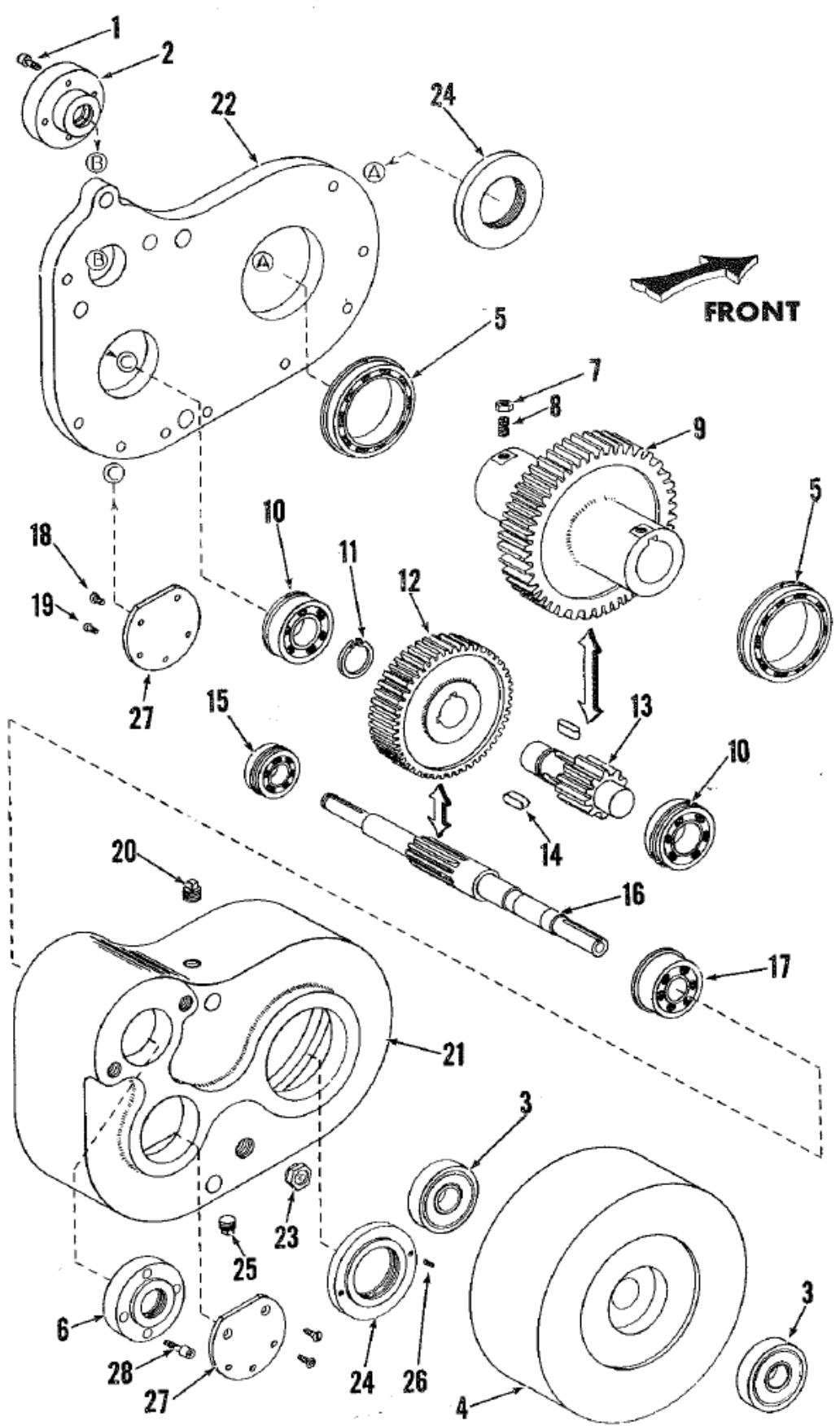
## FRAME - SLIDE

1. Foot Switch
2. Bracket Screws
3. Push Button Station Bracket
4. Control Box
5. Cotter Keys (optional)
6. Knockout Bars (optional)
7. Lock Screw (optional)
8. Knockout Pin (optional)
9. Support Screw (optional)
10. Knockout Support (optional)
11. Bolster Nut
12. Bolster Washer
13. Bolster Screw
14. Bolster Plate
15. Retaining Rings
16. Yoke Pin
17. Yoke
18. Locknut
19. Air Counterbalance Cylinder, see Manufacturer's parts list
20. Cylinder Pin
21. Retaining Rings
22. Rear Gib
23. Rear Gib Liner
24. Gib Lock Screw
25. Lockwasher
26. Adjusting Locknut
27. Adjusting Screw
28. Gib Screw
29. Gib Spacers
30. Front R.H. Gib
- 30 L Front L.H. Gib (not shown)
31. Front Gib Liner
32. Slide
33. Frame



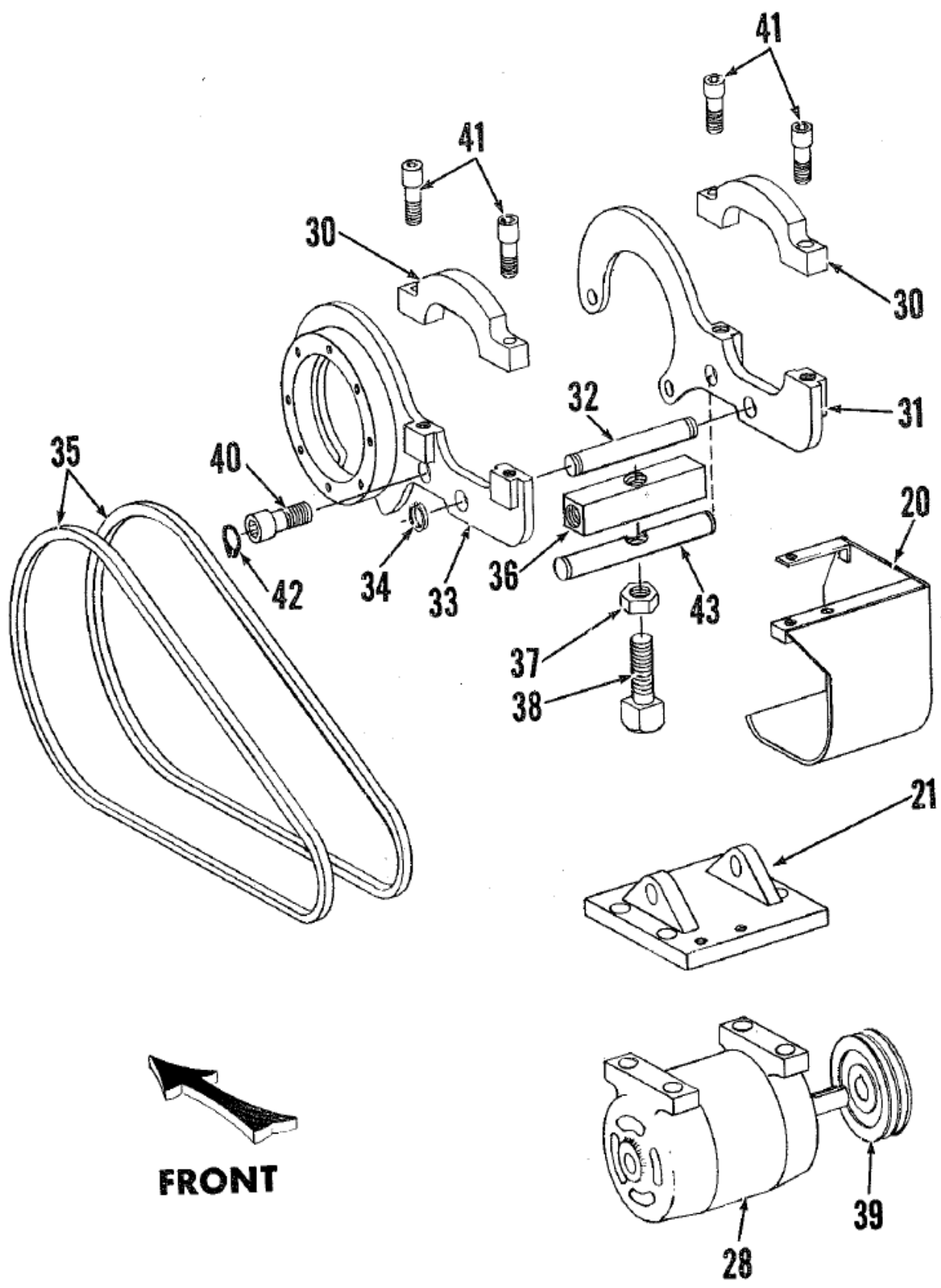
## ECCENTRIC SHAFT AND SLIDE ADJUSTING MECHANISM

1. Bronze Bushing
2. Eccentric Cams
3. Eccentric Cam Keys
4. Split Flanged Bronze Bushing
5. Eccentric Shaft
6. Gear Reducer Key
7. Split Bronze Bushing
8. Dowel
9. Flanged Bronze Bushing
10. Bearing Caps
11. Socket Head Cap Screws
12. Slide Adjusting Motor
13. Motor Shaft Key
14. Connection Bushing
15. Left Connection
16. Right Connection
17. Bronze Bushing
18. Thrust Bearings
19. Worm
20. Worm Key
21. Sprocket Key
22. Roll Pin
23. Bearing Retainer
24. Retainer Set Screw
25. Retaining Ring
26. Right Adjusting Shaft
27. Stop Plate Screws
28. Stop Plate
29. Adjusting Nut
30. Connection Cover
31. Socket Head Capscrews
32. Ball Cover Right Hand
- 32 A Left Hand Ball Cover
33. Shims
34. Ball Screw
35. Ball Seat
36. Ball Pin
37. Sprocket Box
38. Large Sprocket
39. Motor Screw
40. Box Cover
41. Sprocket Box Mounting Screws
42. Cover Screws
43. Small Sprocket
44. Chain
45. Motor Screw
46. Worm Key
47. Plate
48. Left Adjusting Shaft
49. Bearing Retainer
50. Roll Pin
51. Screws
52. Split Sprocket
53. Mounting Screw
54. Limit Switch
55. L.S. Sprocket
56. Chain
57. Key
59. Cover Screw
60. Roll Pin
61. Roll Pin
62. Set Screw
63. Coupling Gear
64. Adjusting Sleeve
65. Spring
66. Sleeve Stop
67. Inner Worm Shaft
68. Counter Screws
69. Flanged Bushing
70. Adjusting Shaft Connection Tube
71. Roll Pins
72. Spacer



## GEAR BOX

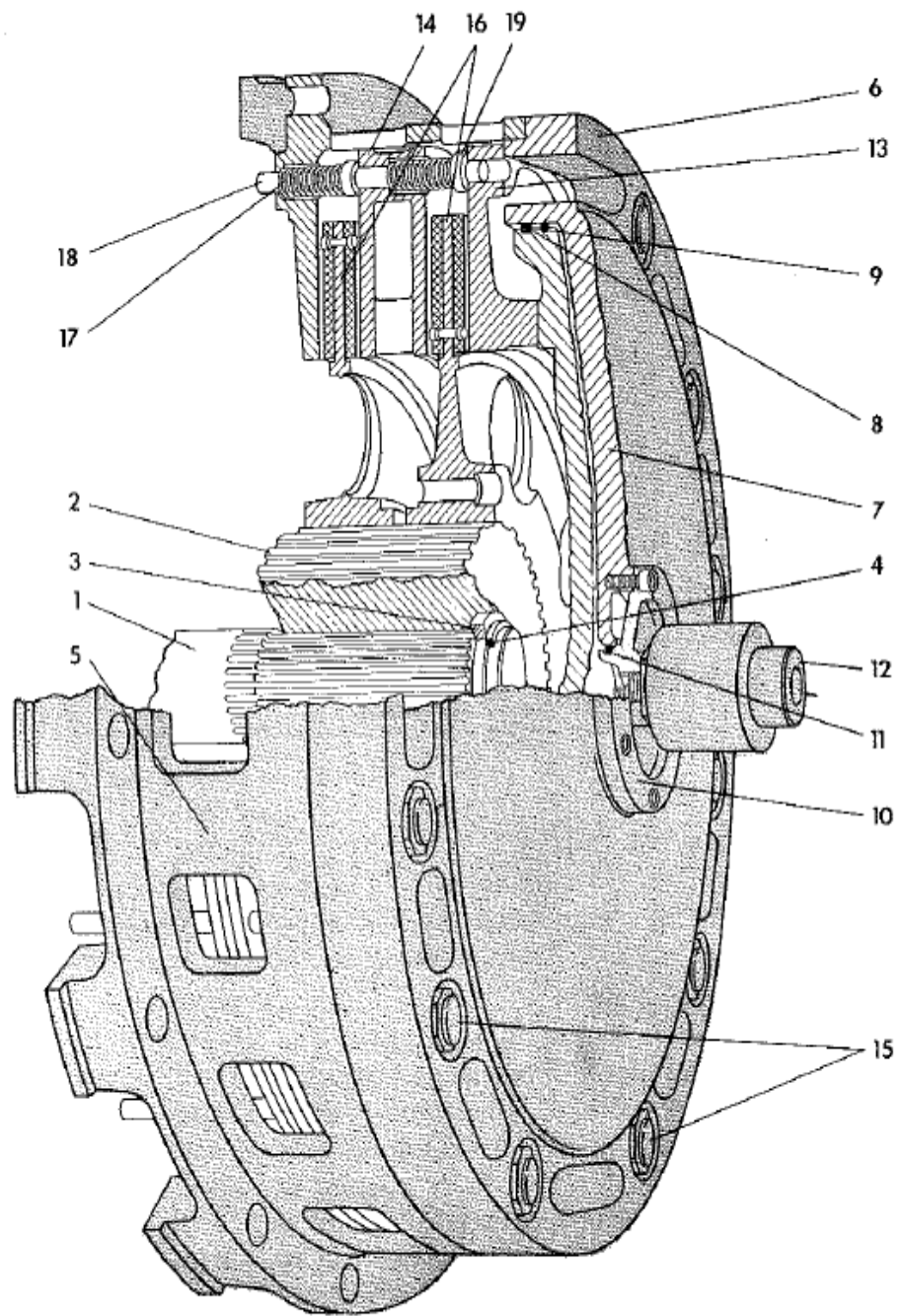
1. Socket Head Screw
2. Right Hand Bearing Cap
3. Flywheel Bearings
4. Flywheel
5. Main Gear Bearings
6. Left Hand Bearing Cap
7. Locknut
8. Set Screw
9. Main Gear and Output Hub
10. Intermediate Shaft Bearings
11. Retaining Ring
12. Intermediate Gear
13. Intermediate Pinion and Shaft
14. Keys
15. Right Hand Drive Shaft Bearing
16. Driveshaft
17. Left Hand Drive Shaft Bearing
18. Countersunk Screws
19. Sockethead Screws
20. Oil Fill Plug
21. Gear Box Housing
22. Gear Box Cover
23. Oil Level Window
24. Main Bearing Cap
25. Oil Drain Plug
26. Removable Set Screw to pull #24.
27. Bearing Cover
28. Socket Head Screw



## DRIVE MECHANISM AIR FRICTION CLUTCH

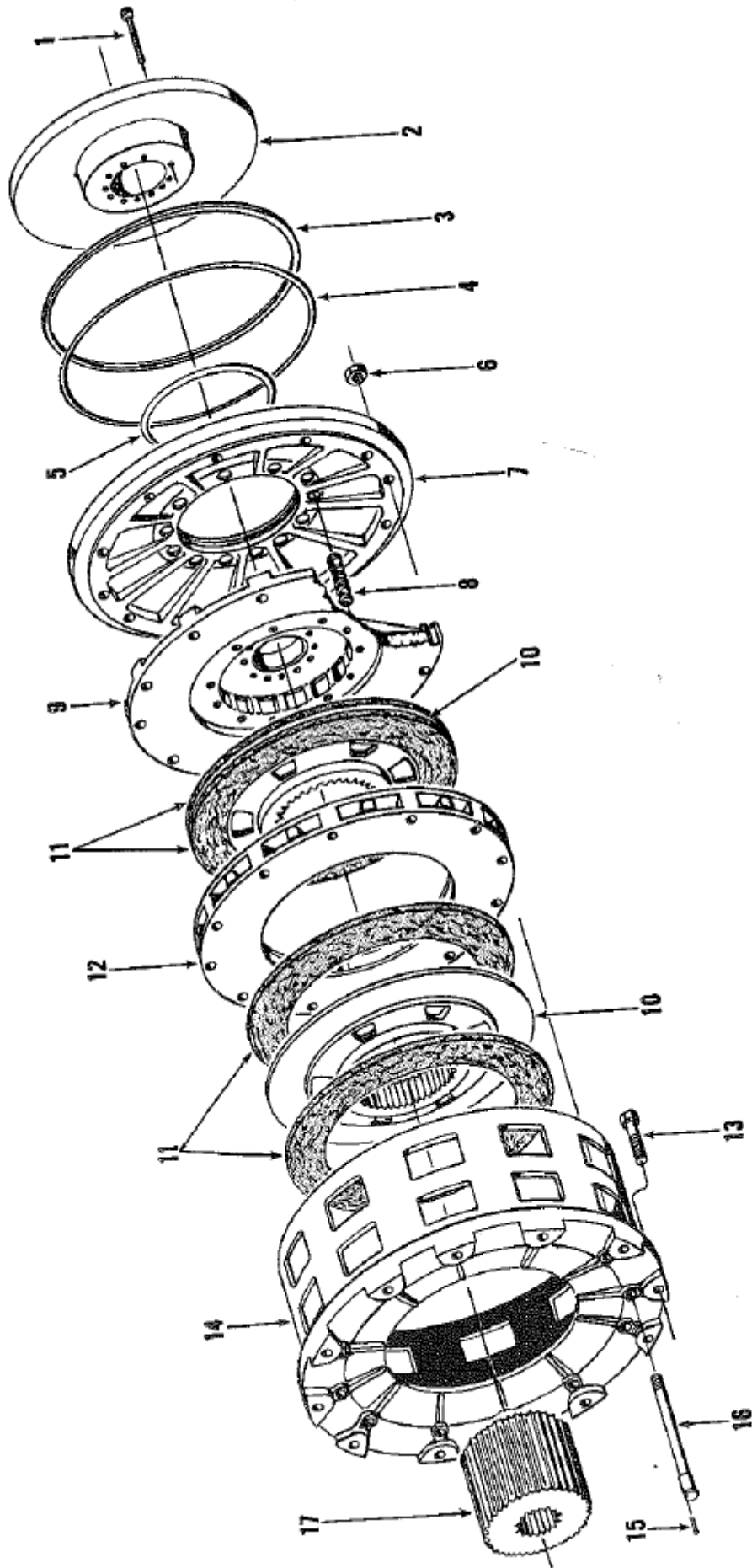
- 20. Belt Guard
- 21. Motor Plate
- 28. Main Motor
- 30. Support Plate Cap
- 31. Left Hand Support Plate
- 32. Pivot Pin
- 33. Right Hand Support Plate
- 34. Retaining Ring
- 35. Belts
- 36. Adjusting Block
- 37. Locknut
- 38. Adjusting Screw
- 39. Sheave
- 41. Socket Head Screws
- 43. Brake Support Shaft Nut





## **AIR FRICTION CLUTCH - TYPE LI-P**

1. Drive Shaft
2. Driving Hub
3. Driving Hub Retaining Ring
4. Clutch Snap Ring
5. Clutch Housing
6. Clutch Cylinder
7. Clutch Piston
8. Piston Wiper
9. Piston 'O' Ring
10. Rotary Air Seal Adapter
11. Adapter 'O' Ring
12. Rotary Air Seal
13. Pressure Plate
14. Inner Pressure Plate
15. Pressure Plate Guides and Nut
16. Friction Disc
17. Spreader Spring
18. Spring Guide
19. Guide Collar



## AIR RELEASING DISC BRAKE

1. Piston Screw
2. Piston
3. Piston Dust Seal
4. Piston Ring (outer)
5. Piston Ring (inner)
6. Cylinder Stud Nut
7. Cylinder
8. Spring
9. Pressure Plate
10. Brake Disc
11. Brake Lining
12. Center Plate
13. Brake Ring Mounting Screw
14. Brake Ring
15. Brake Stud Pin
16. Brake Stud
17. Brake Hub
18. Lining Rivet (not shown)