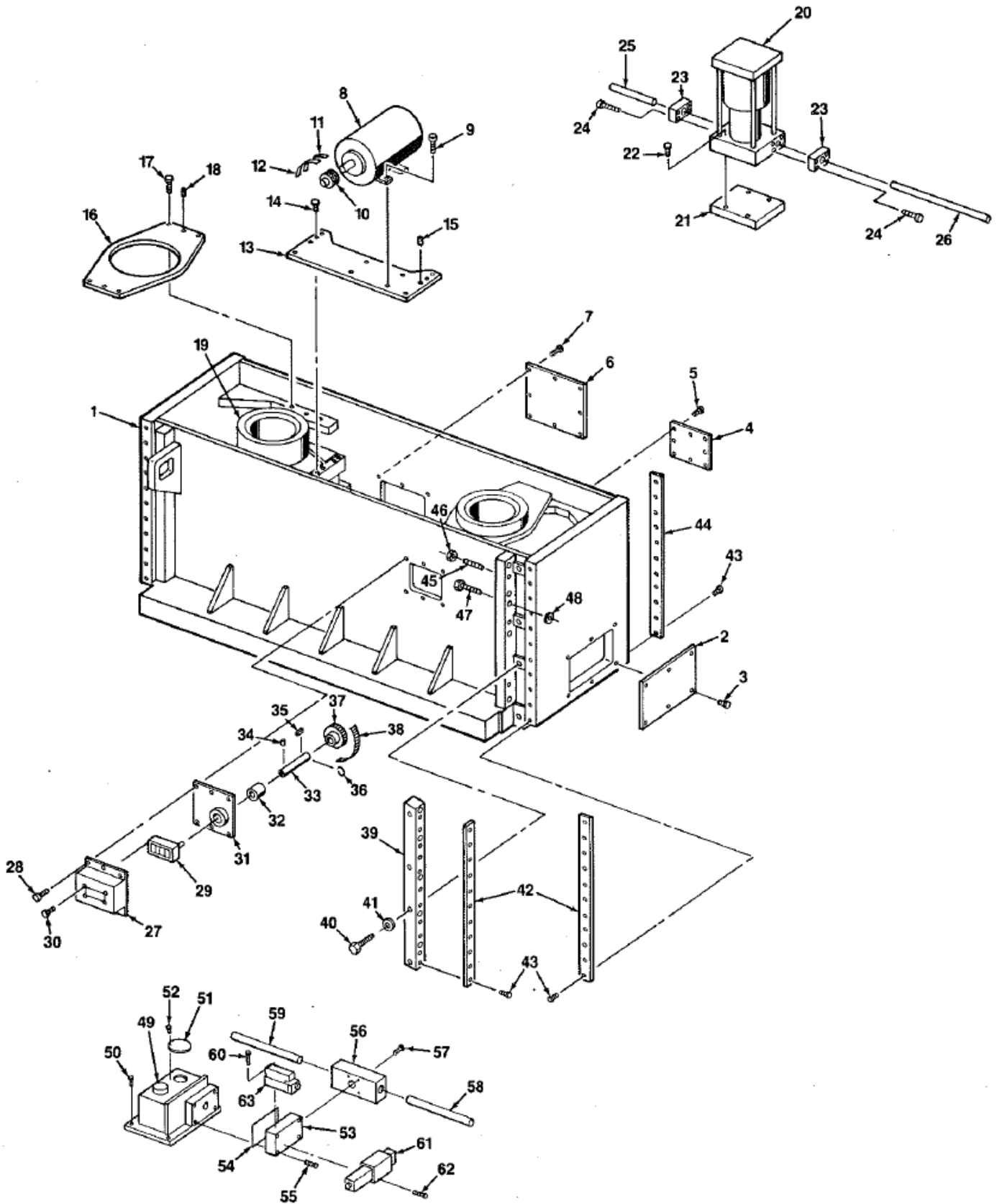


FRAME ASSEMBLY

1. Frame
2. Drive Assembly (See Separate Part List)
3. Slide (Not Shown-See Separate Part List)
4. Counter Balance (See Separate Part List)
5. Counter Balance Mounting Screw
6. Wrist Pin
7. Retaining Ring
8. Counter Balance Mounting Plate
9. Lower Counter Balance Bracket
10. Bracket Screw
11. Motor
12. Motor Mounting Screw
13. Key
14. Motor Sheave
15. 'V' Belts
16. Adjustable Motor Base
17. Base Mounting Screw
18. Motor Base Mounting Plate
19. Plate Mounting Screw
20. Top Cover (L.H.)
21. Top Cover (R.H.)
22. Top Cover Screw
23. Belt Guard Back Plate
24. Back Plate Screw
25. Belt Guard
26. Guard Mounting Screw
27. Rear Crown Cover
28. Clutch Guard
29. Electrical Enclosure
30. Enclosure Screw
31. Flywheel Brake (See Separate Part List)
32. Flywheel Brake Bracket
33. Bracket Screw
34. Clutch Valve and Tank Assembly*
35. Tank Mounting Bracket*
36. Bracket Screw*
37. Rear Gib
38. Gib Mounting Screw
39. Washer
40. Rear Gib Support Block
41. Support Block Screw
42. Set Screw
43. Screw
44. Shim
45. L.H. Rear Gib Drip Pan and Oil Level Gage
46. Drip Pan Screw
47. Front Gib
48. Gib Mounting Screw
49. Upper Counter Balance Guard
50. Screw
51. Lower Counter Balance Guard
52. Screw
53. Limit Switch Bracket
54. Bracket Screw
55. Limit Switch
56. Switch Mounting Screw
57. Coupling
58. Angle Gear Unit
59. Angle Gear Mounting Screw
60. Key
61. Sprocket
62. Key
63. Chain
64. Coupling-Optional
65. Key-Optional
66. Resolver Bracket-Optional
67. Resolver-Optional
68. Front Crown Cover
69. Cover Screw
70. Access Door (Limit Switch)
71. Door Mounting Screw
72. Gib Drip Pan
73. Drip Pan Screw
74. Bolster
75. Screw
76. Hex Nut
77. Door and Frame
78. Frame Mounting Screw
79. Access Cover Plate
80. Cover Screw

*Arrangement Shown for 200 Presses

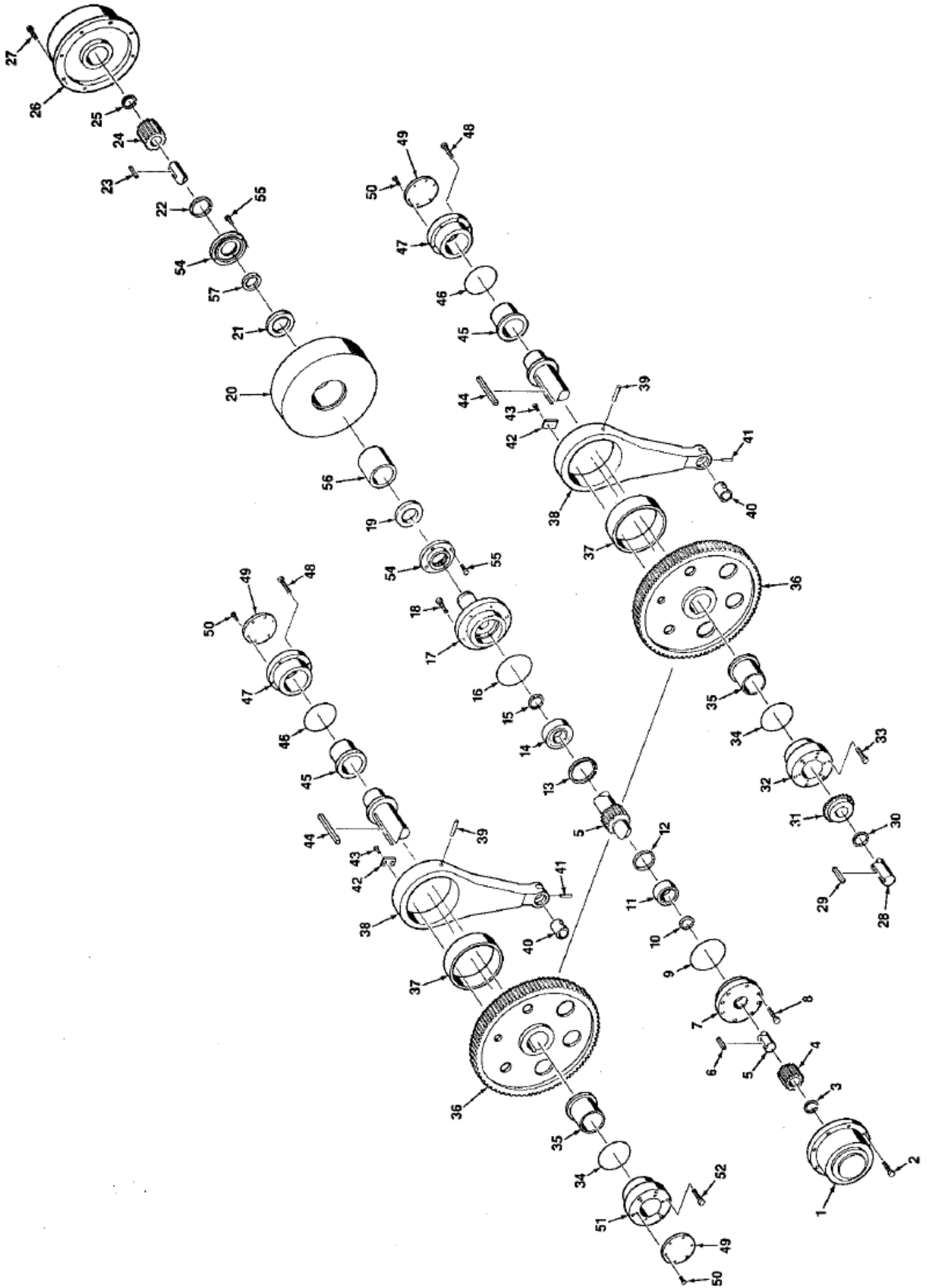


SLIDE ASSEMBLY

- | | |
|--|--|
| 1. Slide | 33. Counter Shaft |
| 2. Slide Side Cover | 34. Set Screw |
| 3. Cover Screw | 35. Key |
| 4. Flange Cover | 36. Retaining Ring |
| 5. Flange Cover Screw | 37. Sprocket |
| 6. Rear Valve Cover | 38. Chain |
| 7. Valve Cover Screw | 39. Gib Block (Specify L.H., R.H. Front or Rear) |
| 8. Slide Adjust Motor | 40. Gib Block Mounting Screw |
| 9. Motor Mounting Screw | 41. Washer |
| 10. Motor Sprocket | 42. Front or Side Slide Liner |
| 11. Chain | 43. Liner Mounting Screw |
| 12. Chain | 44. Rear Slide Liner |
| 13. Slide Adjust Motor Plate | 45. Adjusting Set Screw |
| 14. Motor Plate Mounting Screw | 46. Hex Jam Nut |
| 15. Dowel | 47. Screw |
| 16. Barrel Yoke | 48. Shim |
| 17. Yoke Mounting Screw | 49. Reservoir† |
| 18. Dowel | 50. Screw† |
| 19. Barrel Assembly (See Separate Part List) | 51. Reservoir Cover† |
| 20. Hydraguard Valve* | 52. Screw† |
| 21. Spacer Plate* | 53. Manifold† |
| 22. Screw* | 54. Gasket† |
| 23. Hydraulic Adaptor* | 55. Screw† |
| 24. Adapter Screw* | 56. Tee Flange† |
| 25. Connecting Tube* | 57. Screw† |
| 26. Connecting Tube* | 58. Connecting Tube† |
| 27. Counter Mounting Bracket | 59. Connecting Tube† |
| 28. Bracket Mounting Screw | 60. Screw† |
| 29. Counter | 61. Hydra Guard Valve† |
| 30. Counter Mounting Screw | 62. Screw† |
| 31. Counter Shaft Bracket | 63. Dump Valve† |
| 32. Bushing | |

* Items 20 Thru 26-300 Press Arrangement

† Items 49 Thru 63-150 & 200 Presses



DRIVE ASSEMBLY

- | | |
|---|--|
| <ol style="list-style-type: none"> 1. Brake 2. Brake Mounting Screw 3. Retaining Ring 4. Brake Hub 5. Driveshaft 6. Key 7. Front Bearing Housing 8. Housing Mounting Screw 9. 'O' Ring 10. Retaining Ring 11. Bearing 12. Retaining Ring 13. Retaining Ring 14. Bearing 15. Retaining Ring 16. 'O' Ring 17. Quill 18. Quill Mounting Screw 19. Bearing 20. Flywheel 21. Bearing 22. Retaining Ring 23. Key 24. Clutch Hub 25. Retaining Ring 26. Clutch 27. Clutch Mounting Bolt 28. R.H. Main Pin 29. Key | <ol style="list-style-type: none"> 30. Retaining Ring 31. Limit Switch Sprocket 32. R.H. Front Main Pin Cartridge 33. Cartridge Mounting Screw 34. 'O' Ring 35. Main Pin Bushing 36. Main Gear 37. Connection Bushing 38. Eccentric Connection 39. Dowel 40. Wrist Pin Bushing 41. Dowel 42. Connection Retainer 43. Retainer Screw 44. Key 45. Main Pin Bushing 46. 'O' Ring 47. Rear Main Pin Cartridge 48. Cartridge Mounting Screw 49. Pin Cartridge Cover 50. Cover Screw 51. L.H. Front Main Pin Cartridge 52. Cartridge Mounting Screw 53. L.H. Main Pin 54. Flywheel Bearing Retainer* 55. Retainer Screw* 56. Flywheel Bearing Spacer* 57. Bearing Spacer |
|---|--|

* 300 Press Only