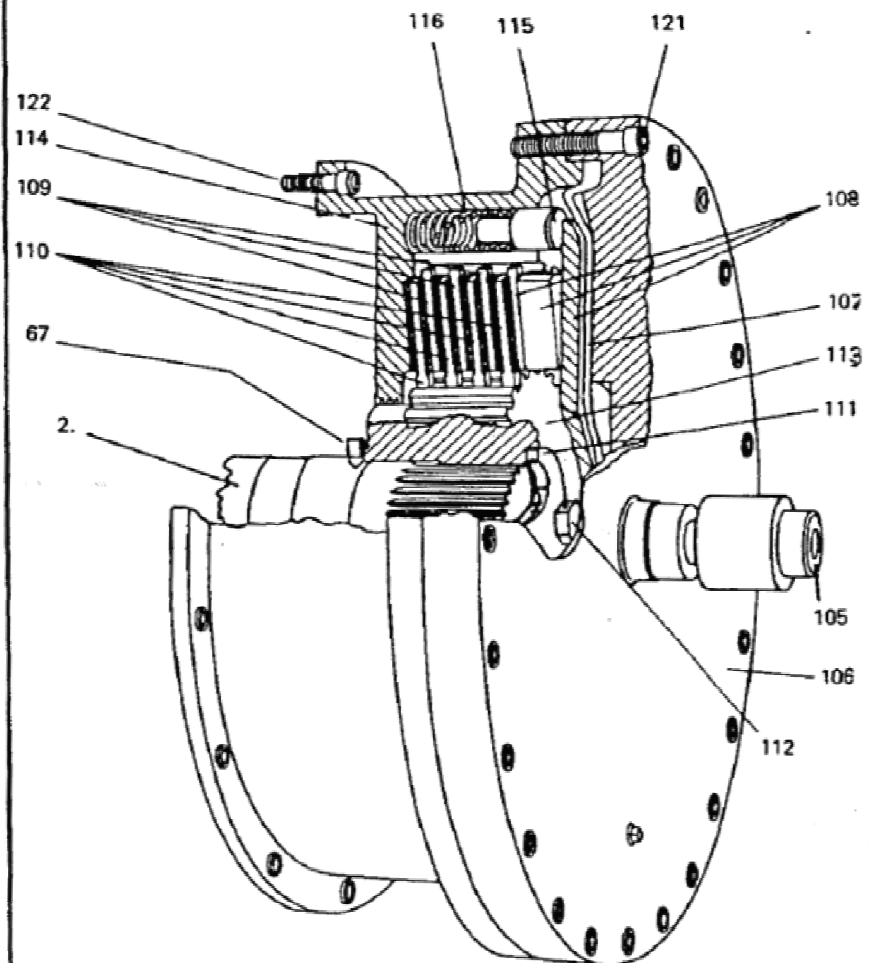


NIAGARA STRAIGHT SIDE PRESSES

FORM A-6-A

AIR FRICTION CLUTCH – TYPE LI-E



- 2. Crank Shaft
- 67. Spacer (Not All Machines)
- 105. Rotary Air Seal
- 106. Clutch Cylinder
- 107. Clutch *DISK*
- 108. Push Plate Assembly
- 110. Inner Clutch Plates
With Bonded Linings
- 111. Driving Hub Retainer
- 112. Hex Head Capscrew
- 113. Driving Hub
- 114. Clutch Housing
- 115. Spring Plungers
- 116. Springs
- 121. Cylinder Screws
- 122. Clutch Housing Screws