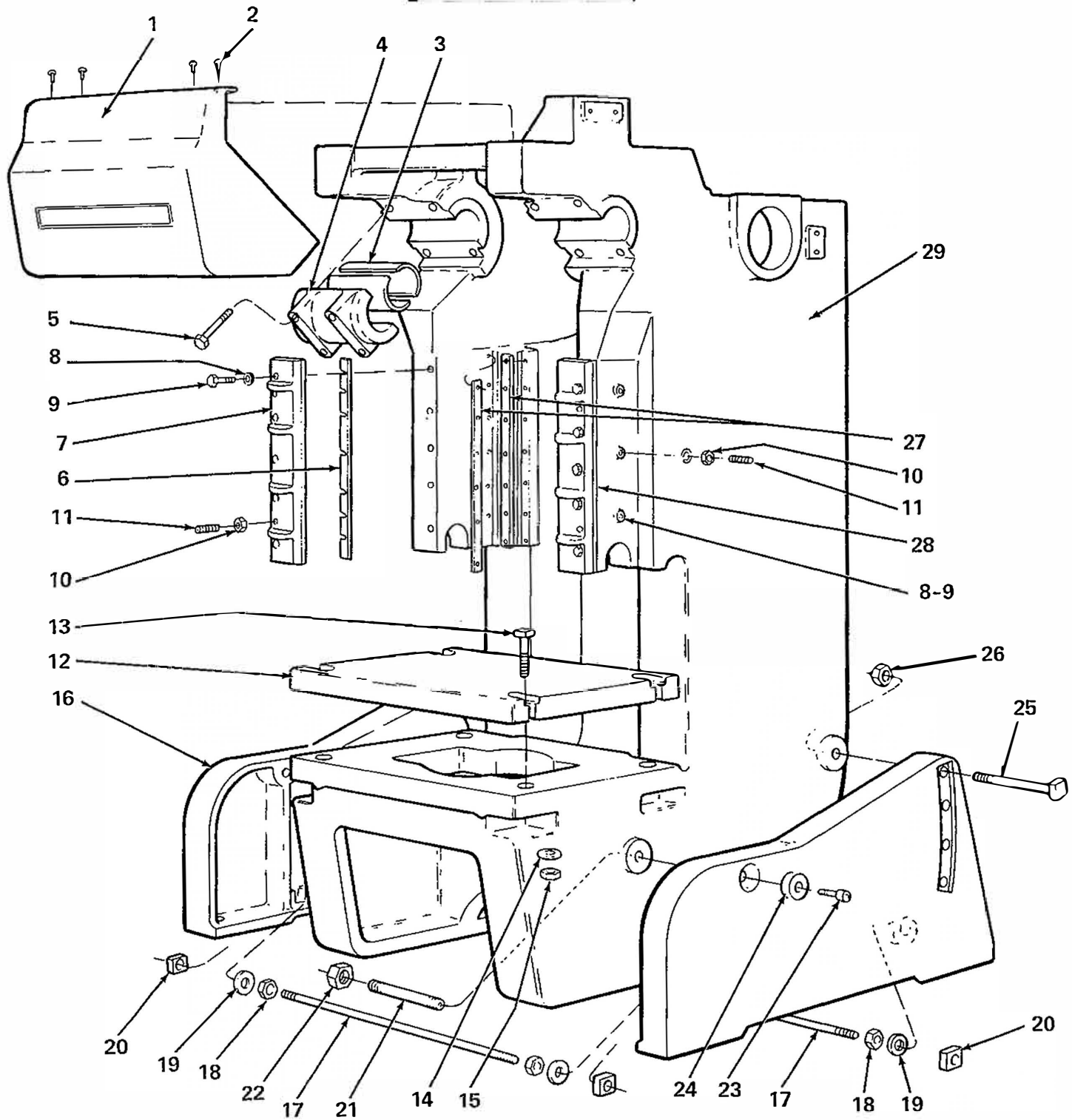


E.W. BLISS

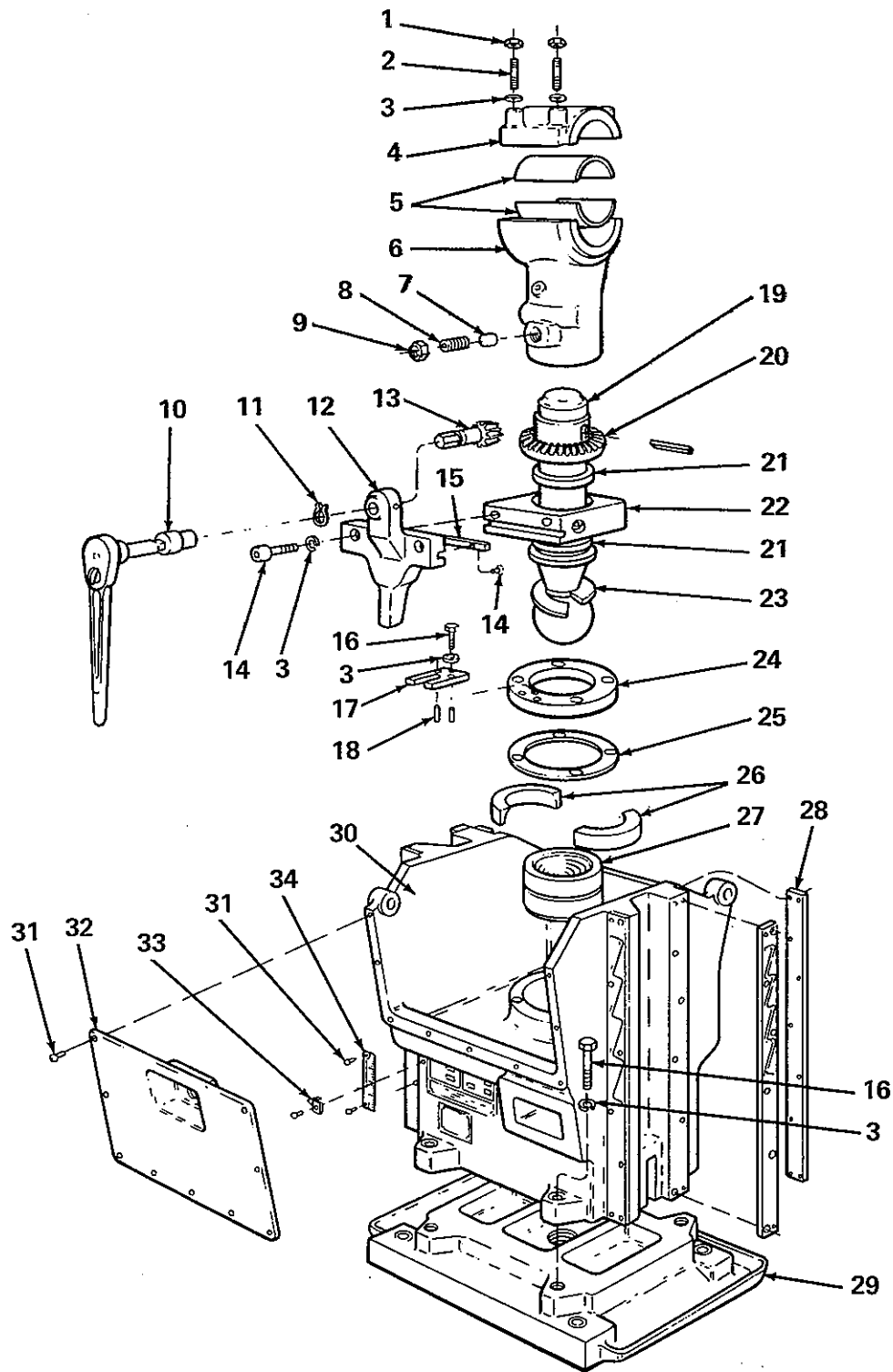


- 1. Front Cover
- 2. Socket Head Cap Screw
- 3. Half Bushing (Main)
- 4. Main Bearing Cap
- 5. Hex Head Cap Screw
- 6. Shim, Laminated
- 7. Gib
- 8. Lockwasher
- 9. Hex Head Cap Screw
- 10. Hex Nut (Jam)

- 11. Socket Head Set Screw
- 12. Bolster
- 13. Bolster Bolt (J.I.C.)
- 14. Washer
- 15. Hex Nut
- 16. Leg
- 17. Tie Rod
- 18. Hex Nut
- 19. Washer (Plain)
- 20. Square Nut

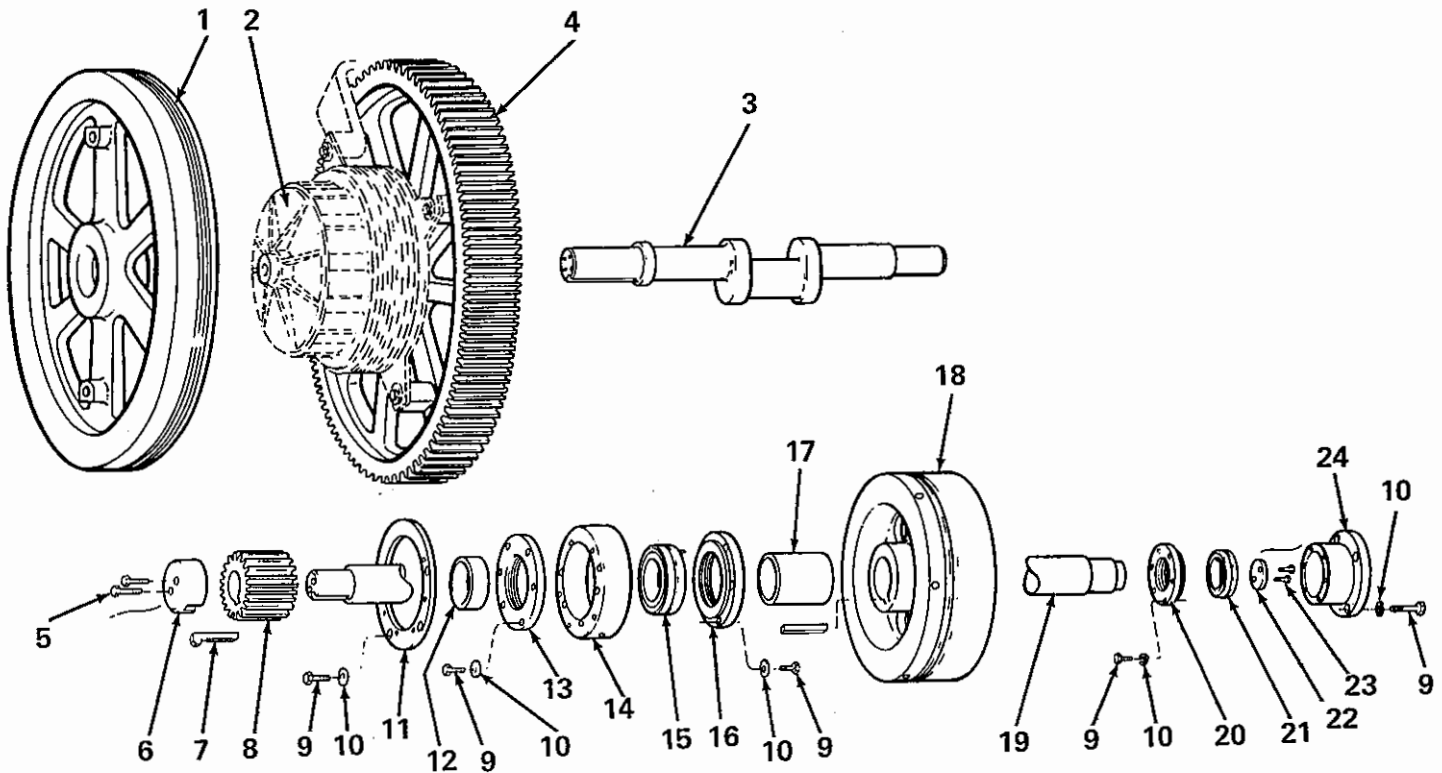
- 21. Stud
- 22. Nut
- 23. Socket Head Cap Screw
- 24. Washer
- 25. Rear Leg Bolt
- 26. Hex Nut
- 27. War Strip
- 28. Shim, Laminated
- 29. Frame

C-75 and C-110 SERVICE MANUAL



- | | | |
|--------------------------|---------------------------|------------------------|
| 1. Hex Nut | 13. Bevel Pinion | 25. Plastic Shims |
| 2. Stud | 14. Socket Head Cap Screw | 26. Bushing, Ball Cap |
| 3. Lock Washer | 15. Key | 27. Bushing, Ball Seat |
| 4. Cap Connection | 16. Hex Head Cap Screw | 28. Liner |
| 5. Bushing, Half | 17. Fork | 29. Slide Flange |
| 6. Sleeve, Connection | 18. Dowel Pin | 30. Slide |
| 7. Plug, Clamping | 19. Screw, Connection | 31. Button Head Screw |
| 8. Socket Head Set Screw | 20. Bevel Gear | 32. Front Cover |
| 9. Hex Half Nut | 21. Thrust Bearing | 33. Scale |
| 10. Wrench Assembly | 22. Adjustment Bracket | 34. Pointer |
| 11. Retaining Ring | 23. Dust Seal | |
| 12. Pinion Bracket | 24. Ball Cap | |

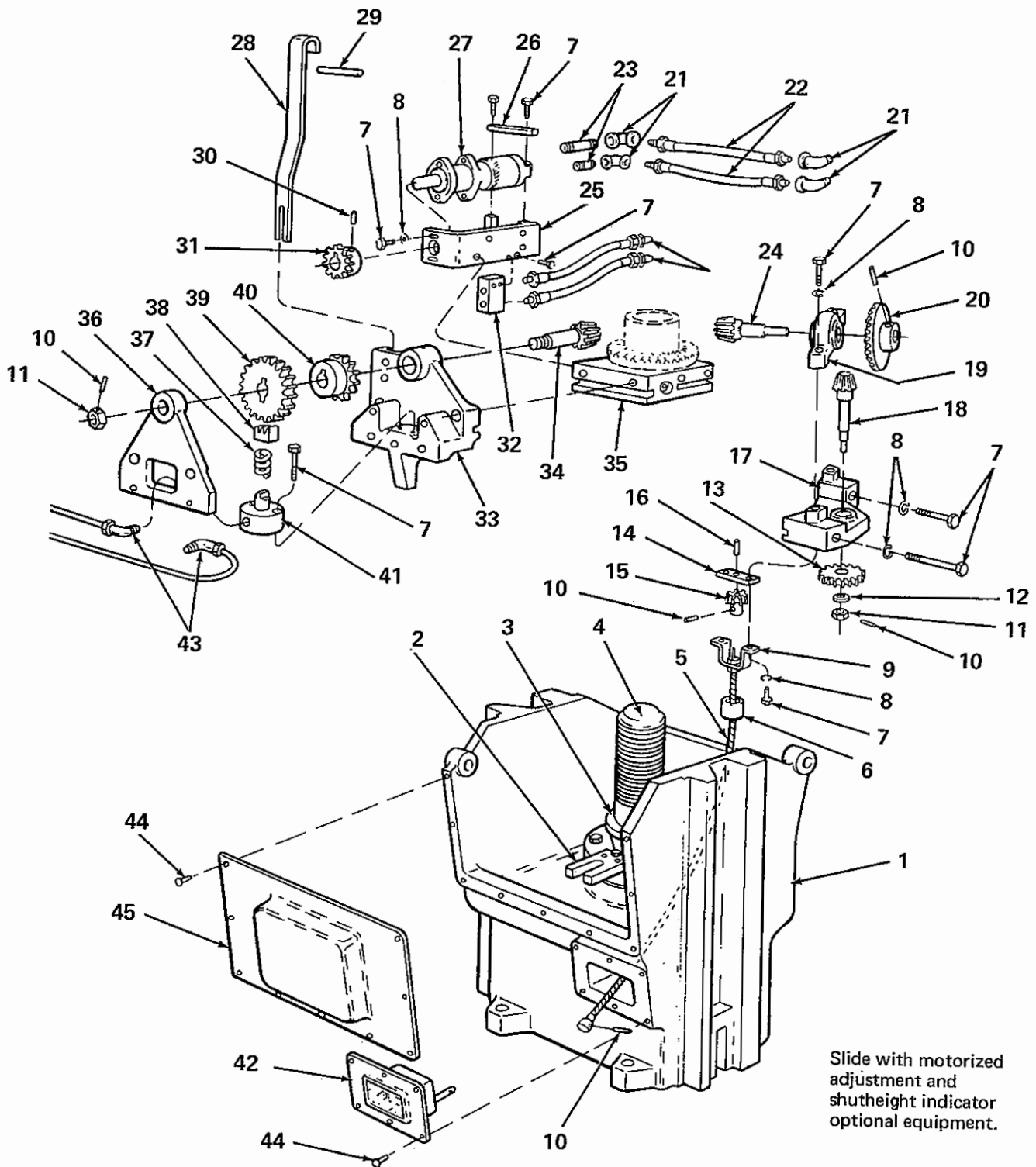
E.W. BLISS



- | | |
|--------------------------------|-----------------------------|
| 1. Flywheel (Non-Geared Press) | 13. Bearing Retainer |
| 2. Clutch | 14. Bearing Housing |
| 3. Crank Shaft | 15. Bearing |
| 4. Main Gear | 16. Bearing Retainer |
| 5. Drilled Head Hex Cap Screw | 17. Spacer |
| 6. End Cap | 18. Flywheel (Geared Press) |
| 7. Key | 19. Drive Shaft |
| 8. Pinion Gear | 20. Bearing Retainer |
| 9. Hex Head Cap Screw | 21. Bearing |
| 10. Lockwasher | 22. End Cap |
| 11. Bearing Housing Flange | 23. Drilled Head Cap Screws |
| 12. Spacer | 24. Bearing Housing |

Numbers 1, 2 and 3 standard on non-geared presses.
 Numbers 4 thru 24 must be added for geared presses.

C-75 and C-110 SERVICE MANUAL



- | | | | |
|-----------------------|----------------------------|-----------------------|------------------------------|
| 1. Slide | 13. Change Gear | 25. Air Motor Bracket | 37. Spring |
| 2. Adjustment Fork | 14. Bracket | 26. Strap | 38. Lock Dog |
| 3. Bevel Gear | 15. Spur Gear | 27. Air Motor | 39. Change Gear |
| 4. Connection Screw | 16. Dowel Pin | 28. Stop Arm | 40. Sprocket |
| 5. Flexible Shaft | 17. Drive Bracket | 29. Dowel | 41. Cylinder |
| 6. Nipple | 18. Bevel Pinion and Shaft | 30. Set Screw | 42. Counter |
| 7. Hex Head Cap Screw | 19. Pinion Bearing Block | 31. Sprocket | 43. Elbow |
| 8. Lock Washer | 20. Bevel Gear | 32. Anchor Block | 44. Socket Button Head Screw |
| 9. Bracket | 21. Elbow | 33. Pinion Bracket | 45. Cover |
| 10. Roll Pin | 22. Hose Assembly | 34. Pinion | |
| 11. Hex Nut | 23. Nipples | 35. Adjustment Block | |
| 12. Washer, Plain | 24. Pinion | 36. Bearing Bracket | |