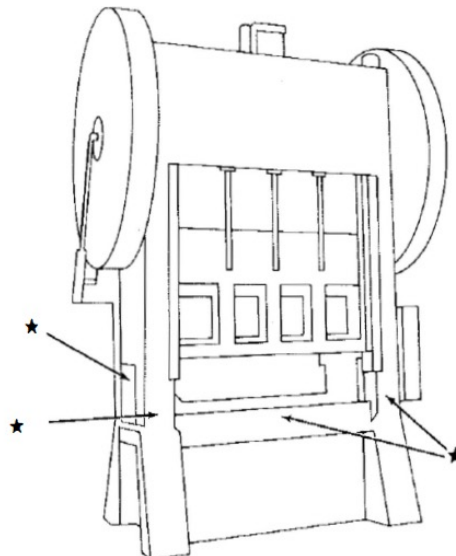
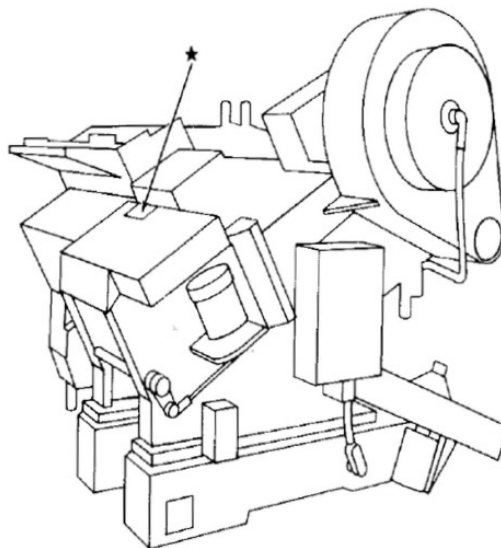
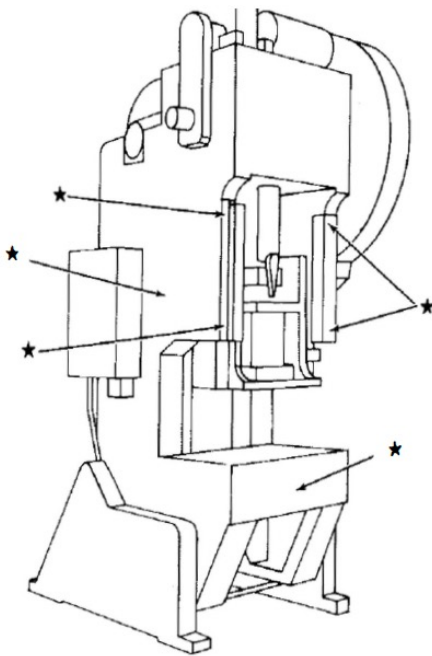


Find Your Serial Number

For Bliss, Clearing and Niagara Presses

► Bliss Presses

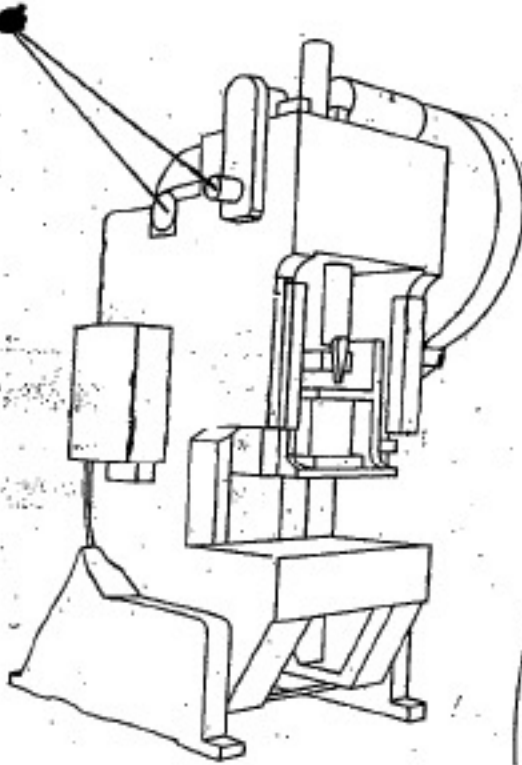
PRESS SERIAL NUMBER MAY BE FOUND IN ONE OF THE AREAS AS INDICATED.*



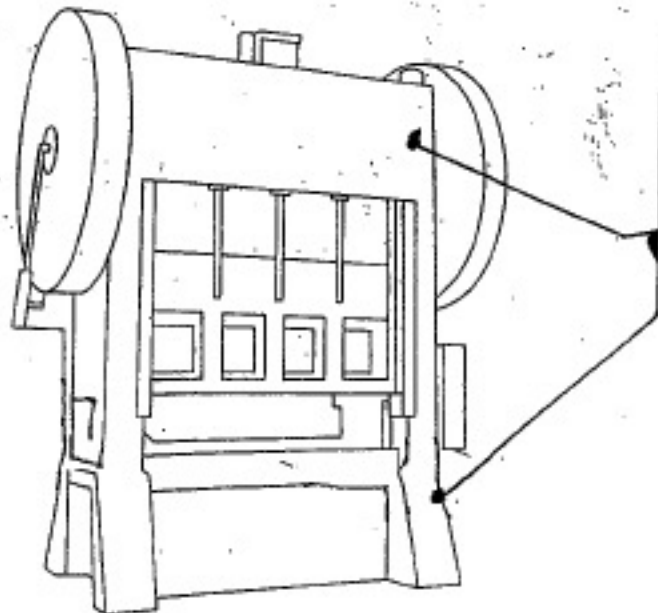
► Clearing Presses

PRESS SERIAL NUMBER MAY BE FOUND IN ONE OF THE AREAS AS INDICATED.*

Ends of Shafts



Ends of Bed + Crown



▶ Niagara Machines

Locations of Serial Numbers on Machines:

▶ Presses

All on left-hand side above gibs

▶ Press Brakes

All on left-hand side of crown

▶ Squaring Shears

All on front left-hand corner, top of bed

▶ Circle Shears - Hand

End of bed under circle arm

▶ Circle Shears - Power

On frame above upper cutter

▶ Rotary Machines

All on left-hand side of frame

▶ Grooving Machines

All on top left end of rail

▶ Slip Rolls

All on top of gear box – 5" up on inside frame