

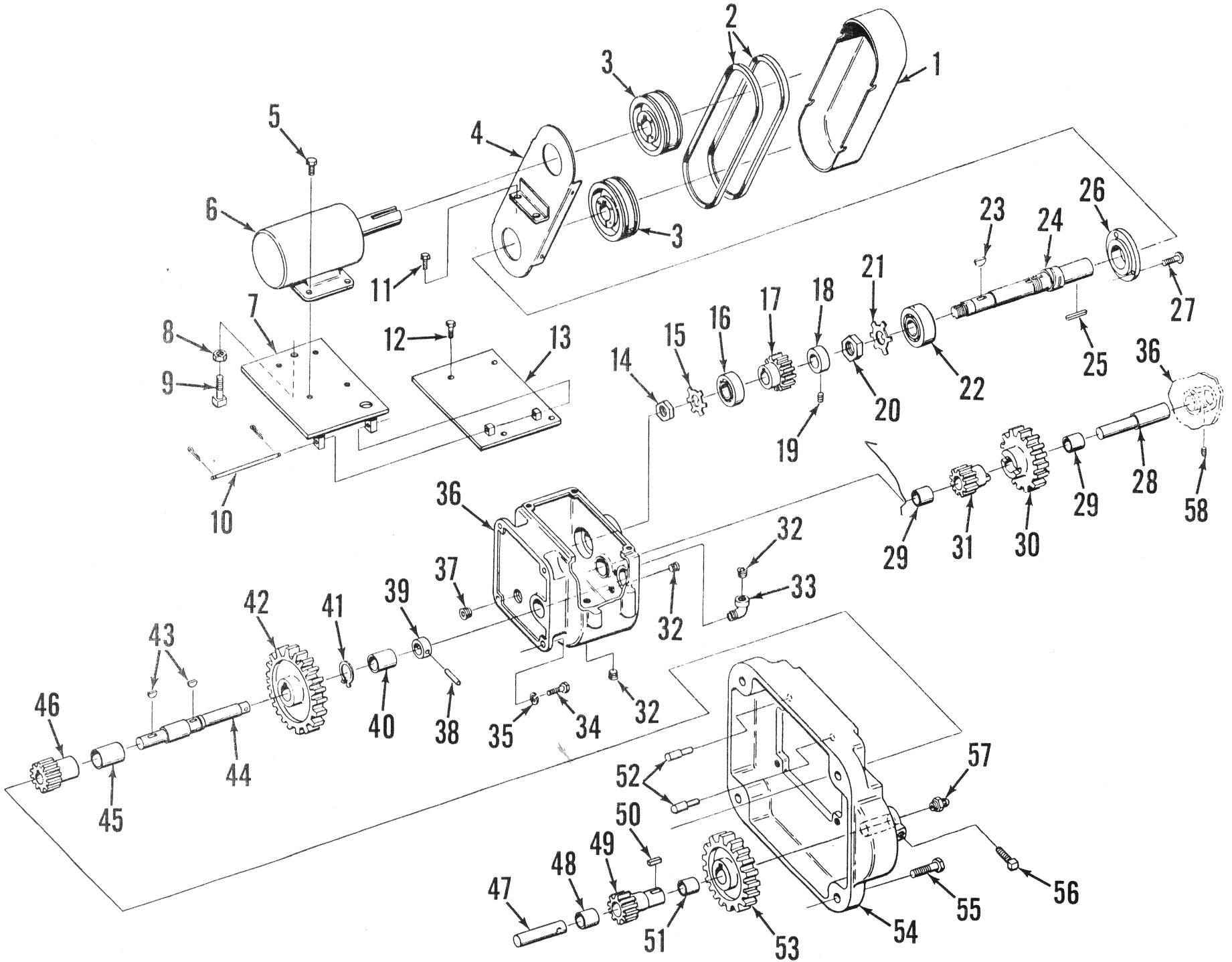
**OPTIONAL
EQUIPMENT**

- 78. Pin
- 79. Gage Finger
- 80. Mounting Screw
- 81. Bracket

SINCE THE REFERENCE OR CALL OUT NUMBERS ON THE FOLLOWING PARTS LIST ARE DUPLICATED ON OTHER PARTS LISTS, SPECIFY PART REQUIRED BY GIVING REFERENCE NUMBER AND FULL NAME FOLLOWED BY FORM AND PAGE NUMBER.

- P/6665
4"
1. Cover Mounting Screw
 2. Cover
 3. Retainer Bolt
 4. Washer
 5. Main Gear
 - * 6. Rear Idler Pin (3 in. models only)
 - * 7. Rear Idler Gear (3 in. models only)
 - * 8. Drive Pinion Gear
 - * 9. Drive Shaft
 - * 10. Key —
 - * 11. Set Screw
 - * 12. Drive Shaft Collar
 - * 13. Crank
 - * 14. Washer
 - * 15. Crank Handle Pin
 - * 16. Crank Handle
 2. case → 17. Pin
 18. Cam Pin
 19. Cam Handle
 20. Cam
 21. Pin
 22. Upper Roll Washer
 23. Limit Switch Bracket
 24. Upper Roll Bushing
 25. Set Screw
 26. Link Pin Collar
 27. Link
 28. Link
 29. Lower Roll Connection Gear
 30. Rear Roll Connection Gear
 31. Idler Gear (4 in. models have Bushing)
 32. Link
 33. Link
 34. Link Pin
 35. Pin
 36. Upper Roll Collar
 37. Upper Roll Connection Gear
 38. Set Screw
 39. Pins (4 in. models only)
 40. Idler Pins
 41. Idler Gears (4 in. models have Bushings)
 42. Set Screw (3 in. models only)
 43. Set Screw (3 in. models only)
 44. Oil Spouts (4 in. models only)
 45. Gear Bracket
 46. Upper Roll Key*
 47. Upper Roll
 48. Rear Roll Key
 49. Rear Roll
 50. Lower Roll Keys
 51. Lower Roll
 52. L.H. Lower Front Bearing
 53. L.H. Rear Bearing
 54. R.H. Lower Front Bearing
 55. R.H. Rear Bearing
 56. Square Washer (Opening must be down)
 57. Adjusting Screw Pin (One supplied with 3 in. models)
 58. Knobs
 59. Adjusting Screw Pin (4 in. models only)
 60. L.H. Front Adjusting Screw
 61. R.H. Front Adjusting Screw
 62. Rear Adjusting Screws
 63. Nipple (4 in. models only)
 64. Reducer (4 in. models only)
 65. Lock Nut
 66. Upper Cone Screw
 67. Lock Nut
 68. Lower Cone Screw
 69. Housing Mounting Screw
 70. Dowel Pin
 71. L.H. Housing
 72. Base (Bench type shown)
 73. R.H. Housing
 - * 74. Grease Fitting (3 in. models only)
 75. Grease Connection (3 in. Power Driven models only)
 76. Roll Position Scale
 77. Pin (3 in. models only)
 82. Sheave Bracket
 83. Sheave Bracket
 84. Sheave
 85. Shoulder Bolt
 86. Nut
 87. Bolt
 88. Pin
 89. Stop Cable
 90. Limit Switch
 91. Screw
 92. Screw
 93. Cover
 94. Screw
 95. Limit Switch Actuator
 96. Set Screw
 97. Shaft
 98. Pin
 99. Washer
 100. Spring

* NOTE: Hand Operated Models Only

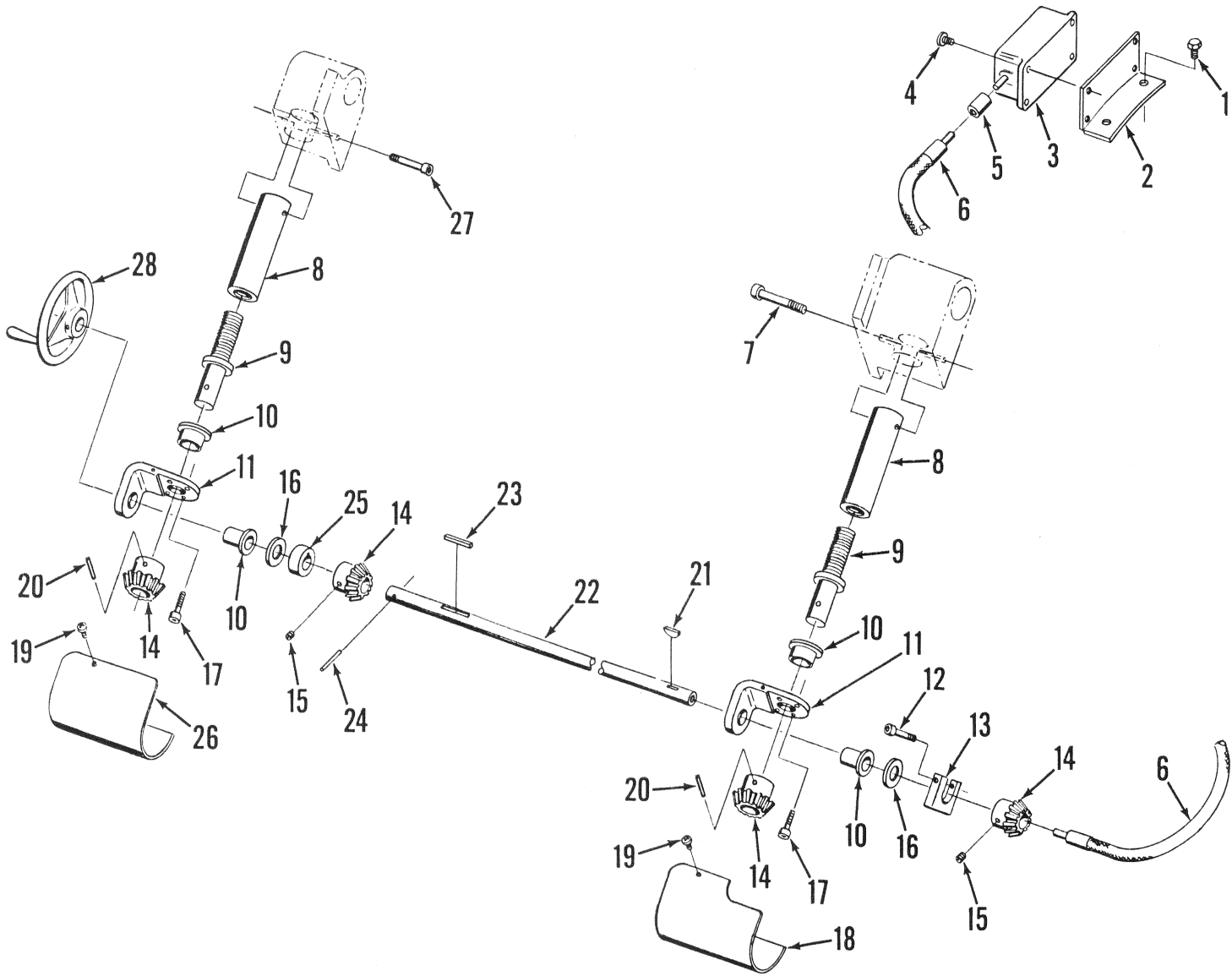


1. Belt Guard
2. V Belts A-38 (2 REQ)
3. Sheaves
4. Belt Guard Mounting Bracket
5. Bolt
6. Drive Motor
7. Motor Mounting Plate
8. Jam Nut
9. Set Screw
10. Motor Mounting Hinge Pin
11. Bolt
12. Bolt
13. Gear Box Cover
14. Lock Nut
15. Lock Washer
16. Bearing
17. Pulley Shaft Pinion
18. Collar
19. Set Screw
20. Lock Nut
21. Lock Washer
22. Bearing
23. Key
24. Pulley Shaft
25. Key
26. Bearing Cover
27. Screw
28. Intermediate Gear Axle
29. Bushings

30. Intermediate Gear
31. Intermediate Pinion
32. Pipe Plug
33. Street Elbow
34. Bolt
35. Lock Washer
36. Gear Box Housing
37. Pipe Plug
38. Roll Pin
39. Collar
40. Bushing
41. Retaining Ring
42. Main Gear
43. Keys
44. Drive Shaft
45. Bushing
46. Main Pinion
- * 47. Sleeve Pinion Stud
- * 48. Bushing
- * 49. Sleeve Pinion
- * 50. Key
- * 51. Bushing
- * 52. Dowels
- * 53. Sleeve Pinion Gear
- * 54. Adapter
- * 55. Bolt
- * 56. Set Screw
- * 57. Grease Fitting
58. Set Screw

POWER DRIVEN GEAR BOX
(Optional)

* NOTE: 4 in. models only



PARALLEL REAR ROLL ADJUSTMENT

1. Bolt
2. Counter Bracket
3. Counter Screw
4. Screw
5. Coupling
6. Flexible Shaft
7. Cap Screw
8. Rear Roll Adjusting Nuts
9. Rear Roll Adjusting Screws
10. Flanged Bushings
11. Bevel Gear Brackets
12. Cap Screw
13. Removable Spacer
14. Bevel Gears
15. Set Screws
16. Washers
17. Cap Screws
18. Cover
19. Screws
20. Roll Pins
21. Key
22. Rear Roll Adjusting Shaft
23. Key
24. Roll Pin
25. Spacer
26. Cover
27. Cap Screw
28. Handwheel