

# PARTS LIST

SINCE THE REFERENCE OR CALL OUT NUMBERS ON THE FOLLOWING PARTS LIST ARE DUPLICATED ON OTHER PARTS LISTS, SPECIFY PART REQUIRED BY GIVING REFERENCE NUMBER AND FULL NAME FOLLOWED BY FORM AND PAGE NUMBER.

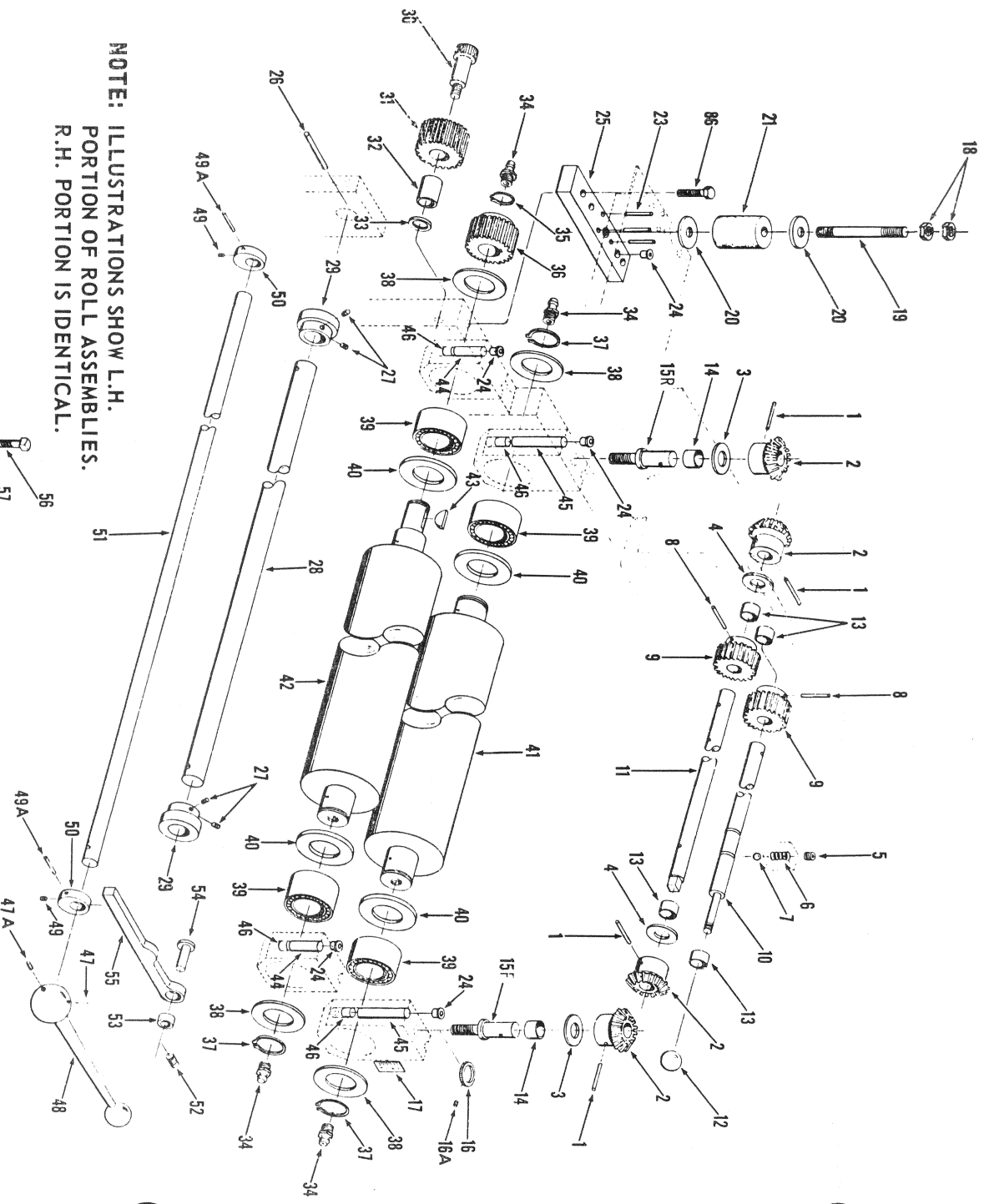
## CABINET

### ALL MODELS

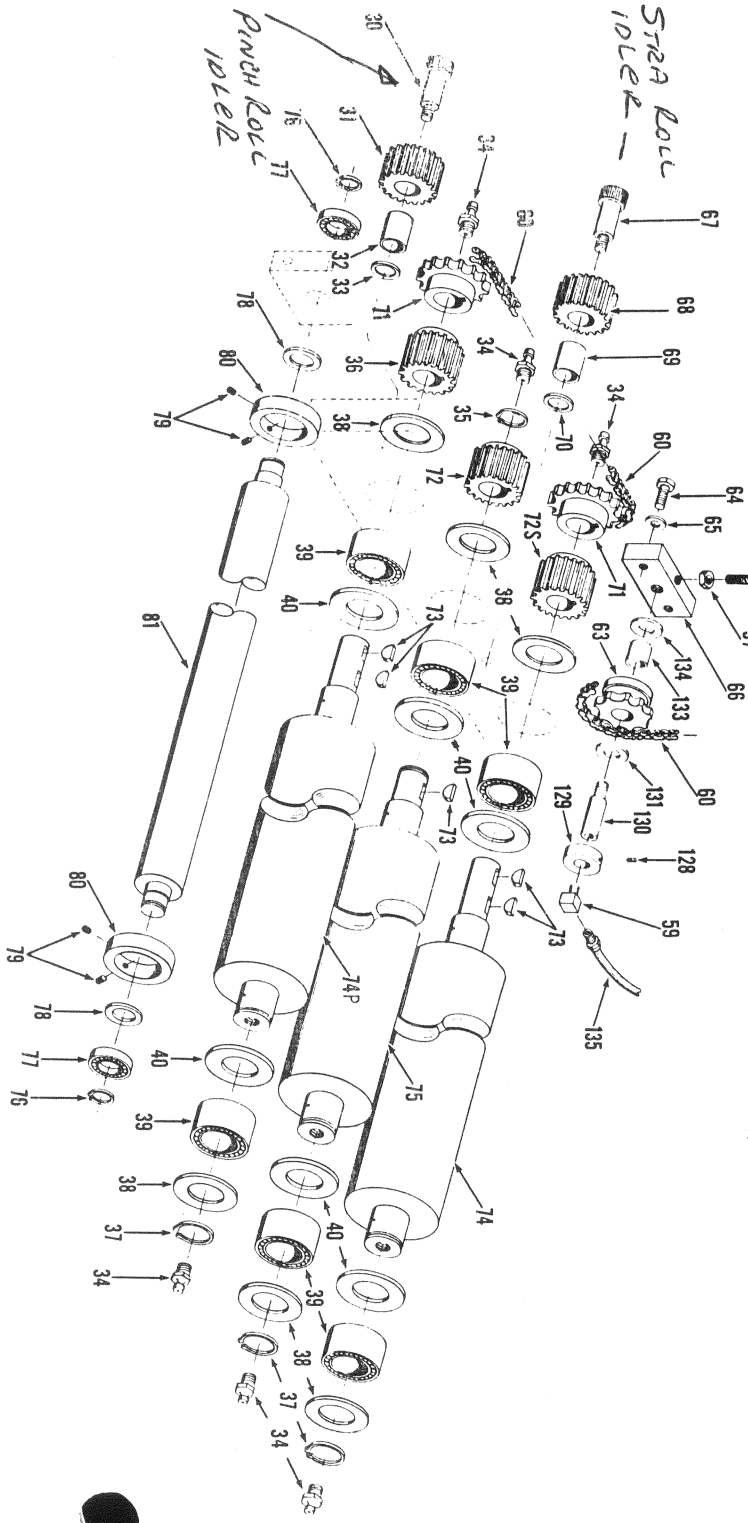
- 82. Fastening Nut
- 83. Straightener Roll Cover Plate
- 84. Mounting Stud
- 85. Jam Nut
- 86. Fastening Screw
- 87. Pinch Roll Cover Plate  
(Parts 87 & 25 one piece on straighteners)
- 88. Fastening Nut
- 89. Gear Cover
- 90. Mounting Stud
- 91. Jam Nut
- 92. Mounting Screw
- 94. Mounting Screw
- 95. Front Roll Adjusting Gear Bracket
- 96. Rear Roll Adjusting Gear Bracket } One Piece on Model 275
- 97. Mounting Screw
- 98. Guide Roll (L.H. Rear, R.H. Front) Mounting Plate
- 99. Guide Roll (R.H. Rear, L.H. Front) Mounting Plate
- 100. Mounting Screw
- 101. Pinch Roll (R.H. Rear) Mounting Plate
- 102. Pinch Roll (R.H. Front) Mounting Plate
- 103. Pinch Roll (L.H. Front) Mounting Plate
- 104. Pinch Roll (L.H. Rear) Mounting Plate
- 105. Straightener Roll (Front) Mounting Plate
- 106. Straightener Roll (Rear) Mounting Plate
- 107. Mounting Screw
- 108. Access Panel
- 115. Access Door
- 116. Mounting Screw
- 117. Hand Hole Cover
- 118. Feed Line Height Adjusting Screw
- 119. Jam Nut
- 120. Cabinet

### STRAIGHTENER FEEDERS ONLY

- 93. Tie Bar
- 109. Set Screws
- 110. Fastening Screw
- 111. Door Latch
- 112. Latch Washer
- 113. Door Knob
- 114. Access Door Channel
- 121. Pan Drain Plug
- 122. Pan Mounting Screw
- 123. Lubrication Pan
- 124. Drive Housing
- 125. Bracket Mounting Screw
- 126. Drive Connection (Front) Bracket
- 127. Drive Connection (Rear) Bracket



NOTE: ILLUSTRATIONS SHOW L.H. PORTION OF ROLL ASSEMBLIES. R.H. PORTION IS IDENTICAL.

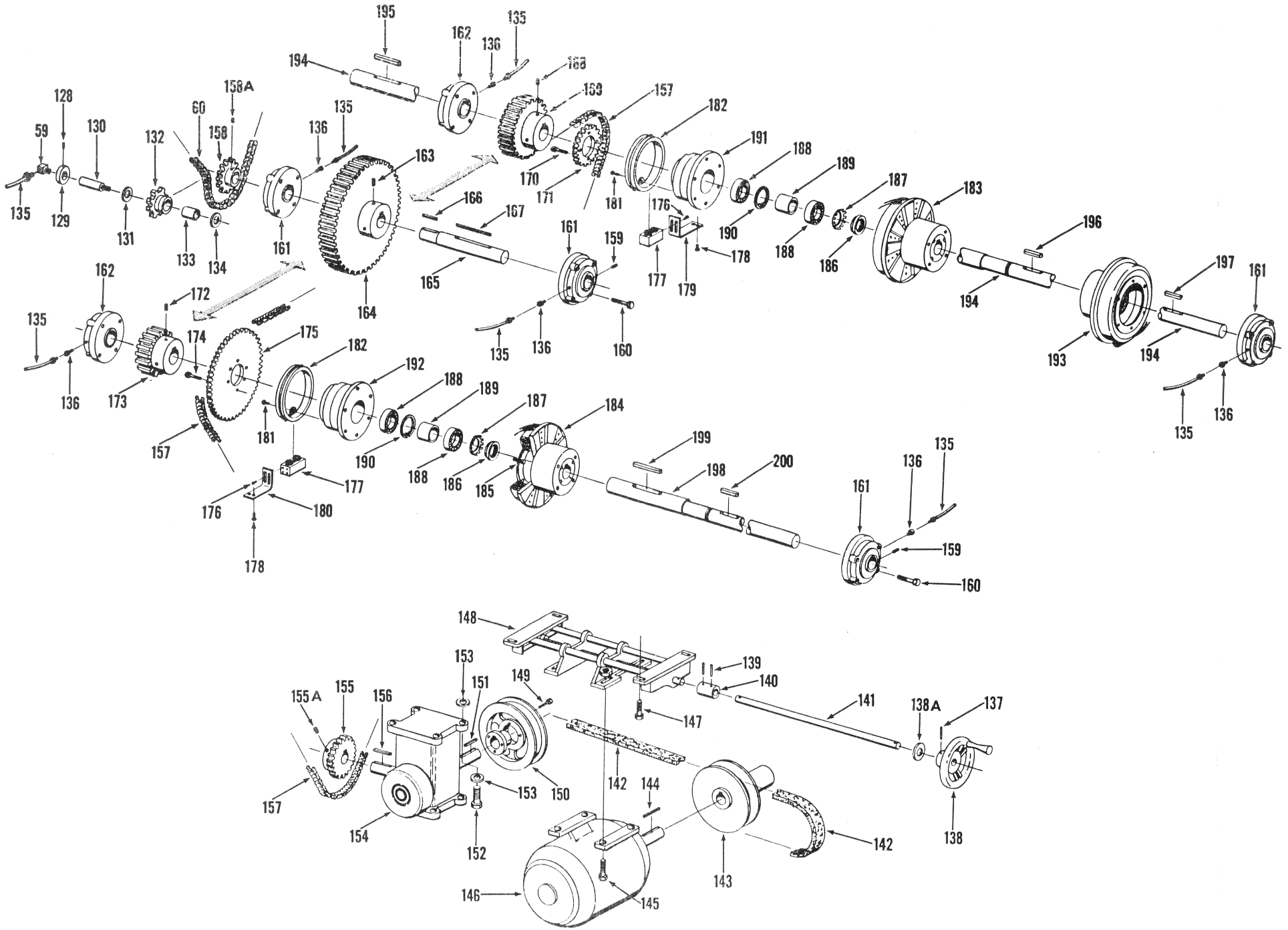


## UPPER ROLLS

1. Bevel Gear Roll Pins
2. Bevel Gears
3. Bevel Gear Thrust Washers
4. Bevel Gear Thrust Washers
5. Set Screw
6. Spring
7. Ball
8. Roll Adjustment Gear Roll Pins
9. Roll Adjustment Gears
10. Gear Engagement Shaft
11. Roll Adjustment Shaft
12. Engagement Shaft Knob
13. Sleeve Bushings
14. Sleeve Bushings
- 15R. Rear Roll Lifter Stud
- 15F. Front Roll Lifter Stud
16. Indicator Ring
- 16A. Ring Set Screw
17. Roll Adjustment Scale
18. Adjusting Nuts
19. Stud
20. Spring Washers
21. Spring
23. Cap Plate Pins
24. Ball Valve (Oil)
25. Pinch Roll Cap Plate  
(Parts 25 & 87 one piece on straightener)
26. Roller Shaft Roll Pin
27. Stock Guide Set Screws
28. Stock Guide Roller Shaft
29. Stock Guides
30. Shoulder Screw
31. Driven Gear
32. Bushing
33. Washers
34. Grease Fittings
35. Retainer Ring
37. Retainer Rings
38. Narrow Bushings
39. Roll Bearings
40. Thrust Washers
56. Adjustment Bar Set Screw
57. Lock Nut
59. Lube Fitting
60. Roll Driving Chain
63. Idler Sprocket
64. Adjustment Bar Mounting Screw
65. Washer
66. Chain Adjustment Bar
67. Shoulder Screw
68. Driven Gear
69. Bushing
70. Washer
71. Chain Sprockets
72. Driven Gear
- 72S. Driven Gear (Spacer on Straighteners)
73. Keys
74. Lower Straightening Roll
- 74P. Lower Pinch Roll (2)
75. Lower Straightening Roll  
(Located R.H. Side of Roll  
No. 74 on Straighteners)
76. Retainer Ring
77. Bearing
78. Thrust Washer
79. Set Screws
80. Stock Guide Collar
81. Stock Guide Roll
128. Set Screw
129. Idler Sprocket Collar
130. Chain Tightener Shaft
131. Thrust Washer
133. Needle Bearing
134. Thrust Washer
135. Lube Line

## LOWER ROLLS

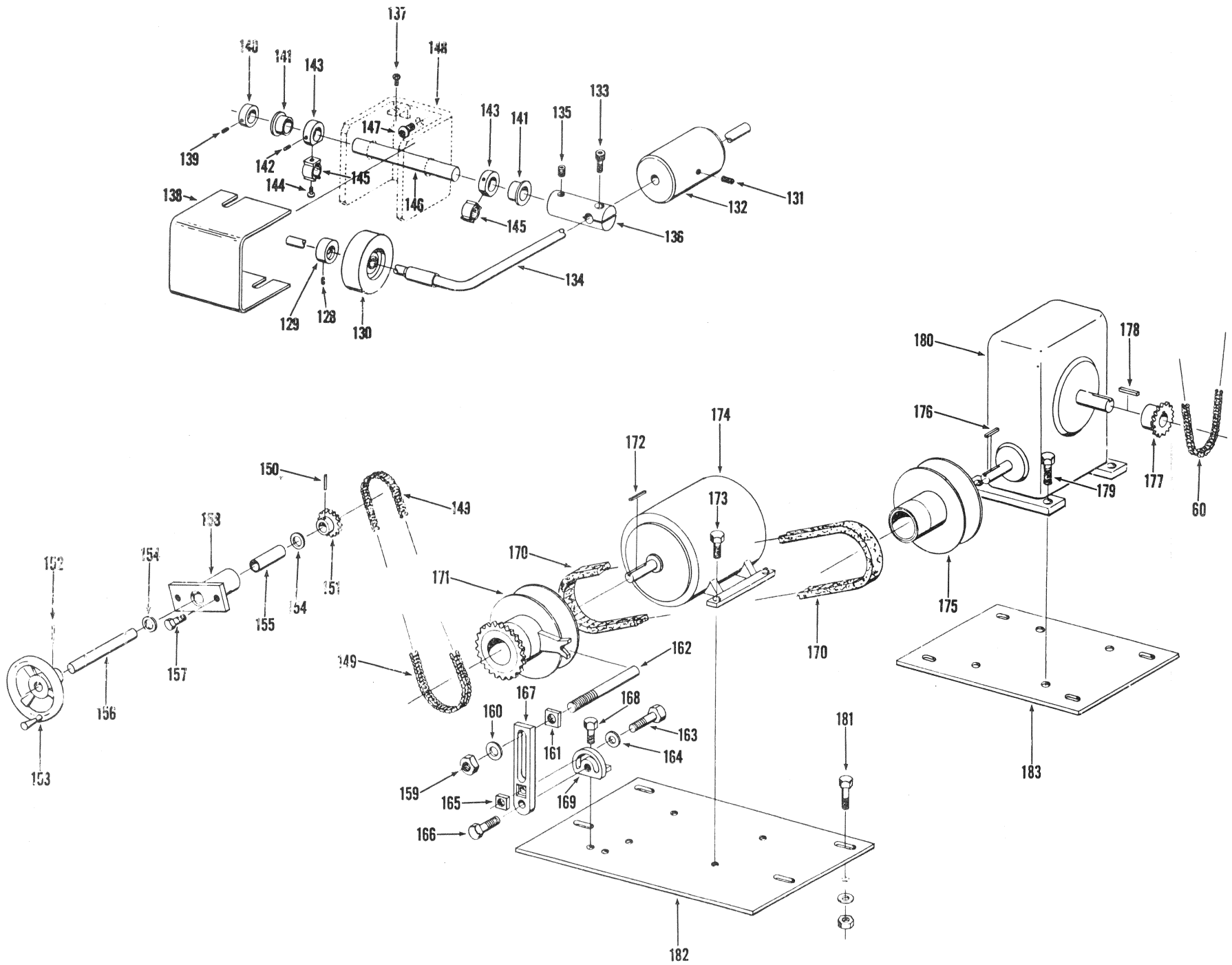
30. Shoulder Screw (21211035)  $\frac{3}{4} \times 1\frac{1}{2}$
  31. Driven Gear P 74802
  32. Bushing (21624002) A0838-2
  33. Washers
  34. Grease Fittings
  35. Retainer Ring
  37. Retainer Rings
  38. Narrow Bushings
  39. Roll Bearings
  40. Thrust Washers
  56. Adjustment Bar Set Screw
  57. Lock Nut
  59. Lube Fitting
  60. Roll Driving Chain
  63. Idler Sprocket
  64. Adjustment Bar Mounting Screw
  65. Washer
  66. Chain Adjustment Bar
  67. Shoulder Screw (21211035)  $\frac{3}{4} \times 1\frac{1}{2}$
  68. Driven Gear P 74801
  69. Bushing (21624002) A0838-2
  70. Washer
  71. Chain Sprockets
  72. Driven Gear
  - 72S. Driven Gear (Spacer on Straighteners)
  73. Keys
  74. Lower Straightening Roll
  - 74P. Lower Pinch Roll (2)
  75. Lower Straightening Roll  
(Located R.H. Side of Roll  
No. 74 on Straighteners)
  76. Retainer Ring
  77. Bearing
  78. Thrust Washer
  79. Set Screws
  80. Stock Guide Collar
  81. Stock Guide Roll
  128. Set Screw
  129. Idler Sprocket Collar
  130. Chain Tightener Shaft
  131. Thrust Washer
  133. Needle Bearing
  134. Thrust Washer
  135. Lube Line
- { 1 on 5 Roll Str./Feeders  
 { 2 on 7 Roll Str./Feeders  
 { 2 on all Straighteners  
 { 2 on all Str. Feeders  
 { 1 on 5 Roll Straighteners  
 { 2 on 7 Roll Straighteners



59. Lube Fitting  
60. Roll Driving Chain  
128. Set Screw  
129. Idler Sprocket Collar  
130. Chain Tightener Shaft  
131. Thrust Washer  
132. Idler Sprocket  
133. Needle Bearing  
134. Thrust Washer  
135. Lube Line  
136. Lube Fitting  
137. Roll Pin  
138. Speed Control Handwheel  
138A. Thrust Washer  
139. Roll Pins  
140. Coupling  
141. Speed Control Shaft  
142. Driving Belt  
143. Variable Pulley  
144. Motor Shaft Key  
145. Motor Mounting Screw  
146. Driving Motor  
147. Motor Base Mounting Screw  
148. Adjustable Motor Base  
149. Sheave Gripping Screws  
150. Companion Sheave (with tapered Bushing)  
151. Sheave Mounting Key  
152. Reducer Mounting Screw  
153. Mounting Screw Washer  
154. Speed Reducer  
155. Reducer Sprocket  
155A. Set Screw  
156. Reducer Sprocket Key  
157. Driving Chain  
158. Roll Driving Sprocket  
158A. Set Screw  
159. Set Screw  
160. Cartridge Mounting Screw  
161. Bearing Cartridge

162. Bearing Cartridge  
163. Set Screw  
164. Driven Gear  
165. Drive Shaft  
166. Driving Sprocket Key  
167. Driven Gear Key  
168. Set Screw  
169. High Speed Gear  
170. Sprocket Mounting Screw  
171. High Speed Sprocket  
172. Set Screw  
173. Low Speed Gear  
174. Sprocket Mounting Screw  
175. Low Speed Sprocket  
176. Brushholder Mounting Screw  
177. Brushholder  
178. Bracket Mounting Screw  
179. High Speed Brushholder Bracket  
180. Low Speed Brushholder Bracket  
181. Collector Mounting Screw  
182. Collector  
183. High Speed Clutch Assembly  
184. Low Speed Clutch Assembly  
185. Hub Mounting Screw  
186. Locknut  
187. Lockwasher  
188. Hub Bearings  
189. Bearing Spacer  
190. Retainer Ring  
191. High Speed Magnet Hub  
192. Low Speed Magnet Hub  
193. Brake Assembly  
194. High Speed Shaft  
195. High Speed Gear Key  
196. High Speed Clutch Key  
197. Brake Key  
198. Low Speed Shaft  
199. Low Speed Gear Key  
200. Low Speed Clutch Key

**DRIVE MODULE**  
(STRAIGHTENER/FEEDER ONLY)



LOOP CONTROL ASSEMBLY

- 128. Set Screw
- 129. Eccentric Nut
- 130. Stock Roller
- 131. Set Screw
- 132. Counterbalance Weight
- 133. Arm Adjusting Screw
- 134. Loop Control Arm
- 135. Coupling Set Screw
- 136. Loop Control Coupling
- 137. Cover Fastening Screw
- 138. Loop Control Cover
- 139. Collar Set Screw
- 140. Pin Collar
- 141. Flange Bearings
- 146. Loop Control Pin
- 147. Housing Fastening Screw
- 148. Loop Control Housing

SWITCH ASSEMBLY

- 142. Clamp Set Screw
- 143. Loop Control Clamps
- 144. Clip Fastening Screw
- 145. Mercury Switch Clip

VARIABLE SPEED DRIVE

- 60. Roll Driving Chain
- 149. Speed Control Chain
- 150. Sprocket Roll Pin

- 151. Speed Control Sprocket
- 152. Handwheel Roll Pin
- 153. Speed Control Handwheel
- 154. Thrust Washer
- 155. Sleeve Bushing
- 156. Speed Control Shaft
- 157. Bracket Fastening Screw
- 158. Speed Control Bracket
- 159. Nut
- 160. Washer
- 161. Nut
- 162. Pin
- 163. Screw
- 164. Washer
- 165. Nut
- 166. Screw
- 167. Support
- 168. Mounting Screw
- 169. Mounting Bracket
- 170. Driving Belt
- 171. Motor Pulley and Sprocket
- 172. Motor Key
- 173. Motor Mounting Screw
- 174. Driving Motor
- 175. Speed Reducer Pulley
- 176. Reducer Key
- 177. Reducer Sprocket
- 178. Reducer Key
- 179. Reducer Mounting Screw
- 180. Speed Reducer
- 181. Plate Mounting Screw
- 182. Motor Mounting Plate
- 183. Reducer Mounting Plate

DRIVE  
(STRAIGHTENER ONLY)